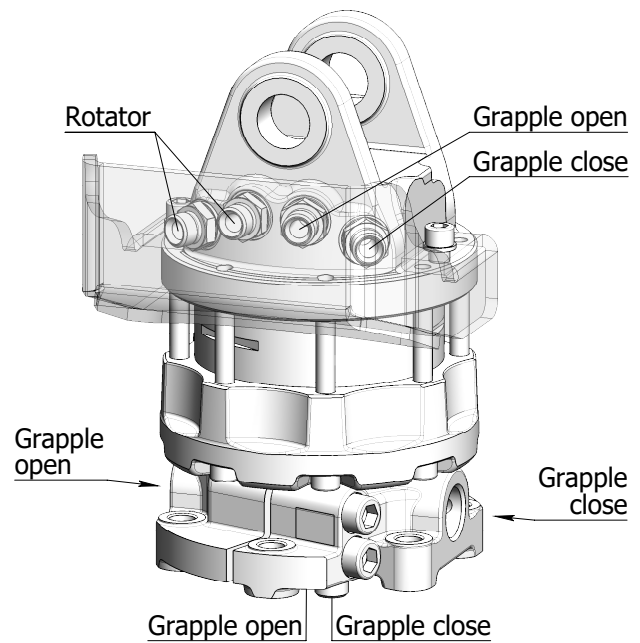
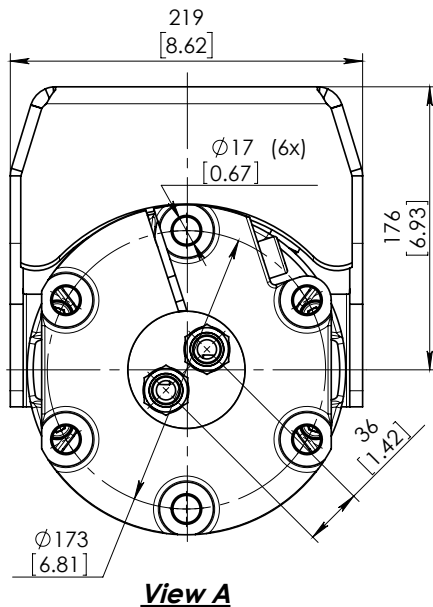
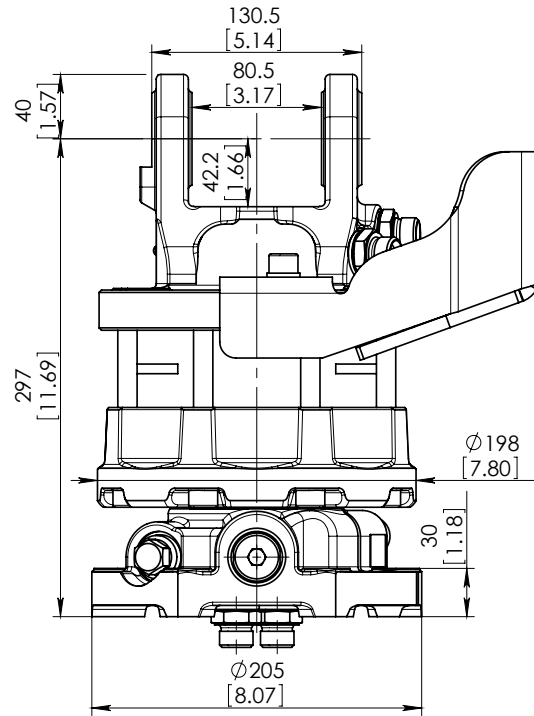
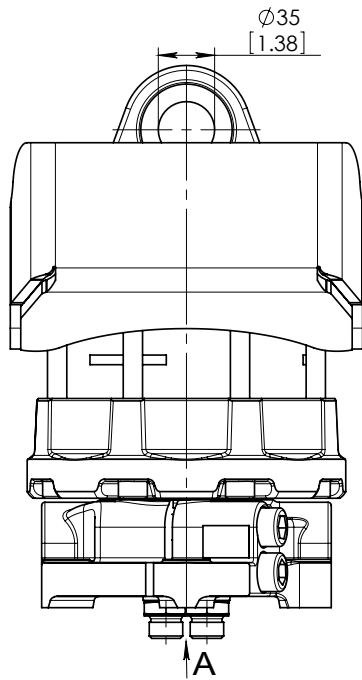


ROTATOR GR603DBX



Technical data

| | |
|---------------------------------------|-----------------------------|
| Rotation | Unlimited |
| Max axial load static, kN (lbf) | +60 (13491) - 50 (11242) |
| Max axial load dynamic, kN (lbf) | +30 (6745) - 25 (5621) |
| Torque at 25MPa (3625psi), Nm (lb ft) | 1800 (1328) |
| Rec oilflow, l/min (US gallon) | 25 (6.6) |
| Weight, kg (lb) | 46 (100) |

Max working pressure:

| | | | |
|----------------------|-----|-----------------------|-------|
| Rotator | ←R→ | Max 25 MPa (3625 psi) | G 1/2 |
| Grapple / Tool open | ←G→ | Max 20 MPa (2900 psi) | G 1/2 |
| Grapple / Tool close | →G← | Max 30 MPa (4350 psi) | G 1/2 |

Connection:

| |
|-------|
| G 1/2 |
| G 1/2 |
| G 1/2 |