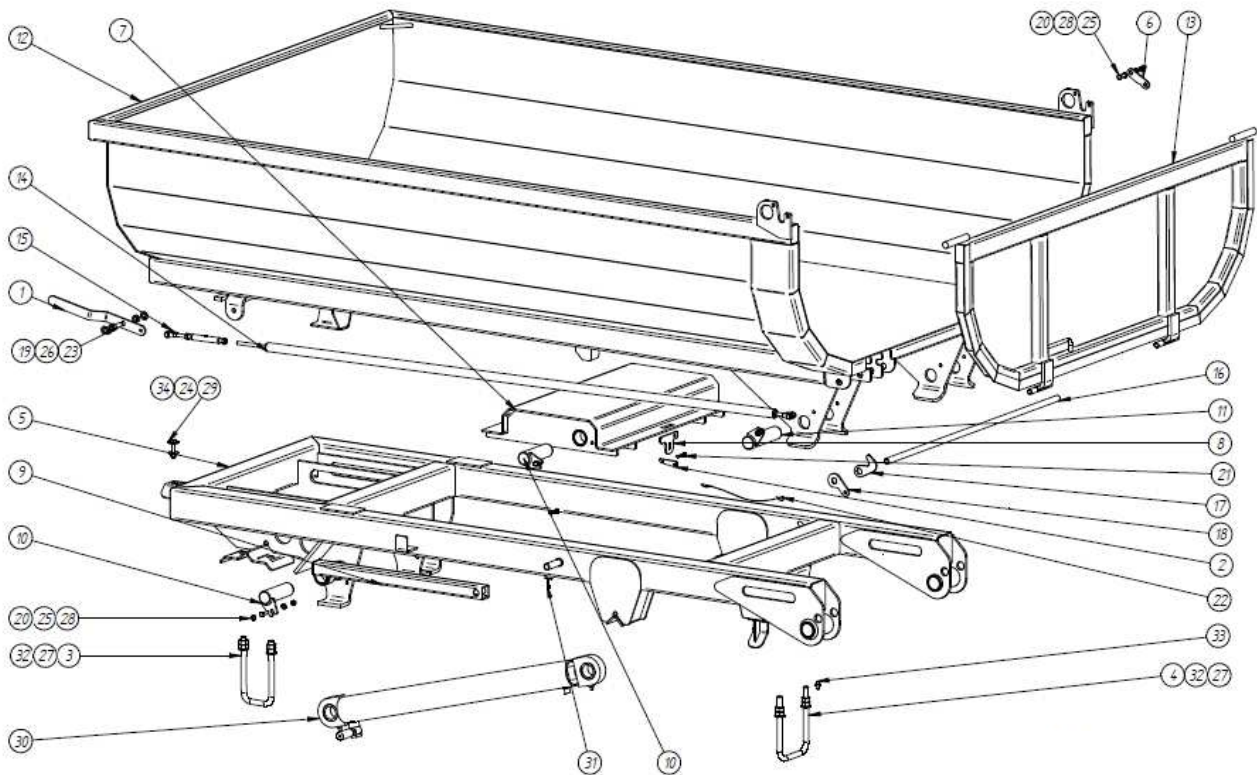


SPARE PARTS

FARMA TIPPING BODY T6/T9

TABLE OF CONTENTS:

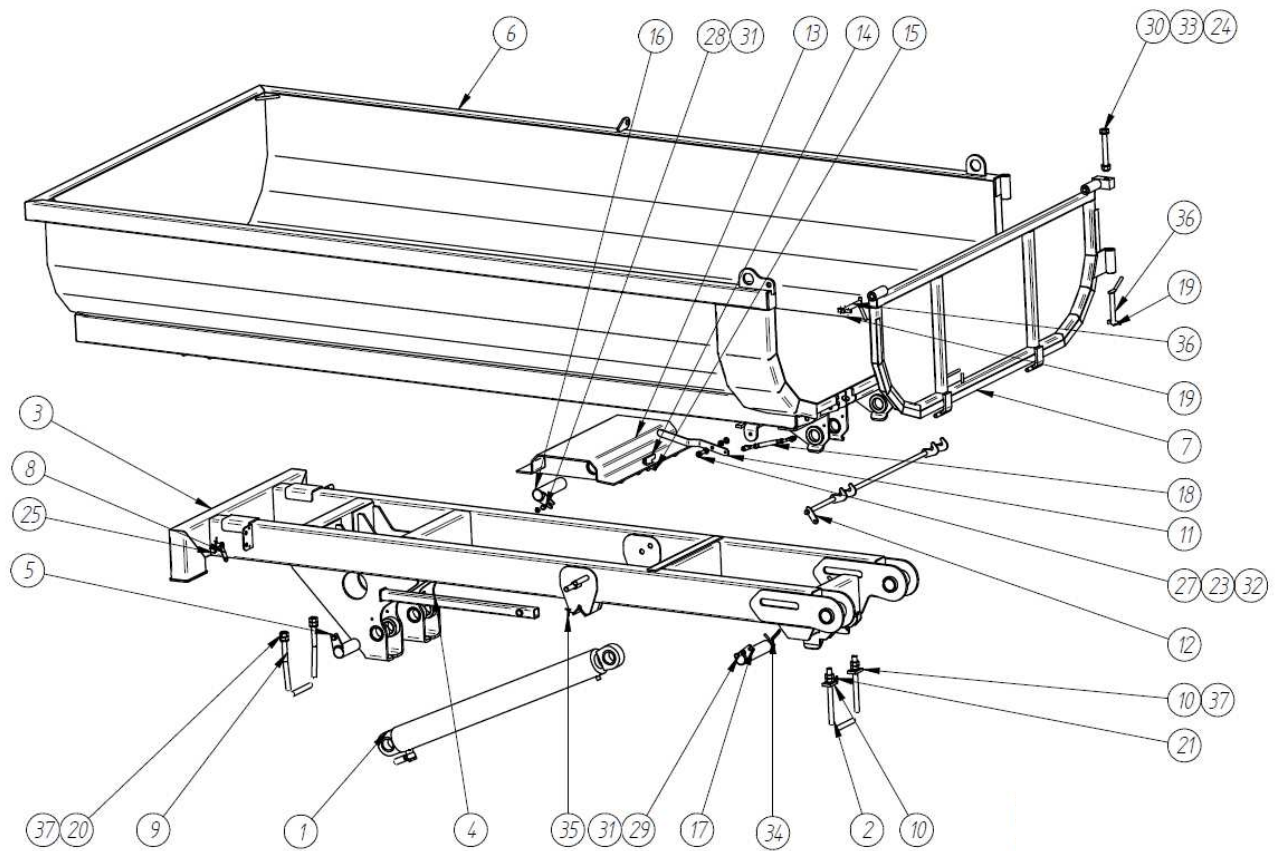
1	SPARE PARTS	2
1.1	COMPONENTS FTB T6	2
1.2	COMPONENTS FTB T9	4
1.3	HYDRAULIC SCHEME FTB T6	6
1.4	HYDRAULIC SCHEME FTB T9	7
2	TECHNICAL DATA	8
3	EC-DECLARATION OF CONFORMITY (SAMPLE)	9

1 SPARE PARTS
1.1 COMPONENTS FTB T6

REF: 150410
Farma Tipping body T6

ITEM NO.	PART NUMBER	DESCRIPTION	TYPE	QTY.
1	80-002.003	Handle		1
2	80-003.005	Wedge		2
3	82-000.001	U-bolt		2
4	82-000.002	U-bolt		1
5	82-001.000	Frame		1
6	82-002.007	Fixator		2
7	82-003.000	Cylinder frame		1

8	82-003.004	Plate		2
9	82-004.000	Safety support		1
10	82-005.000	Pin		4
11	82-007.000	Pin		2
12	82-008.000	Container body		1
13	82-009.000	Door body		1
14	82-013.000	Shaft		1
15		Rigging screw	VRH10	1
16	82-002.004	Rod		1
17	82-002.005	Hook		1
18	82-002.006	Plate		1
19		Nut M12 DIN 985		1
20		Nut M8 DIN 985		10
21		Cotter pin d2 DIN 11024		2
22		Safety wire (L=600 mm)		1
23		Bolt M12x40 DIN 912		1
24		Bolt M10x50 DIN 933		1
25		Bolt M8x30 DIN 933		10
26		Washer M12 DIN 125		2
27		Washer M16 DIN 125		6
28		Washer M8 DIN 125		20
29		Washer d10 DIN 9021		2
30		Cylinder	70-40-715-935GE40x2	2
		Sealing kit 70/40	37313740	
31		Spit pin d6,3x50 DIN 94		1
32		Nut M16 DIN 934		12
33		Grease nipple M8x1		2
34		Nut M10 DIN 985		1
ITEM NO.	PART NUMBER	DESCRIPTION	TYPE	QTY.

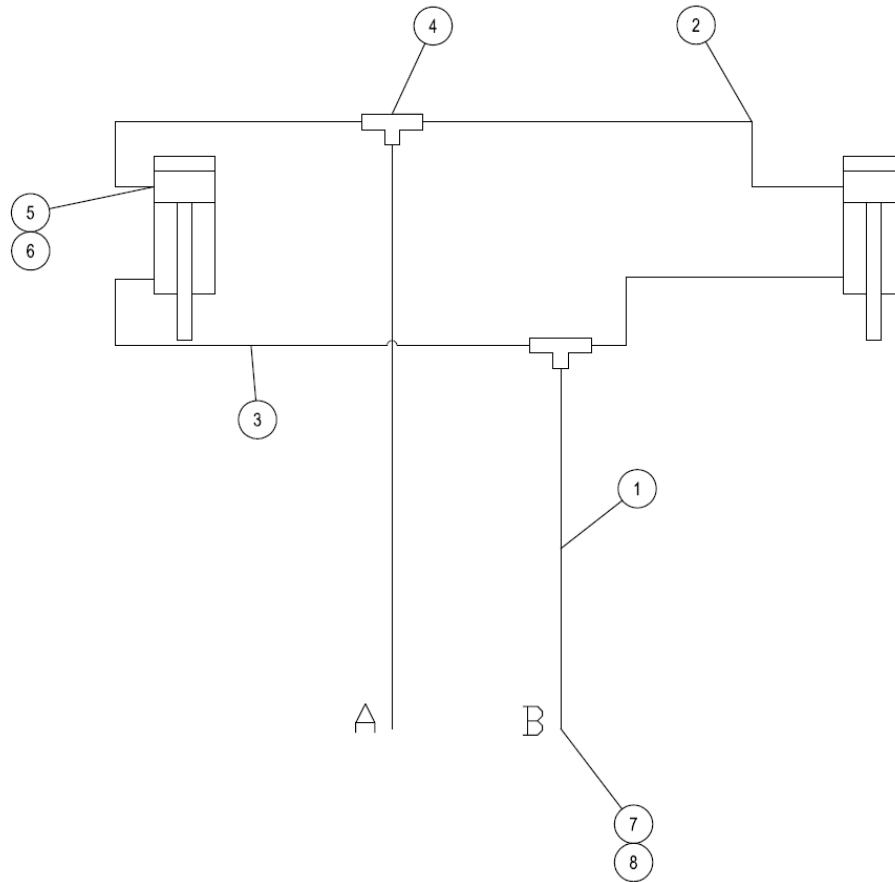
REF: 150410

1.2 COMPONENTS FTB T9

REF: 151020
Farma Tipping body T9

ITEM NO.	PART NUMBER	DESCRIPTION	TYPE	QTY.
1	100-60-950-1200GE50x2	Cylinder	100-60-950-1200GE50x2	2
2	131.000.001	U-bolt	S355	2
3	131.001.000	Frame		1
4	131.004.000	Safety support		1
5	131.005.000	Pin		2
6	131.008.000	Container body		1
7	131.009.000	Door body		1
8	131.012.000	Pin		2
9	80-000.002	U-bolt	S355	1
10	80-000.003	Plate	S235	4
11	80-002.003	Handle	S235	1
12	80-002.100	Lock		1
13	80-003.000	Cylinder frame		1

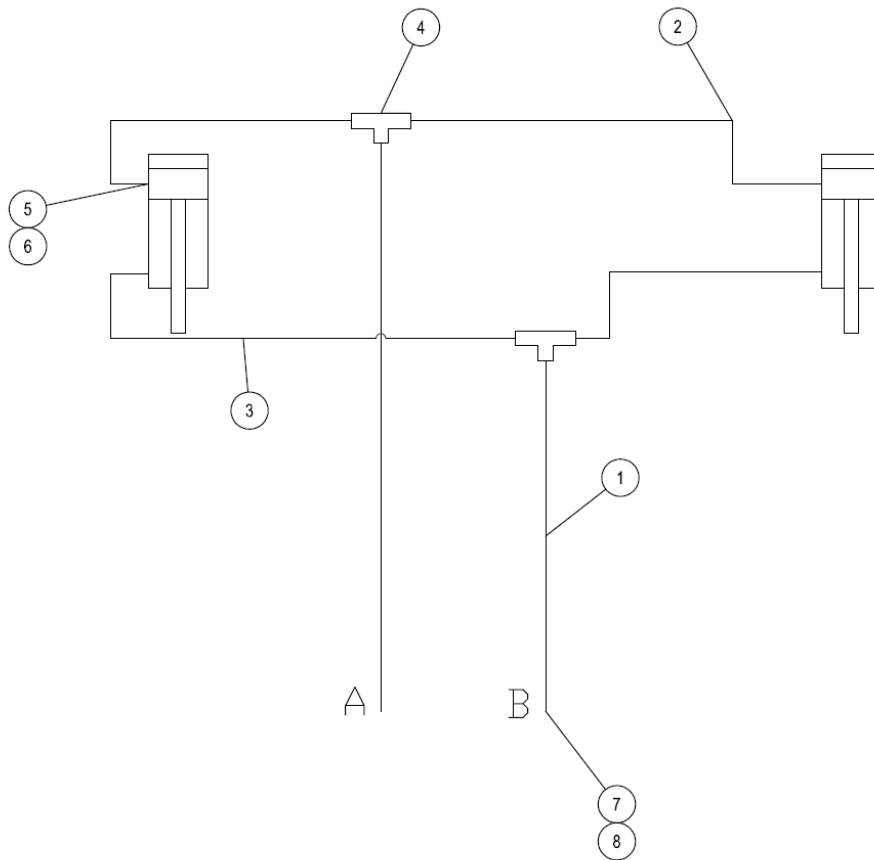
14	80-003.004	Plate	S235	2
15	80-003.005	Wedge	S235	2
16	80-006.000	Pin		2
17	80-007.000	Pin		2
18	VRH10	Rigging screw M10		1
19	x	Cotter pin d12	DIN 11023	2
20	x	Nut M20	DIN 934	12
21	x	Grease nipple	M8x1	2
22	x	Grease nipple	DIN71418A M6	1
23	x	Nylock nut M12	DIN 985	1
24	x	Nylock nut M16	DIN 985	1
25	x	Cotter pin - 3mm	DIN 11024	2
26	x	Safety wire	Steel	1
27	x	Bolt M12x40	DIN 912	1
28	x	Bolt M10x25	DIN 933	4
29	x	Bolt M10x30	DIN 933	2
30	x	Bolt M20x170	ISO 4014	1
31	x	Washer M10	DIN 125	7
32	x	Washer M12	DIN 125	2
33	x	Washer M20	DIN 125	2
34	x	Split pin 10x80	DIN 94	2
35	x	Splint 6,3x50	DIN 94	1
36	x	Pin T0484		2
37	x	Spring washer M20	DIN 127	6
ITEM NO.	PART NUMBER	DESCRIPTION	TYPE	QTY.

REF: 151020

1.3 HYDRAULIC SCHEME FTB T6

REF: 151020
**Hydraulic scheme, FTB T6
FMWH00036**

ITEM NO.	PART NO.	DESCRIPTION	TYPE	QTY.
1	FMWH00591	H-hose	42010606-3/8(3900)-42020606	2
2	FMWH00592	H-hose	42010606-3/8(1010)-42800606	2
3	FMWH00593	H-hose	42010606-3/8(250)-42800606	2
4	914784	T- nipple	7403-06-06; G3/8"MxG3/8"MxG3/8"FS	2
5	914441	Banjo bolt	4280-01-06	4
6	914582	Rubber seal	5601-01-06	8
7	914570	Bayonett male	5550-02-08 M 1/2"	2
8	914579	Dust cover	5550-04-08; 1/2"F Black	2
9	922227	Heat-shrink tubing	SRIF 25,4-12,7	2
10	925032	Label No2 Pump Red		1
11	925034	Label No3 Tank Blue		1

REF: 151020

1.4 HYDRAULIC SCHEME FTB T9

REF: 151020
**Hydraulic scheme, FTB T9
FMWH00037**

ITEM NO.	PART NO.	DESCRIPTION	TYPE	QTY.
1	FMWH00594	H-hose	42010606-3/8(4800)-42020606	2
2	FMWH00595	H-hose	42010606-3/8(1100)-42800606	2
3	FMWH00596	H-hose	42010606-3/8(120)-42800606	2
4	914784	T- nipple	7403-06-06; G3/8"MxG3/8"MxG3/8"FS	2
5	914441	Banjo bolt	4280-01-06	4
6	914582	Rubber seal	5601-01-06	8
7	914570	Bayonett male	5550-02-08 M 1/2"	2
8	914579	Dust cover	5550-04-08; 1/2"F Black	2
9	922227	Heat-shrink tubing	SRIF 25,4-12,7	2
10	925032	Label No2 Pump Red		1
11	925034	Label No3 Tank Blue		1

REF: 151020

2 TECHNICAL DATA

FARMA Tipping body T6:

Max. load capacity	3 500 kg
Volume capacity	1,8 m ³
Length	2 540 mm
Width	1 660 mm
Height of box (inside)	492 mm
Thickness of box's bottom sheet	3 mm
Weight tipp chassis + tip frame	560 kg
Tipping angle	52degrees
Working pressure	180 bar

FARMA Tipping body T9:

Max. load capacity	8 000 kg
Volume capacity	3,5 m ³
Length	3 650 mm
Width	1 920 mm
Height of box (inside)	585 mm
Thickness of box's bottom sheet	4 mm
Weight tipp chassis + tip frame	1 132 kg
Tipping angle	51 degrees
Working pressure	180 bar

REF: 151020

3 EC-DECLARATION OF CONFORMITY (SAMPLE)

Declaration of incorporation of partly completed machinery

Manufacturer:

Fors MW AS

Tule 30

76505 Saue

Estonia

The technical documentation is compiled by **Peter Kastberg**;

I hereby confirm that this equipment, **FARMA Tipping body**:

Trade mark: **FARMA**

Function: **Tipping body**

Model: **FTB T9**

Type: **FTB9**

Serial no.: **FTB009XXXXXXXX**

Trade name: **FARMA Tipping Body T9**

Manufacture year: **2015**

Fulfils requirements of the **directive 2006/42/EC** and all the relevant technical documentation is compiled and applied in accordance with this Directive.

AS Fors MW undertakes to transmit, in response to a reasoned request by the national authorities, relevant information on the partly completed machinery.

Note! The partly completed machinery must not be put into service until the final machinery which the part will be used with has been declared in conformity with the directive 2006/42/EC.

For the guarantee and safety, it is of uttermost significance that the instruction book is read before the machine is put into service.



Peter Kastberg
CEO

Saue, Estonia

2015-12-03