

# SPARE PARTS

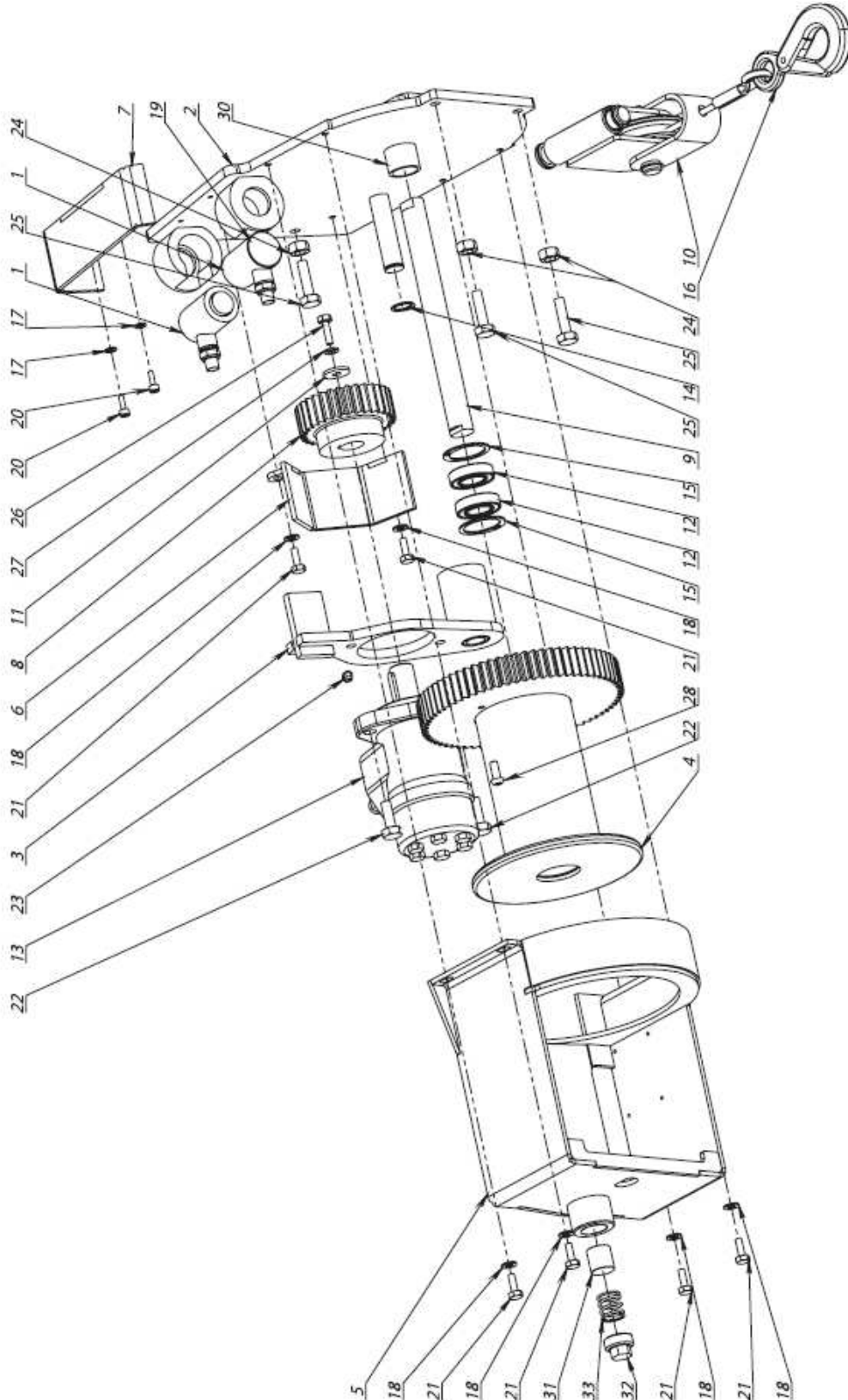
## RW1300

### TABLE OF CONTENTS

1	SPARE PARTS.....	2
1.1	WINCH RW1300 .....	2
1.2	HYDRAULIC SCHEMES, VALVE BLOCK.....	4
1.3	HYDRAULIC SCHEME, WINCH .....	7
2	TECHNICAL SPECIFICATIONS .....	8
2.1	MAIN PARTS & DIMENSIONS.....	8
2.2	TECHNICAL DATA.....	9
2.3	LUBRICATION .....	9
3	SERVICE BULLETIN.....	10
4	EC DECLARATION (SAMPLE).....	11

**1 SPARE PARTS**

**1.1 WINCH RW1300**

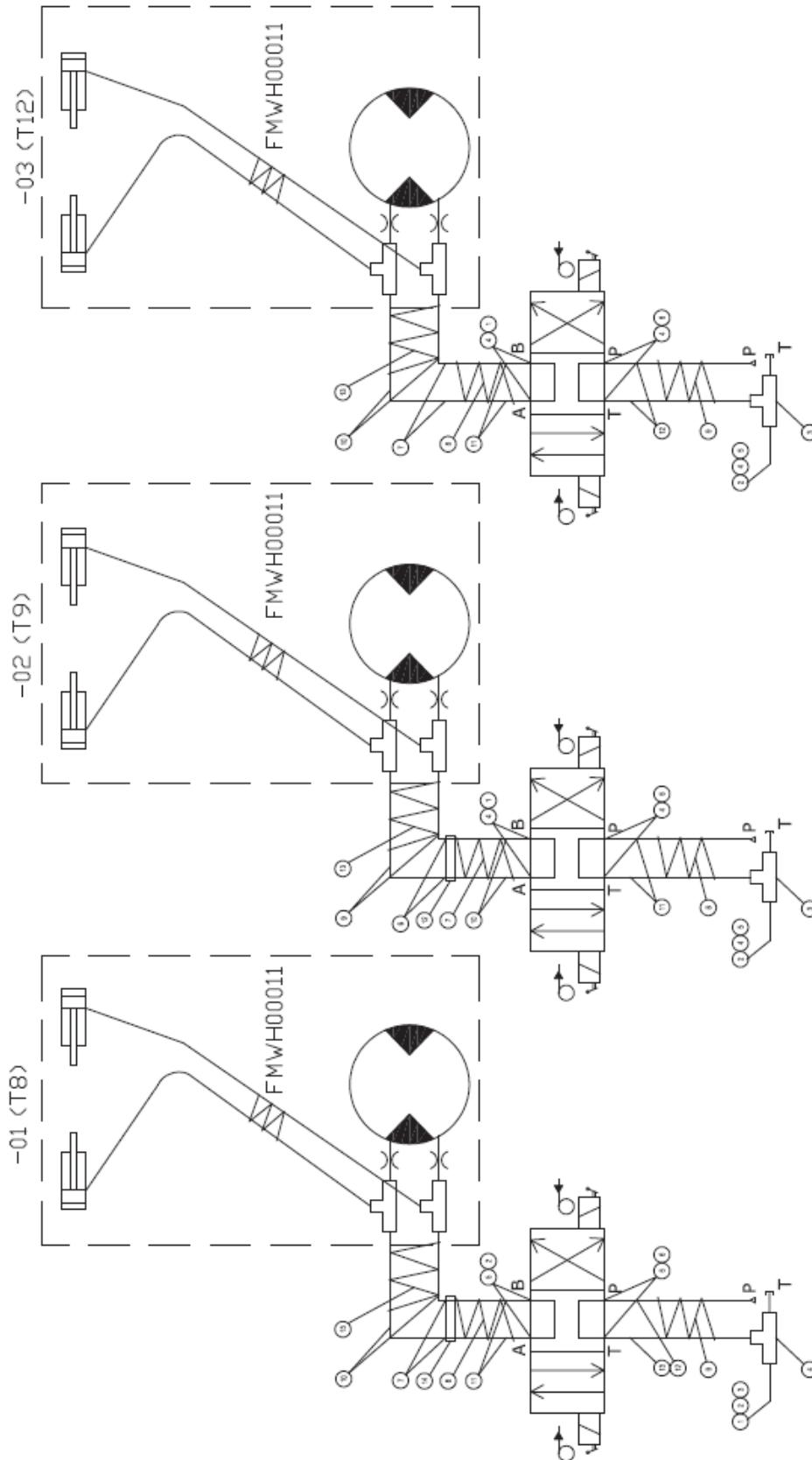


**SPARE PARTS, RW1300**

ITEM NO.	PART NUMBER	DESCRIPTION	TYPE	QTY.
1	313171	Hydraulic cylinder	25/25-25 RW 1300	2
2	FMWS00417	Wall	Winch RW 1300	1
3	FMWS00418	Motor lever	Winch RW 1300	1
4	FMWS00561	Drum	Winch RW 1300	1
5	FMWS00562	Drum cover	Winch RW 1300	1
6	FMWS00563	Wheel cover	Winch RW 1300	1
7	FMWS00586	Cylinder cover	Winch RW 1300	1
8	FMWP02032	Gear wheel	m3 z32	1
9	FMWP03011	Shaft	GRND25-260	1
10	FMWA00203	Winch Block	Winch RW 1300	1
11	9082212	Washer	M8 DIN 440 R	1
12	910112	Bearing	6205 2RS	2
13	915320	Hydraulic motor	MP160	1
14	911250	Lock-ring	SGA 20, DIN 471	1
15	911120	Lock ring	SGH47 DIN 472	2
16	920240	Winch wire	6mm 35m+hook	1
17	908218	Washer flat	M6 DIN 125	2
18	908221	Washer flat	M8 DIN125	6
19	FMWP03466	Shim	PLT0,5-D38	2
20	906501	Bolt Hex. Socket	M6x16 DIN 912	2
21	906158	Bolt Hex. Cap	M8x20 DIN 933	6
22	906195	Bolt Hex. Cap	M12x30 DIN 933	2
23	930105	Grease nipple	1/8" DIN 71412	1
24	907222	Nut Hex.	M12 DIN 934	3
25	906201	Bolt Hex. Cap	M12x40 DIN 933	3
26	906160	Bolt Hex. Cap	M8x25 DIN 933	1
27	908615	Washer Spring	M8 DIN 127	1
28	906171	Bolt Hex. Socket	M8x20 DIN 7380	1
29	FMWH00011	Winch hydraulic scheme		1
30	FMWP04160	Tube	ST33,5x3,2-16,5	1
31	FMWP04181	Bush	Rnd 25-25	1
32	920501	Compression spring	2,5x20x25	1
33	906962	Hex.head plug	DIN 909 M30x1,5 Zn	1

**REF: 140207**

1.2 HYDRAULIC SCHEMES, VALVE BLOCK



**SPARE PARTS, HYDRAULIC SCHEME - VALVE BLOCK  
Trailer T8**

<b>FMWH00016-01 Farma T8</b>			
<b>Pos. No.</b>	<b>Article number</b>	<b>Description</b>	<b>Number</b>
1	914582	Tredo 5601-01-06	1
2	914718	Straight nipple 7002-06-08	3
3	914758	Angle adapter adjustable 90° 7203-08-08	1
4	914788	T-nipple 7404-08-08	1
5	914584	Tredo 5601-01-08	4
6	914720	Straight nipple 7002-08-08	2
7	914750	Bulkhead connection nipple 7090-06-06	2
8	930320	Hose cover 32x3-1500	1,5
9	930330	Hose cover 50x3,5-1500	1,5
10	FMWH00334	Hose 42010606-3/8(630)-42010606	2
11	FMWH00335	Hose 42010606-31/2(1340)-42030606	2
12	FMWH00362	Hose 42010808-1/2(2450)-42030808	1
13	FMWH00363	Hose 42030808-1/2(2500)-42030808	1
14	FMWP03637	Adapter PLT4-90x60	1
15	930320	Hose cover 32x3-600	0,6
	906954	Pipe plug ¼" DIN 906	1

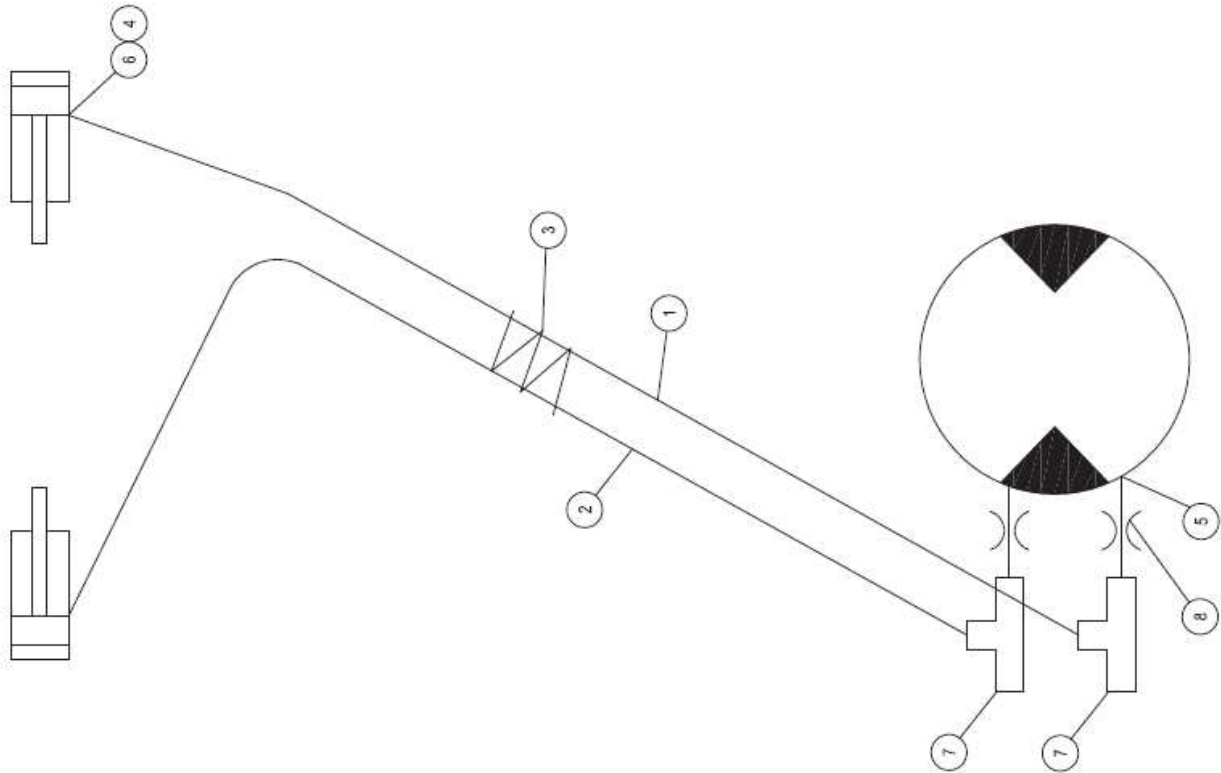
**Trailer T9 and T10**

<b>FMWH00016-02 Farma T9</b>			
<b>Pos. No.</b>	<b>Article number</b>	<b>Description</b>	<b>Number</b>
1	914718	Straight nipple 7002-06-08	2
2	914758	Angle adapter adjustable 90° 7203-08-08	1
3	914788	T-nipple 7404-08-08	1
4	914584	Tredo 5601-01-08	5
5	914720	Straight nipple 7002-08-08	3
6	914750	Bulkhead connection nipple 7090-06-06	2
7	930320	Hose cover 32x3-2400	2,4
8	930330	Hose cover 50x3,5-2700	2,7
9	FMWH00334	Hose 42010606-3/8(630)-42010606	2
10	FMWH00364	Hose 42030808-1/2(2500)-42010808	2
11	FMWH00365	Hose 42010606-3/8(2250)-42030606	2
12	FMWP03637	Adapter PLT4-90x60	1
13	930320	Hose cover 32x3-600	0,6
	906954	Pipe plug ¼" DIN 906	5

**Trailer T12**

<b>FMWH00016-03 Farma T12</b>			
<b>Pos. No.</b>	<b>Article number</b>	<b>Description</b>	<b>Number</b>
1	914718	Straight nipple 7002-06-08	2
2	914757	Angle adapter adjustable 90° 7203-12-12	1
3	914790	T-nipple 7404-12-12	1
4	914584	Tredo 5601-01-08	5
5	914722	Straight nipple 7002-08-12	1
6	914720	Straight nipple 7002-08-08	2
7	914750	Bulkhead connection nipple 7090-06-06	2
8	930320	Hose cover 32x3-2400	2,4
9	930330	Hose cover 50x3,5-2700	2,7
10	FMWH00368	Hose 42010606-3/8(580)-42010606	2
11	FMWH00369	Hose 42011212-3/4(2550)-42010812	2
12	FMWH00370	Hose 42010606-3/8(2700)-42010601	2
13	930320	Hose cover 32x3-600	0,6
	906954	Pipe plug ¼" DIN 906	1

1.3 HYDRAULIC SCHEME, WINCH

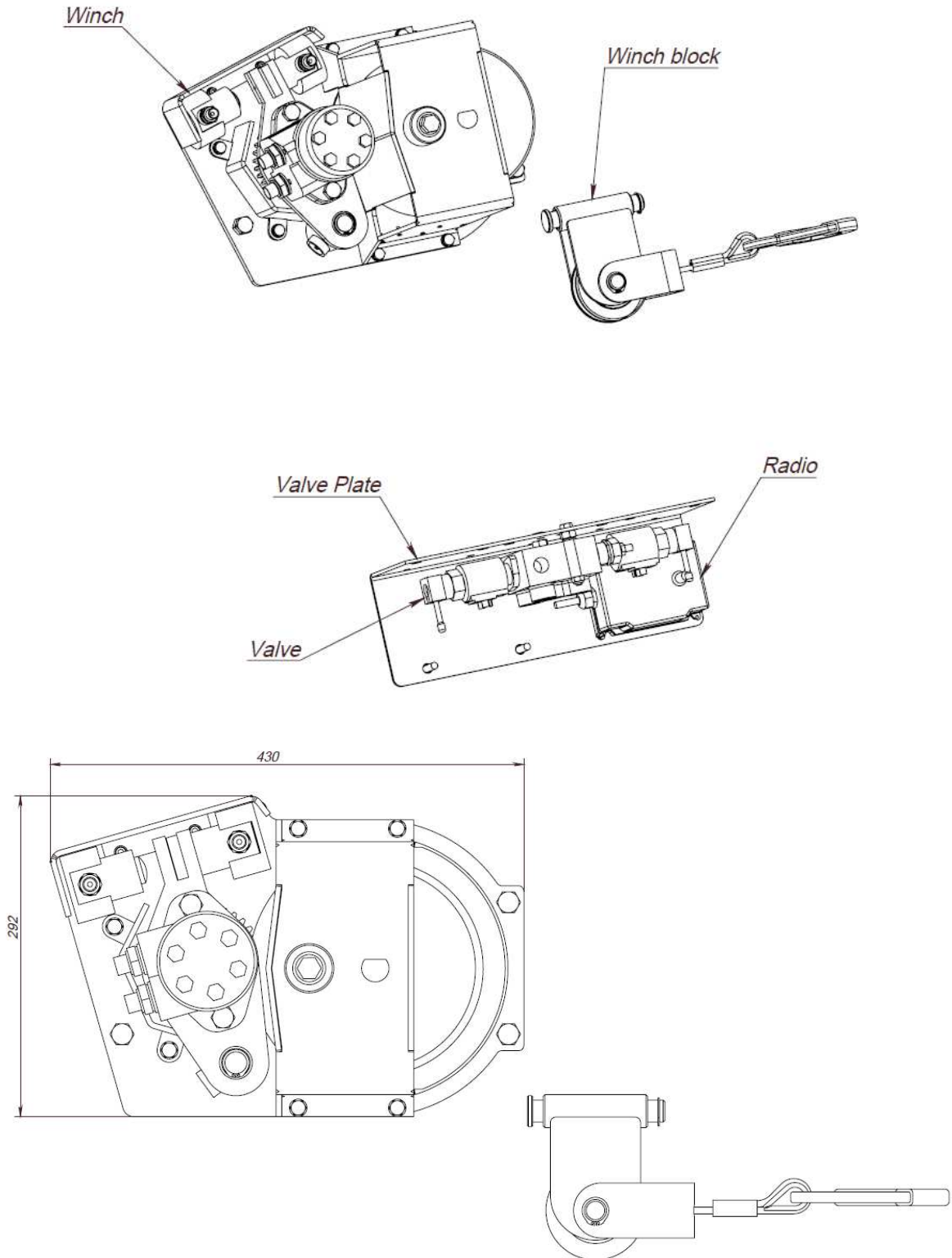


SPARE PARTS, HYDRAULIC SCHEME – WINCH

Winch hydraulics FMWH00011			
Pos. No.	Article number	Description	Number
1	FMWH00366	Hose 42010606-3/8(500)-42050606	1
2	FMWH00367	Hose 42030606-3/8(540)-42030606	1
3	930320	Hose cover 32x3-450	0,45
4	914580	Tredo 5601-01-04 R1/4"	2
5	914584	Tredo 5601-01-08 R1/2"	2
6	914707	Straight nipple 7002-04-06	2
7	914787	T-nipple 7404-06-06	2
8	914712	Straight nipple choke (3mm) 7092-06-08	2

## 2 TECHNICAL SPECIFICATIONS

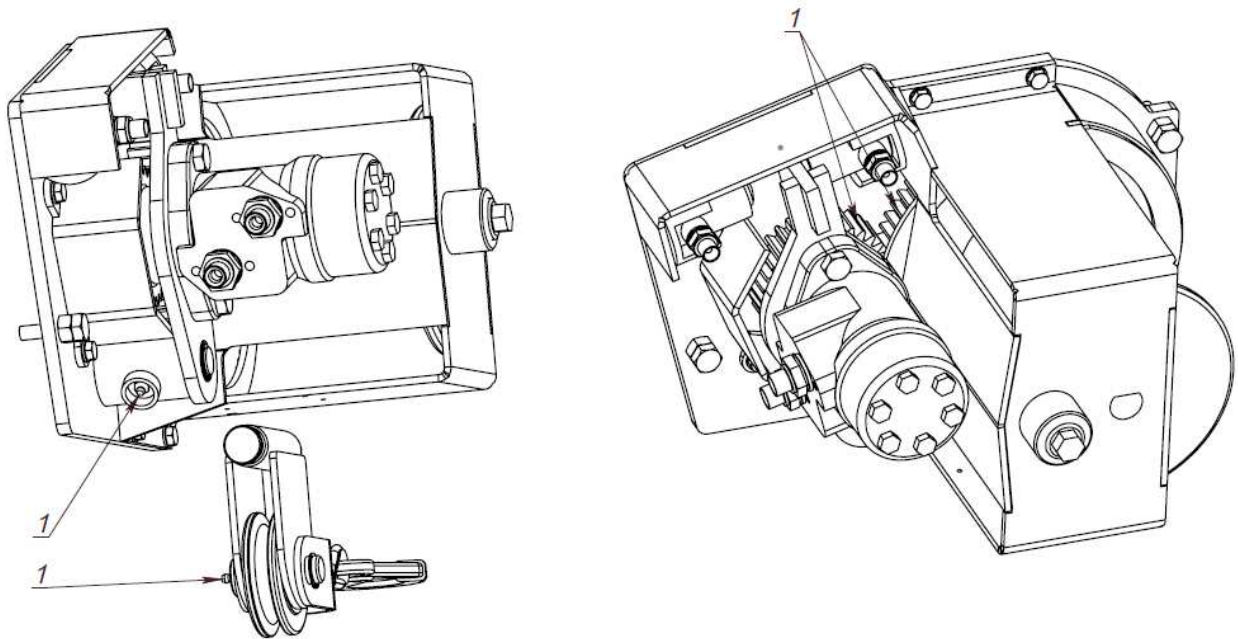
### 2.1 MAIN PARTS & DIMENSIONS





**2.2 TECHNICAL DATA**

<b>RADIO CONTROLLED WINCH</b>	<b>RW1300</b>
Traction force at 175 bar	1300 kg
Line speed at 40 l/min (m/sec)	0,8 m/sec
Cable length	35 m
Cable diameter	6 mm
Weight, incl. winch, cable, pulley.	52 kg
Radio control	2-channel

**2.3 LUBRICATION**


### 3 SERVICE BULLETIN

**Important information about connecting electrical and hydraulic equipment**

#### Electrical cables

Electrical cables must be connected with a separate supply through a fused terminal block from the battery.

Cable markings		
+		Brown cable (or number 1)
Earth		Blue cable (or number 2)

#### Hydraulic lines

Hydraulic hose connections should preferably be connected with a separate return tank. Avoid operating via a double acting outlet.

Line markings	
<b>Red</b>	Pressure
<b>Blue</b>	Return
<b>Yellow</b>	Brake line
<b>White</b>	Load sensing signal

Separate return tank means directly into the tank.

To avoid problems when connecting to the towing vehicle, always start with the return, then the pressure line and then in reverse order when disconnecting. Start by removing the pressure line when disconnecting.

**NOTE:** Protect your eyes and skin from oil when connecting and disconnecting!

#### 4 EC DECLARATION (SAMPLE)

### *Declaration of incorporation of partly completed machinery*

Manufacturer:

**Fors MW AS**

Tule 30

76505 Saue

Estonia

The technical documentation is compiled by **Peter Kastberg**;  
I hereby confirm that this equipment, **FARMA winch RW1300**:

Trade mark: **FARMA**

Function: **Radio controlled winch**

Model: **RW1300**

Type: **FW** variant: **RW1300**

Serial no.: **FW1300xxxxxxxx**

Trade name: **FARMA RW1300**

Manufacture year: **xxxx**

fulfils requirements of the **directive 2006/42/EC** and all the relevant technical documentation is compiled and applied in accordance with this Directive.

AS Fors MW undertakes to transmit relevant information on the partly completed machinery, in response to a reasoned request by the national authorities,

**Note!** The partly completed machinery must not be put into service until the final machinery which the part will be used with has been declared in conformity with the directive 2006/42/EC.

*For the guarantee and safety, it is of uttermost significance that the instruction book is read before the machine is put into service.*

Saue, Estonia

2014-04-22



Peter Kastberg  
CEO