



FARMMA®

Grapple bucket

EN_S2.0-2019W21

Original instruction

SPARE PARTS

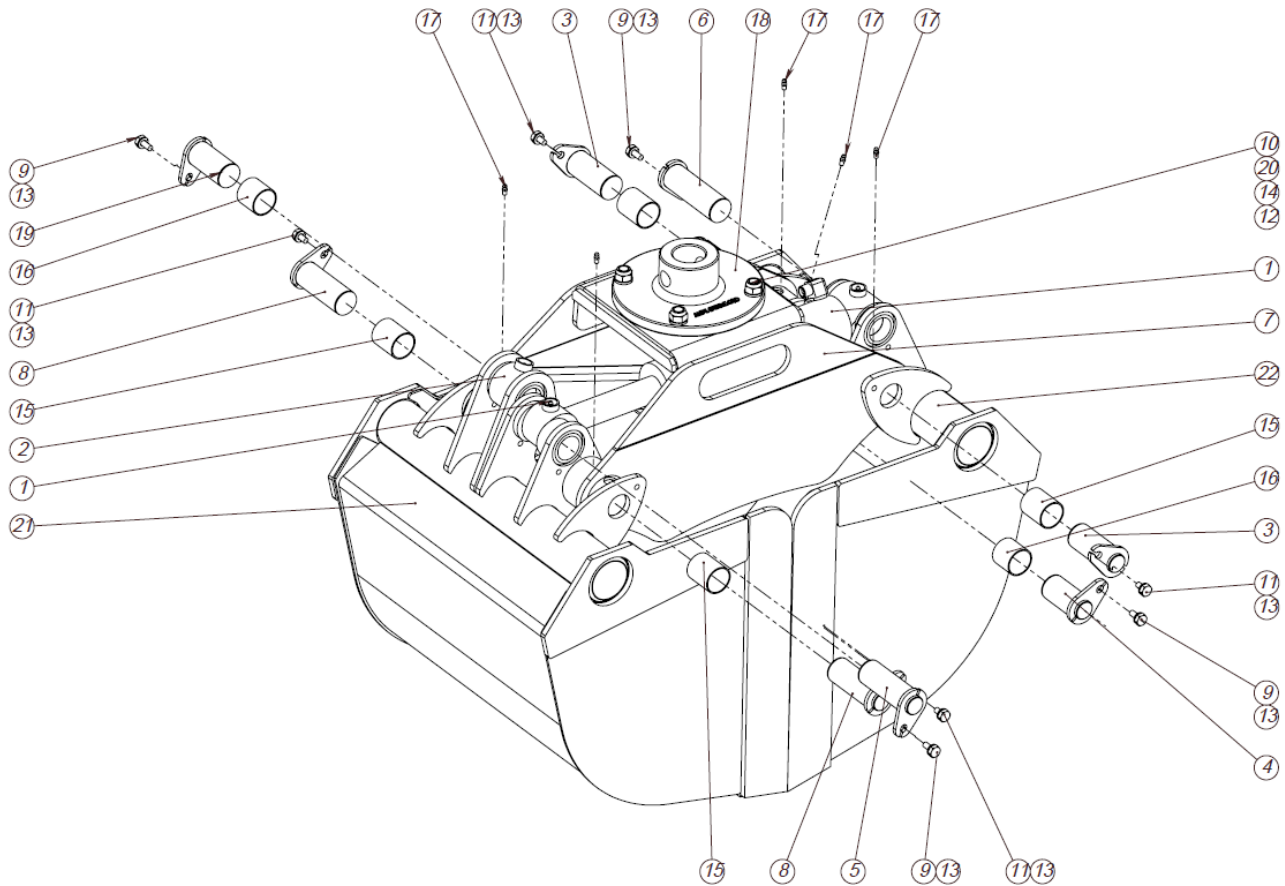
SPARE PARTS

GRAPPLE BUCKET

160L

200L

1	SPARE PARTS	2
1.1	MAIN PARTS, GRAPPLE BUCKET 160L.....	2
1.2	MAIN PARTS, GRAPPLE BUCKET 200L.....	4
1.3	HYDRAULIC SCHEME	6
2	TECHNICAL SPECIFICATION	7
2.1	MEASUREMENTS & TECHNICAL DATA	7
2.2	LUBRICATION POINTS.....	7

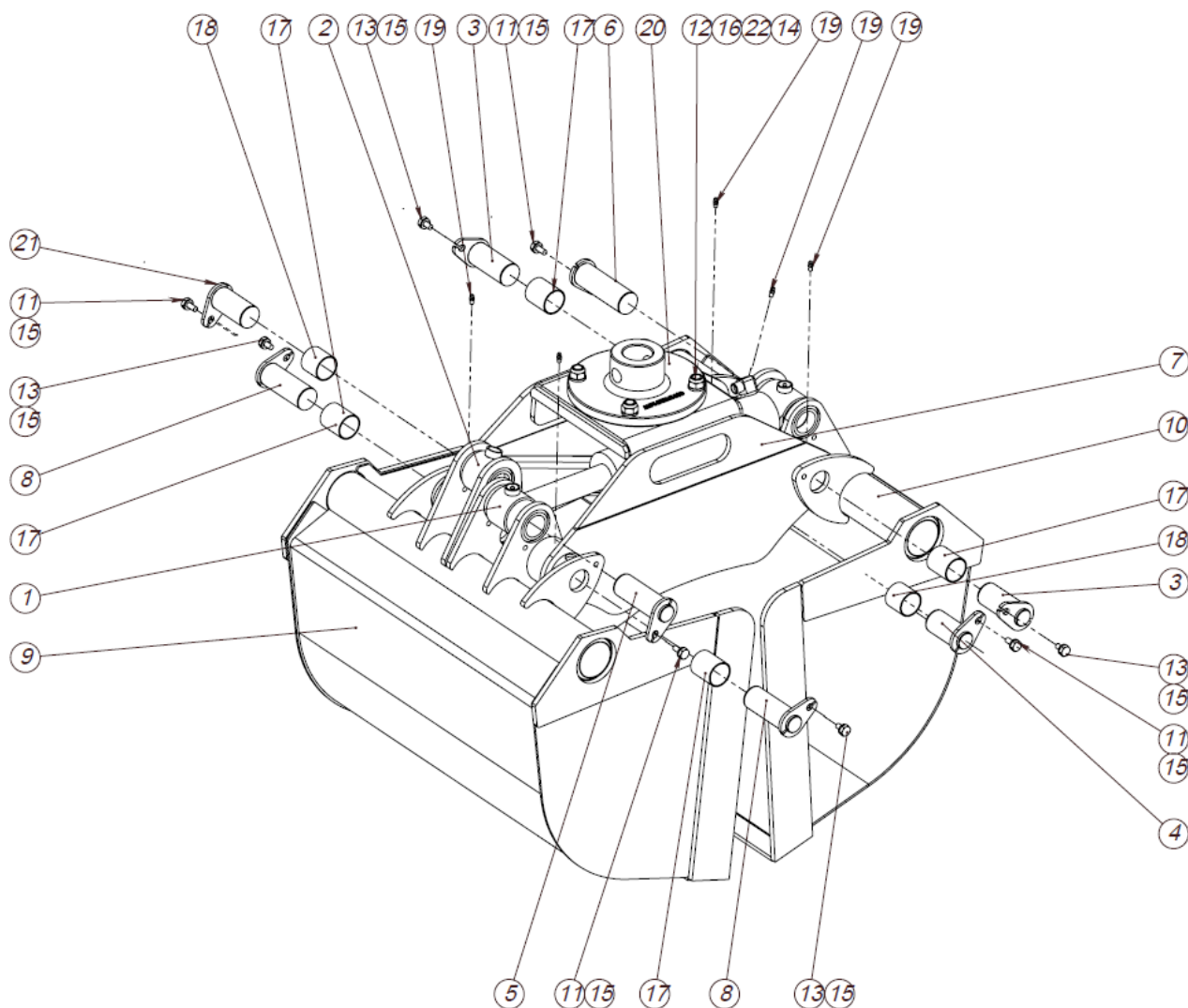
1 SPARE PARTS
1.1 MAIN PARTS, GRAPPLE BUCKET 160L

REF: 190502
Main parts for Farma Grapple Bucket 160L

ITEM NO.	PART NUMBER	DESCRIPTION	TYPE	QTY.
1	313110	Hydraulic cylinder	70/40 - 245 1	1
2	FMWS00114	Parallel-link 0,20	L=521	1
3	FMWS00115-01	Shaft	GrndØ40-94(88)	2
4	FMWS00116	Shaft	GrndØ40-78(72)	1
5	FMWS00117	Shaft	GrndØ40-119(108)	1
6	FMWS00118	Shaft	GrndØ40-130(119)	1
7	FMWS00163	Yoke 0,20		1
8	FMWS00168	Shaft	GrndØ40-112,5(101,5)	2
9	906170	Bolt Hex. Cap	M10x20 fzb DIN 933	4

Original instruction

10	906228	Bolt Hex. Cap	M16x50 fzb DIN 933	4
11	906287	Bolt Hex. Cap	M10x16 DIN 933	4
12	908267	Washer flat	M16 fzb DIN 125	4
13	908620	Washer Spring	M10 fzb DIN 127	8
14	908630	Washer Spring	M16 fzb DIN 127	4
15	909148	Slide bearing	40 44 50 DIN 1491	4
16	909149	Slide bearing	40 44 40 DIN 1491	2
17	930107	Grease nipple	M6 DIN 71412	6
18	FMWP00483	Flange	D230 Hole ID49,5	1
19	FMWS00116-01	Shaft	GrndØ40-89(78)	1
20	907237	Nut Hex.Sylock	M16 fzb DIM 985	4
21	FMWS00311-03	Half-scoop		1
22	FMWS00312-03	Half-scoop		1

REF: 190502

1.2 MAIN PARTS, GRAPPLE BUCKET 200L

REF: 190502
Main parts Farma Grapple Bucket 200L

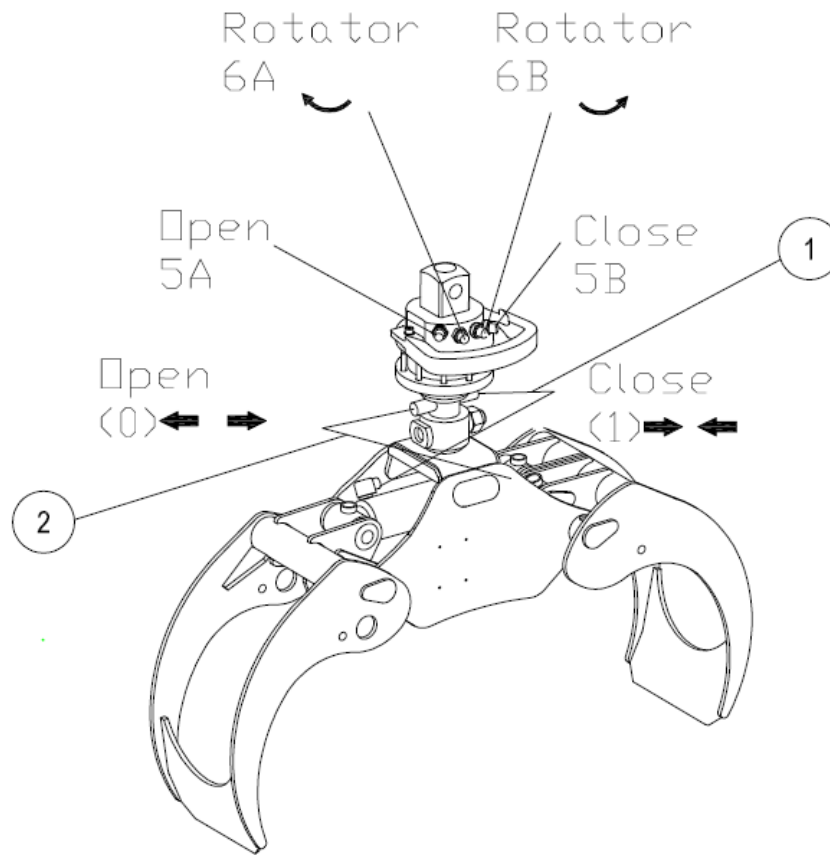
ITEM NO.	PART NUMBER	DESCRIPTION	TYPE	QTY.
1	313110	Hydraulic cylinder	70/40 - 245	1
2	FMWS00114	Parallel-link 0,20	L=521	1
3	FMWS00115-01	Shaft	GrndØ40-99(88)	2
4	FMWS00116	Shaft	GrndØ40-83(72)	1
5	FMWS00117	Shaft	GrndØ40-119(108)	1
6	FMWS00118	Shaft	GrndØ40-130(119)	1
7	FMWS00163	Yoke 0,20		1

Original instruction

8	FMWS00168	Shaft	GrndØ40-112,5(101,5)	2
9	FMWS00311-01	Half-scoop		1
10	FMWS00312-01	Half-scoop		1
11	906170	Bolt Hex. Cap	M10x20 fzb DIN 933	4
12	906228	Bolt Hex. Cap	M16x50 fzb DIN 933	4
13	906287	Bolt Hex. Cap	M10x16 DIN 933	4
14	908267	Washer flat	M16 fzb DIN 125	4
15	908620	Washer Spring	M10 fzb DIN 127	8
16	908630	Washer Spring	M16 fzb DIN 127	4
17	909148	Slide bearing	40 44 50 DIN 1491	4
18	909149	Slide bearing	40 44 40 DIN1491	2
19	930107	Grease nipple	M6 DIN 71412	6
20	FMWP00483	Flange	D230 Hole ID49,5	1
21	FMWS00116-01	Shaft	GrndØ40-89(78)	1
22	907237	Nut Hex. Nylock	M16 fzb DIN 985	4

REF: 190502

Original instruction

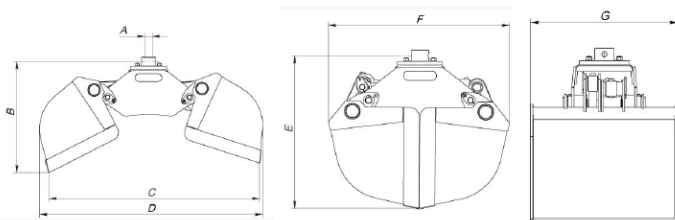
1.3 HYDRAULIC SCHEME

REF: 190502
Hydraulic scheme Farma Grapple Bucket FMWH00021-03

ITEM NO.	PART NUMBER	DESCRIPTION	TYPE	QTY.
1	FMWH00254	H-hose	42040606-3/8(570)-42010606	1
2	FMWH00253	H-hose	42040606-3/8(490)-42010606	1

FEF: 190502

2 TECHNICAL SPECIFICATION

2.1 MEASUREMENTS & TECHNICAL DATA



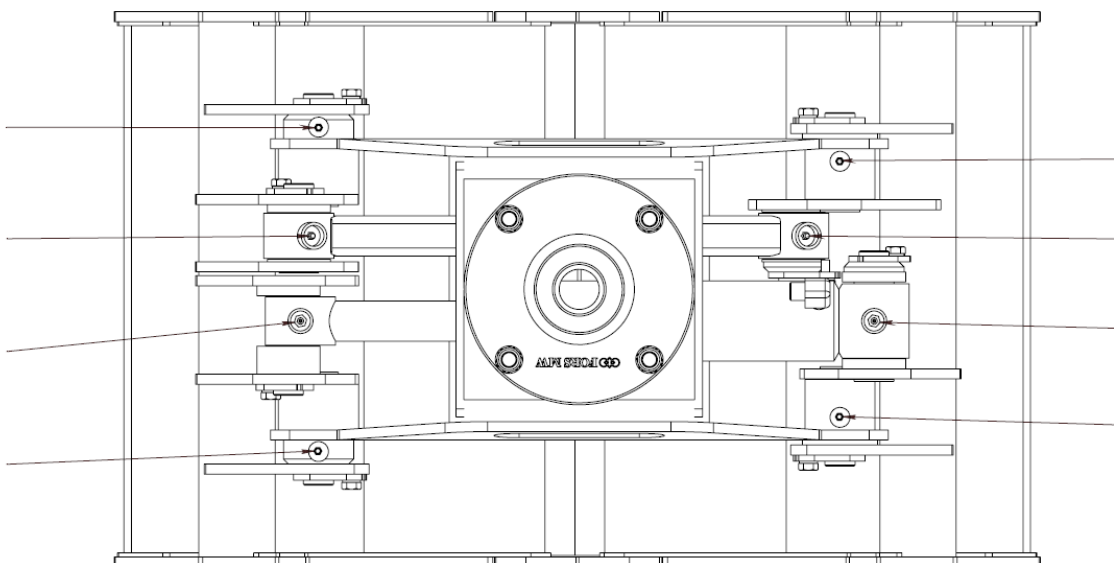
Measure	160 l	200 l
A	Diam. 50/60 mm	Diam. 50/60 mm
B	705 mm	705 mm
C	1355 mm	1355 mm
D	1420 mm	1420 mm
E	785 mm	785 mm
F	925 mm	925 mm
G	555 mm	685 mm

Technical data	160 l	200 l
Weight	172 kg	182 kg
Size, rotator mount	50/ <u>60</u> *	50/ <u>60</u> *
Working Pressure	19.0 MPa	19.0 MPa
Gripping force arms tip-tip	9.0 kN	9.0 kN
Volume	160 l	200 l
Max.load	1000 kg	1000 kg

* This model is supplied with a replaceable rotator mount.
Specify the desired mount when ordering. The underlined figure is the standard option.

WEB: 190502

2.2 LUBRICATION POINTS



REF: 190502