



**FARMA**®

**Trailer**

**T9F**

**T9F 4WD**

**T10F**

**T10F 4WD**

EN\_S1.1-2019W12

Original instruction

**SPARE PARTS**

# SPARE PARTS

## T9F/T10F & 4WD

### TABLE OF CONTENTS

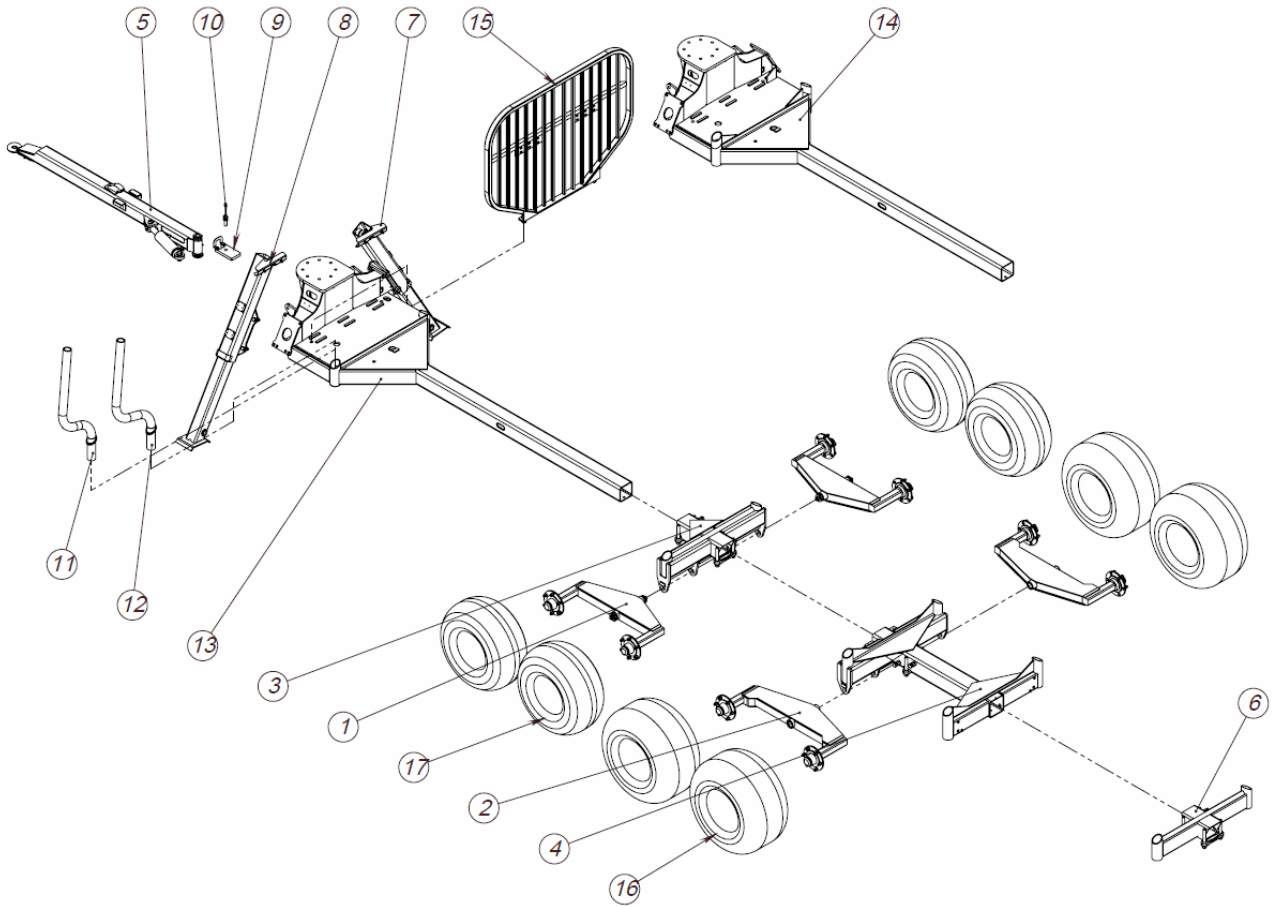
1	SPARE PARTS .....	3
1.1	MAIN PARTS, FARMA T9F AND T10F .....	3
1.1.1	DRAWBAR ASM .....	7
1.1.2	DRAWBAR LOCK .....	8
1.1.3	DRAWBAR LOCK SHAFT ASM .....	9
1.1.4	RAILING.....	10
1.1.5	BOGIES.....	11
1.1.6	WHEEL SUPPORT .....	15
1.1.7	SLIDING SUPPORT T9F .....	17
1.1.8	STUBAXLE .....	18
2	HYDRAULIC SCHEMES.....	19
2.1	LEG, TELESCOPE FARMA T9F/T10F .....	19
2.2	STEERABLE DRAWBAR .....	20
2.3	T9/T10 4WD .....	22
3	TECHNICAL SPECIFICATIONS .....	24
3.1	TECHNICAL DATA.....	24
3.2	MAIN DIMENSIONS .....	25
4	EC DECLARATION OF CONFORMITY (SAMPLE) .....	29



### 1 SPARE PARTS

#### 1.1 MAIN PARTS, FARMA T9F and T10F

##### FARMA T9F/T10F



REF:171115

**Main parts ASM, T9F-T10F (FMWA00456/-02)**

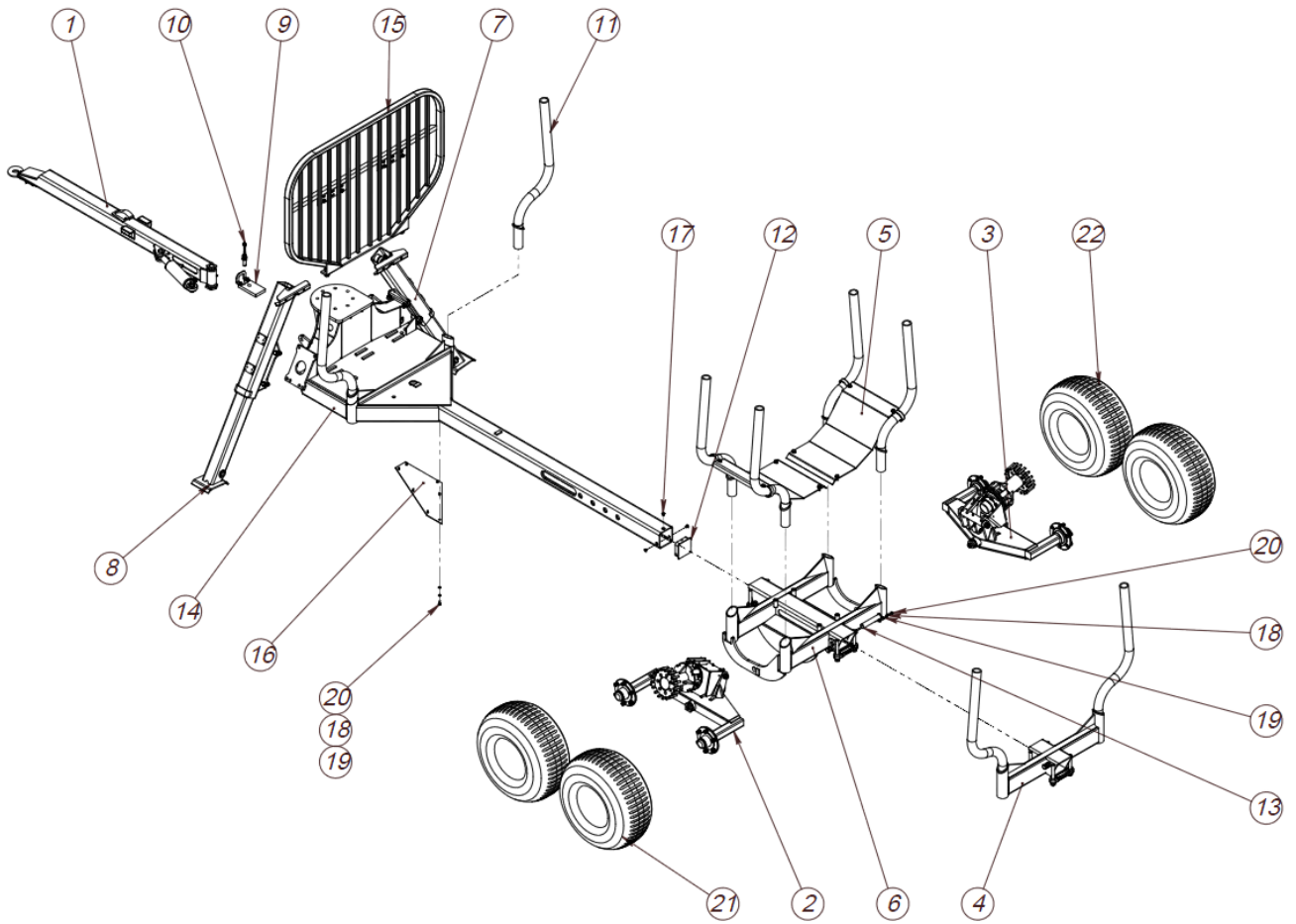
ITEM NO.	PART NUMBER	DESCRIPTION	TYPE	T9F QTY.	T10F QTY.
1	FMWA00074	Bogie ASM	T7-T9/B-7; B-10	2	-
2	FMWA00075	Bogie ASM	T10/T12/BT10	-	2
3	FMWA00096	Wheel support ASM	T9	1	-
4	FMWA00308	Wheel support ASM	T10/T12	-	1
5	FMWA00069	Drawbar ASM	T9-T14	1	1
6	FMWA00097	Sliding support ASM	T9	1	-
7	FMWA00485	Stab leg right compl	-	1	1
8	FMWA00486	Stab leg left compl	-	1	1
9	FMWA00496	Drawbar lock ASM	-	1	1
10	FMWA00497	Drawbar lock shaft ASM	-	1	1
11	FMWS00009	B-post	T7/T8/T9	1	-
12	FMWS00075	B-post	T10/T12	-	1
13	FMWS01000	Chassis Farma Fixed Podium	T9F	1	-
14	FMWS01000-02	Chassis Farma Fixed Podium	T10F	-	1
15	FMWS01004	Railing Fixed Podium	-	1	1
16	916529	Wheel	500/50-17	-	4
17	916515	Wheel	400/60-15,5	4	-

**REF: 171115**



Original instruction

### FARMA T9F and T10F 4WD



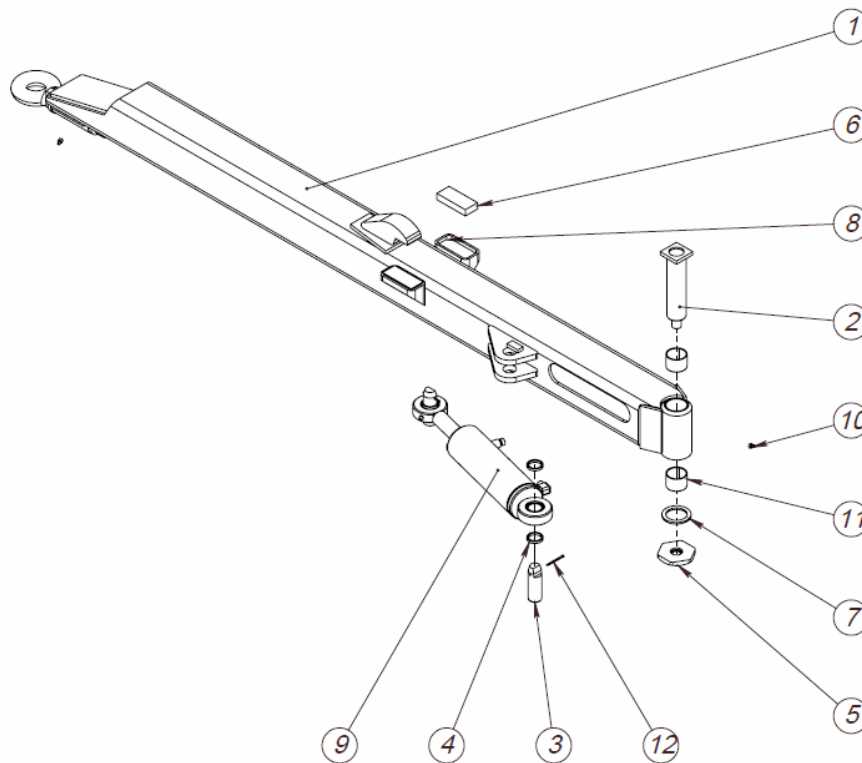
REF: 171115



**Main parts, T9F-T10F 4WD (FMWA00492/-02)**

ITEM NO.	PART NUMBER	DESCRIPTION	TYPE	T9F 4WD QTY.	T10F 4WD QTY.
1	FMWA00069	Drawbar ASM	T9-T14	1	1
2	FMWA00074-120	Bogie side	T9F 4WD Left	1	-
2	FMWA00074-080	Bogie side	T10F 4WD Left	-	1
3	FMWA00074-121	Bogie side	T9F 4WD Right	1	-
3	FMWA00074-081	Bogie side	T10F 4WD Right	-	1
4	FMWA00097-01	Sliding support ASM	T9	1	1
5	FMWA00311	Bogie cover	T14G1	2	2
6	FMWA00383	Wheels support ASM	T9/T10 4WD	1	1
7	FMWA00485	Stab leg right compl		1	1
8	FMWA00486	Stab leg left compl		1	1
9	FMWA00496	Drawbar lock ASM		1	1
10	FMWA00497	Drawbar lock shaft ASM		1	1
11	FMWS00009	B-post	T7/T8/T9	8	-
11	FMWS00075	B-post	T10/T12	-	8
12	FMWS00775-01	Cover		1	1
13	FMWS00888	Shaft	GRND40 - 220 (209)	1	1
14	FMWS01000-01	Chassis Fixed Podium	T9F 4WD	1	1
15	FMWS01004	Railing Fixed Podium	T9	1	1
16	FMWP01412-01	Plate	PLT4 - 865x425	1	1
17	906188	Bolt Hex. Socket	M12x20 fzb DIN 7991	3	3
18	908620	Washer Spring	M10 fzb DIN 127	8	8
19	908225	Washer flat	M10 fzb DIN 125	8	8
20	906173	Bolt Hex. Cap	M10x25 fzb DIN 933	8	8
21	916525L	Wheel	400/60-15,5	2	-
21	916528F_L	Wheel	19/45-17	-	2
22	916525R	Wheel	400/60-15,5	2	-
22	916528F_R	Wheel	19/45-17	-	2

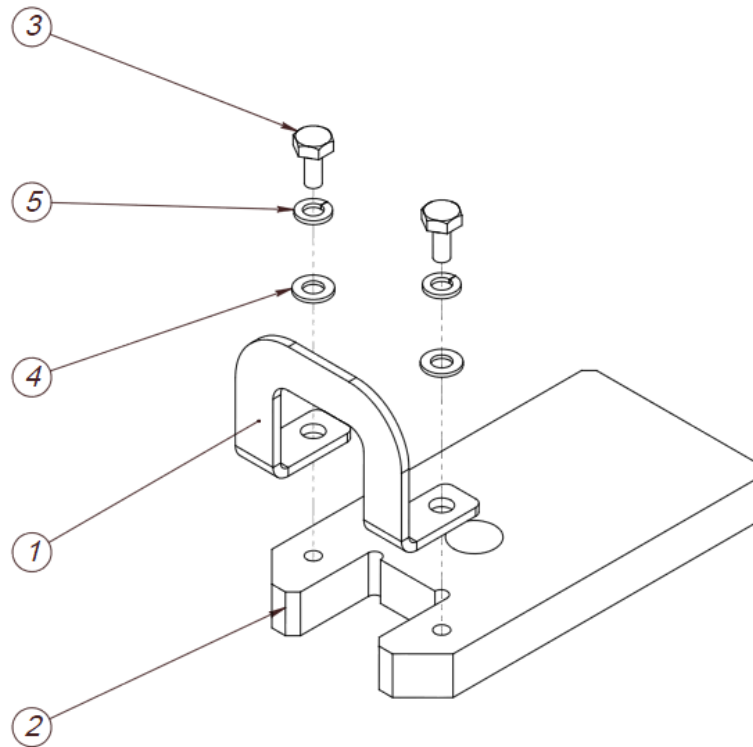
**REF: 190321**

**1.1.1 DRAWBAR ASM**

**REF: 150604**
**Drawbar ASM, T9F-T10F (FMWA00069)**

ITEM NO.	PART NUMBER	DESCRIPTION	TYPE	QTY.
1	FMWS00849	Drawbar	T9F-T10F	1
2	FMWS00021-020	Shaft	GrndØ50 - 240(195)	1
3	FMWP00001-070	Pin	GrndØ35h9 - 105	2
4	FMWP00083	Ring	STØ42,3x3,4 - 7	4
5	FMWP01777	Nut	RndØ100 - 35	1
6	FMWP02223	Glide plastic	PLT20 - 105x45	2
7	FMWP02884	Washer	PLT5 - 76x76	1
8	FMWP04180	Shim	PLT1,50 - 103x43	2
9	313137	Hydraulic cylinder	90/40 - 200	1
	37313940	Sealing kit Hydr cyl 90/40		
10	930105	Lubricating nipple	1/8 " BSP DIN 71412	2
11	909150	Slide Bearing	50-55-40 P DIN 1494	2
12	908110	Pin Split	4x50 DIN 94	2

**REF: 150604**

1.1.2 DRAWBAR LOCK



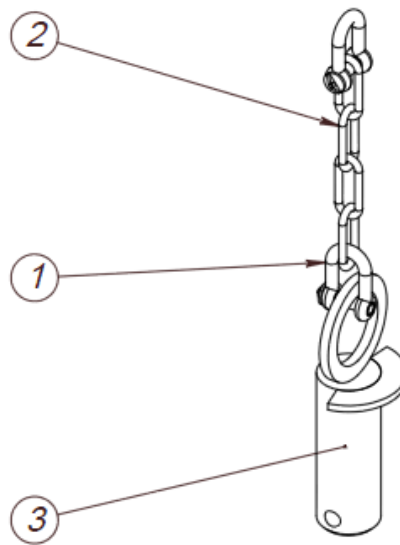
REF: 171115

Drawbar lock ASM, T9F-T10F & 4WD (FMWA00496)

ITEM NO.	PART NUMBER	DESCRIPTION	TYPE	QTY.
1	FMWP06147	Handle	PLT5 - 130x110	1
2	FMWP06140	Grater	PLT25 - 230x120	1
3	906170	Bolt Hex. Cap	M10x20 fzb DIN 933	2
4	908225	Washer flat	M10 fzb DIN 125	2
5	908620	Washer Spring	M10 fzb DIN 127	2

REF: 171115



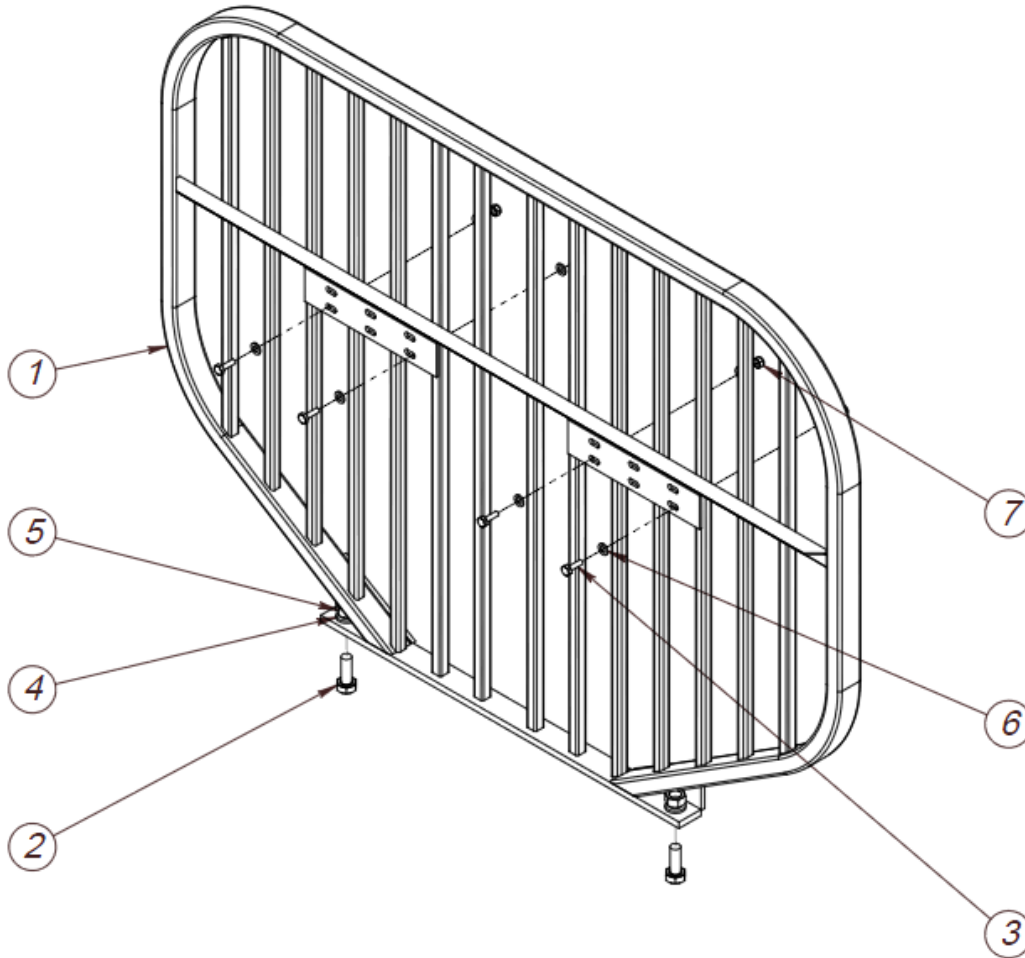
**1.1.3 DRAWBAR LOCK SHAFT ASM**

**REF: 171115**
**Drawbar lock shaft ASM, T9F-T10F & 4WD (FMWA00497)**

ITEM NO.	PART NUMBER	DESCRIPTION	TYPE	QTY.
1	920224-2	Shackle	M5 Zinc	2
2	920225	Chain	3x30 - 300	1
3	FMWS00745-01	Drawbar lock shaft	d25-70 (70)	1

**REF:171115**



### 1.1.4 RAILING

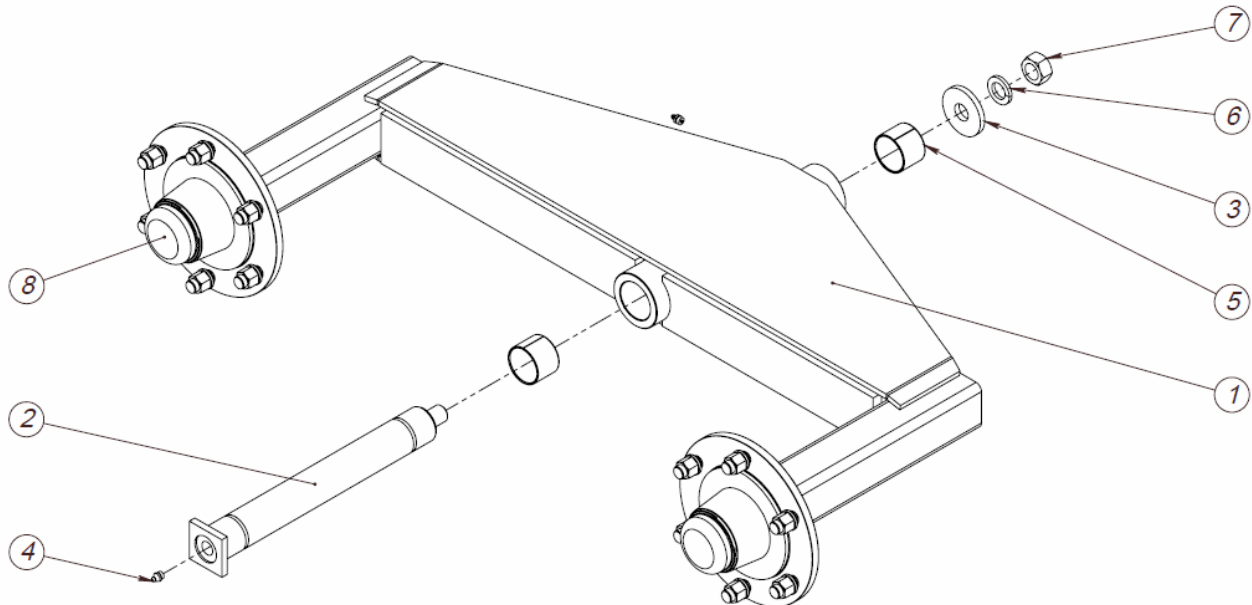


REF: 171115

#### Railing, T9 F-T10F (FMWS01004)

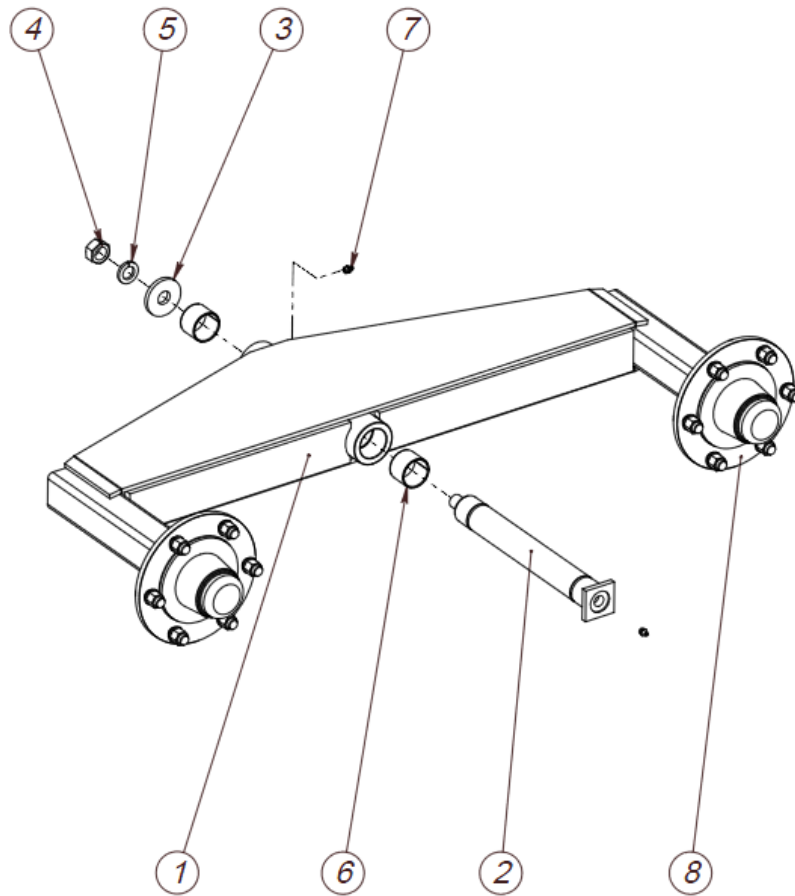
ITEM NO.	PART NUMBER	DESCRIPTION	TYPE	QTY.
1	FMWS01004	Railing T9 Fixed Podium		1
2	906255	Bolt Hex. Cap	M24x60 fzb DIN 933	2
3	906198	Bolt Hex. Cap	M12x35 fzb DIN 933	4
4	908640	Washer Spring	M24 fzb DIN 127	2
5	907255	Nut Hex.	M24 fzb DIN 934	2
6	908229	Washer flat	M12 fzb DIN 125	8
7	907228	Nut Hex. Nylock	M12 fzb DIN 985	4

REF: 171115

**1.1.5 BOGIES**
**Bogie T9F**

**REF: 141203**
**Bogie ASM, T9F (FMWA00074)**

ITEM NO.	PART NUMBER	DESCRIPTION	TYPE	QTY.
1	FMWS00425	Bogie side	T7-T9/BT8	1
2	FMWS00021-030	Shaft	GrndØ50 - 438(393)	1
3	FMWP00080	Washer	PLT8 - D70	1
4	930105	Lubricating nipple	1/8 " BSP DIN 71412	2
5	909150	Slide Bearing	50-55-40 P DIN 1494	2
6	908640	Washer Spring	M24 fzb DIN 127	1
7	907255	Nut Hex.	M24 fzb DIN 934	1
8	916115	Stubaxle 70x400 6xM18	S70MA0600400	2

**REF: 141203**

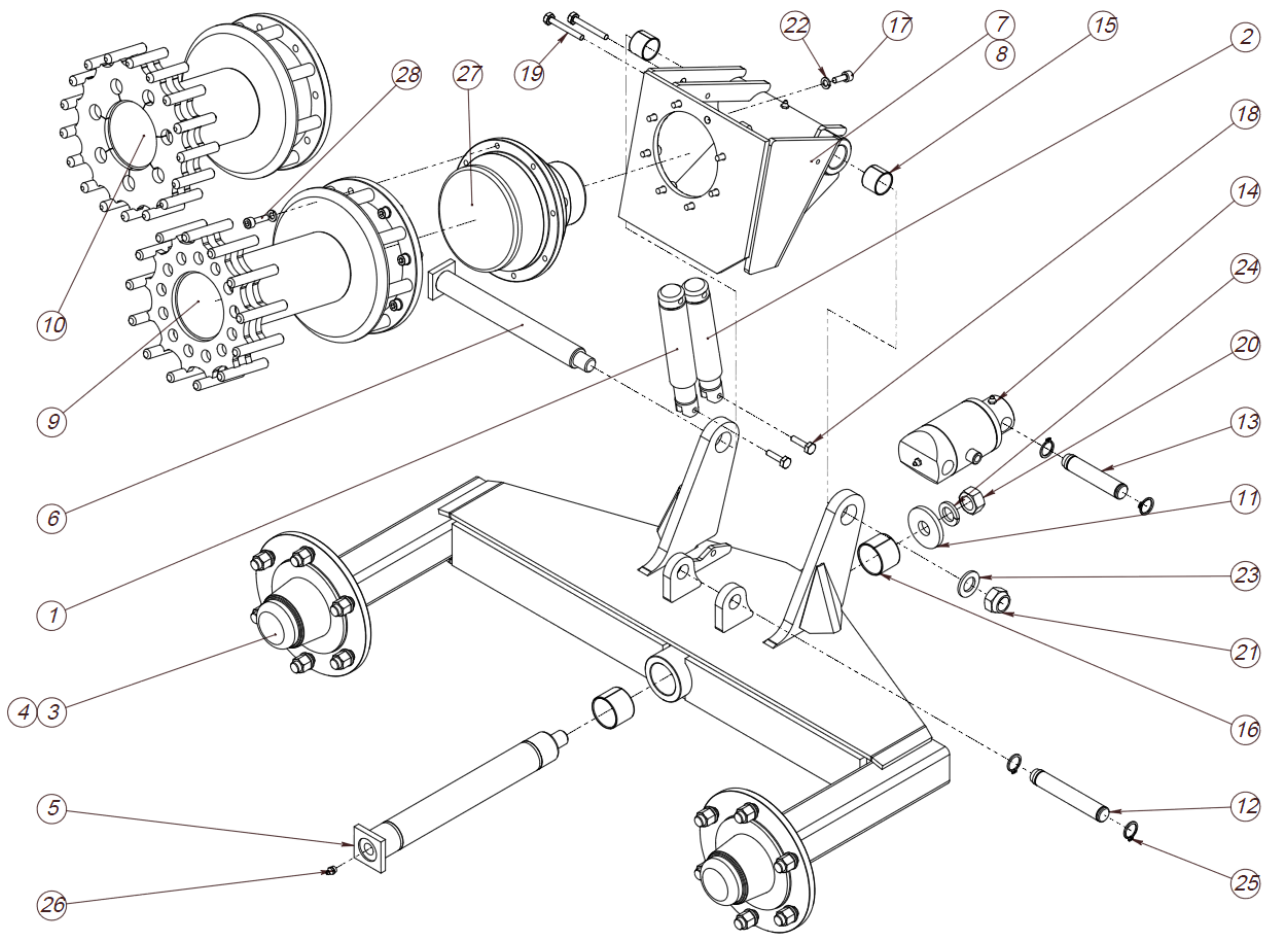
**Bogie T10F**

**REF: 141203**
**Bogie ASM, T10F (FMWA00075)**

ITEM NO.	PART NUMBER	DESCRIPTION	TYPE	QTY.
1	FMWS00078	Bogie side	T10/T12/BT10	1
2	FMWS00021-030	Shaft	GrndØ50 - 438(393)	1
3	FMWP00080	Washer	PLT8 - D70	1
4	907255	Nut Hex.	M24 fzb DIN 934	1
5	908640	Washer Spring	M24 fzb DIN 127	1
6	909150	Slide Bearing	50-55-40 P DIN 1494	2
7	930105	Lubricating nipple	1/8" DIN 71412	2
8	916115	Stubaxle 70x400 6xM18	S70MA0600400	2

**REF: 141203**



### Bogie ASM T9F/T10F 4WD



REF: 151008

**Bogie ASM, T9F-T10F 4WD**
**(FMWA00074-120, FMWA00074-121, FMWA00074-080, FMWA00074-081)**

ITEM NO.	PART NUMBER	DESCRIPTION	TYPE	T9F 4WD Left/ QTY.	T9F 4WD Right/ QTY.	T10F 4WD Left/ QTY.	T10F 4WD Right/ QTY.
1	FMWA00267	Gas cylinder (sp) ASM	Long (spring 85mm)	1	1	1	1
2	FMWA00267-01	Gas cylinder (sp) ASM	Short (spring 60mm)	1	1	1	1
3	FMWS00011-110	Bogie side	4WD Left	1	-	1	-
4	FMWS00011-111	Bogie side	4WD Right	-	1	-	1
5	FMWS00021-030	Shaft	GrndØ50 - 438(393)	1	1	1	1
6	FMWS00062-060	Shaft	GrndØ35 - 345(300)	1	1	1	1
7	FMWS00086	Drive wheel bracket	Left	1	-	1	-
8	FMWS00086-01	Drive wheel bracket	Right	-	1	-	1
9	FMWS00087-01	Robson drive roller	T10 + 19/45-17	1	1	-	-
10	FMWS00087-02	Robson drive roller	T9 + 400/60-15,5	-	-	1	1
11	FMWP00080	Washer	PLT8 - D70	1	1	1	1
12	FMWP00312-010	Pin	Grnd25Øh9 - 155	1	1	1	1
13	FMWP00312-020	Pin	GrndØ25h9 - 125	1	1	1	1
14	313105	Hydraulic cylinder	80/60 - 35	1	1	1	1
	37313842	Sealing kit 80/60					
15	909145	Slide Bearing	35-39-30 P DIN 1494	2	2	2	2
16	909150	Slide Bearing	50-55-40 P DIN 1494	2	2	2	2
17	906172	Bolt Hex. Socket	M10x25 DIN 912	8	8	8	8
18	906176	Bolt Hex. Cap	M10x35 fzb DIN 933	2	2	2	2
19	906185	Bolt Hex. Cap	M10x70 DIN 933	2	2	2	2
20	907255	Nut Hex.	M24 fzb DIN 934	1	1	1	1
21	907252	Nut Hex. Nylock	M24 DIN 985	1	1	1	1
22	908620	Washer Spring	M10 fzb DIN 127	16	16	16	16
23	908275	Washer flat	M24 fzb DIN 125	1	1	1	1
24	908640	Washer Spring	M24 fzb DIN 127	1	1	1	1
25	911255	Lock-ring	d25 DIN 471	4	4	4	4
26	930105	Lubricating nipple	1/8" DIN 71412	3	3	3	3
27	915144	Wheel gear GR200	N 6,2 MLR 125 short motor	1	1	1	1
28	906528	Bolt Hex. Socket	M10x35 DIN 912	8	8	8	8

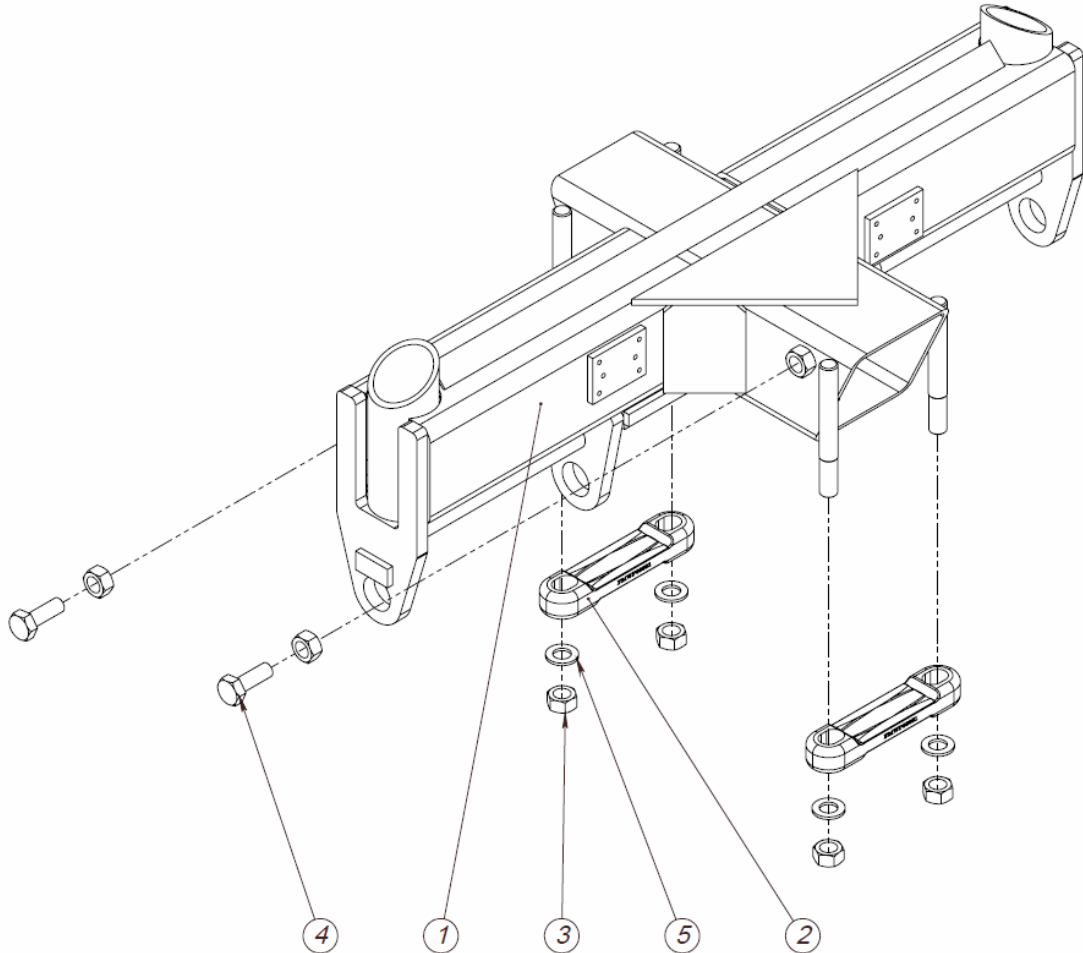
**REF: 190321**





### 1.1.6 WHEEL SUPPORT

#### Wheel support T9F



REF: 141203

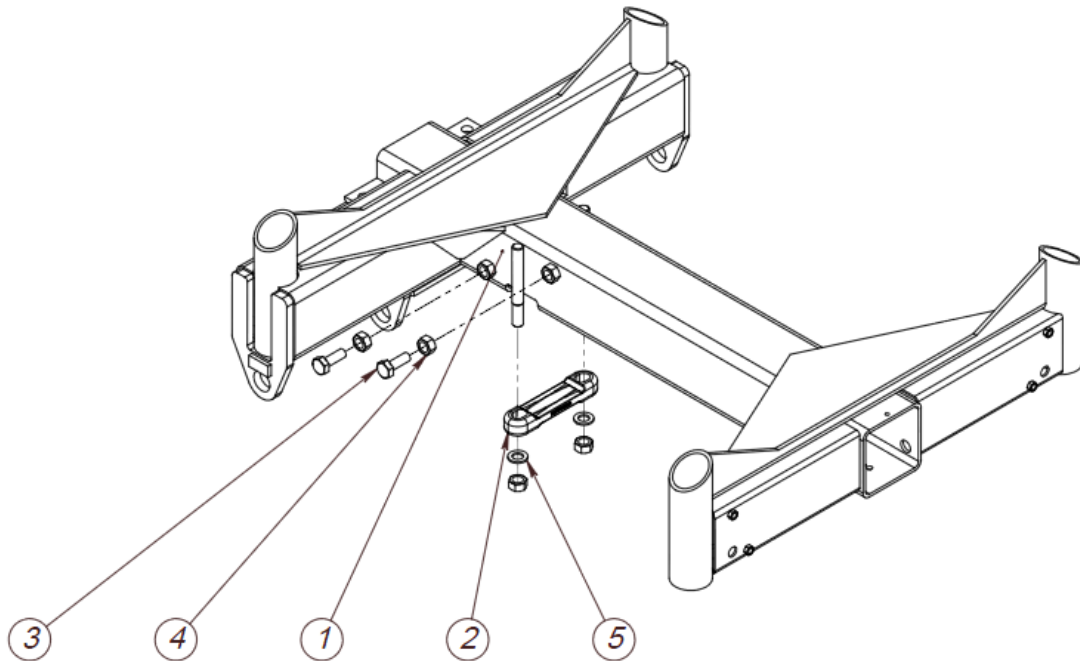
#### Wheel support, T9F (FMWA00096)

ITEM NO.	PART NUMBER	DESCRIPTION	TYPE	QTY.
1	FMWS00013	Wheels support	T9	1
2	FMWP00081	Plate	PLT40 - 265x60	2
3	907255	Nut Hex.	M24 fzb DIN 934	6
4	906255	Bolt Hex. Cap	M24x60 fzb DIN 933	2
5	908275	Washer flat	M24 fzb DIN 125	4

REF: 141203



### Wheel Support T10F

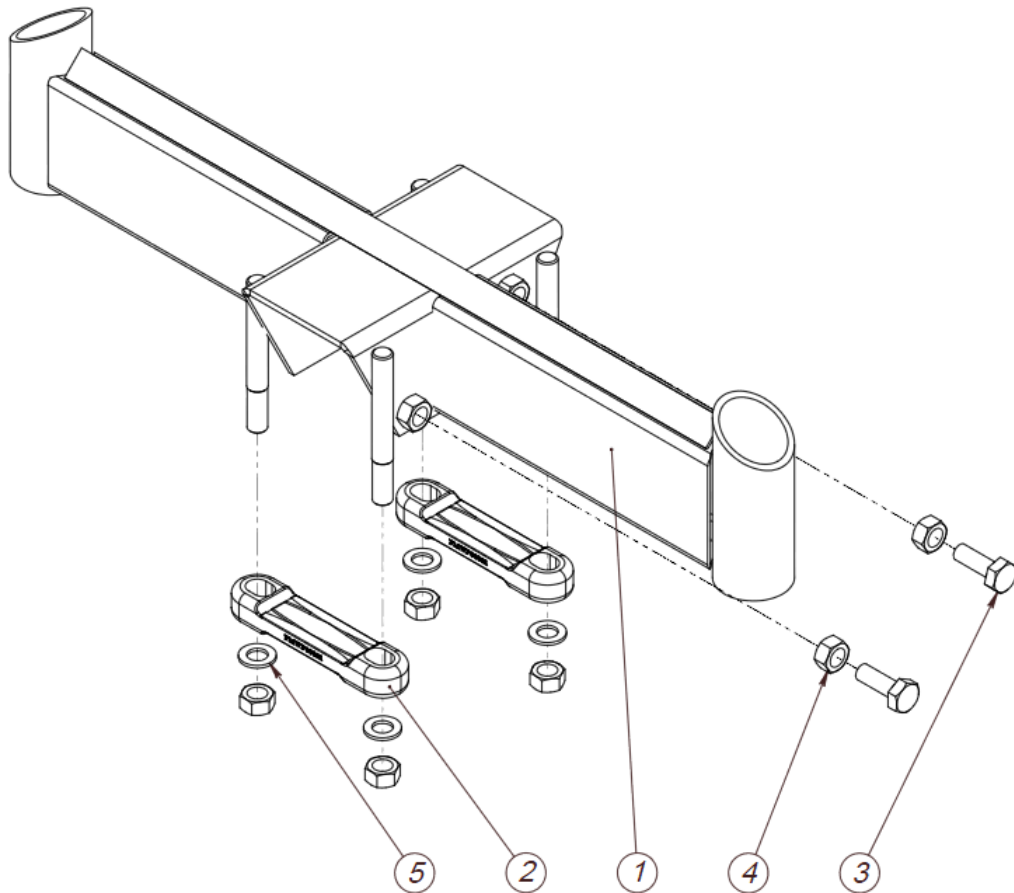


**REF: 141203**

#### **Wheel Support, T10F (FMWA00308)**

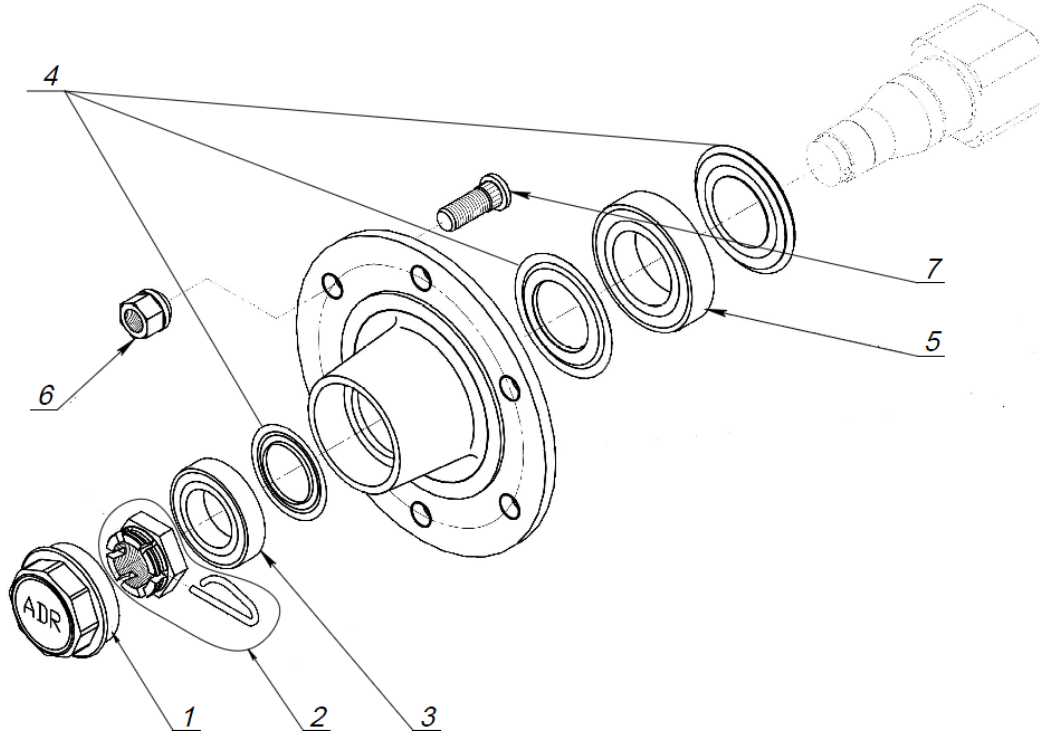
ITEM NO.	PART NUMBER	DESCRIPTION	TYPE	QTY.
1	FMWS00084	Wheels support	T10/T12	1
2	FMWP00081	Plate	PLT40 - 265x60	1
3	906255	Bolt Hex. Cap	M24x60 fzb DIN 933	2
4	907255	Nut Hex.	M24 fzb DIN 934	4
5	908275	Washer flat	M24 fzb DIN 125	2

**REF: 141203**

**1.1.7 SLIDING SUPPORT T9F**

**REF: 141203**
**Sliding support, T9F (FMWA00097)**

ITEM NO.	PART NUMBER	DESCRIPTION	TYPE	QTY.
1	FMWS00098	Sliding support	T9	1
2	FMWP00081	Plate	PLT40 - 265x60	2
3	906255	Bolt Hex. Cap	M24x60 fzb DIN 933	2
4	907255	Nut Hex.	M24 fzb DIN 934	6
5	908275	Washer flat	M24 fzb DIN 125	4

**REF: 141203**

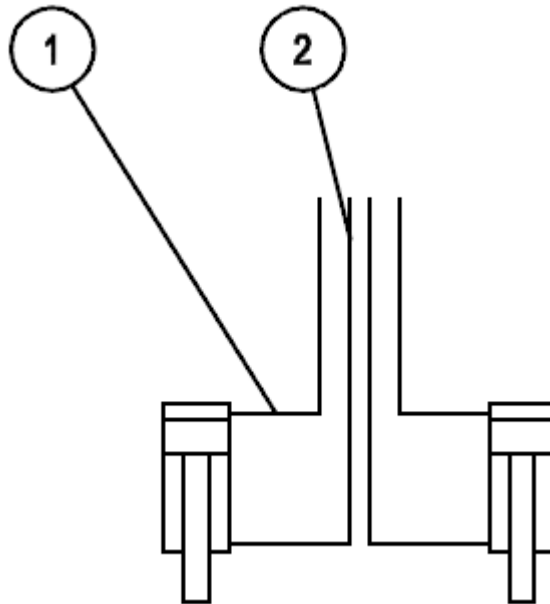
**1.1.8 STUBAXLE**

**REF: 141203**
**Stubaxle ASM, T9F-T10F (916115)**

ITEM NO.	PART NUMBER	DESCRIPTION	TYPE	QTY.
1	916/9RT90	Hub Cap ADR 90		1
2	916315	Hub nut and locking pin	M39	1
3	910260	Wheel bearing	32210 J2/Q	1
4	916345	Oil seal and NILOS-rings		1
5	910256	Wheel bearing	30213	1
6	916476	Wheel nut	M18x1,5	6
7	916472	Wheel bolt	M18x1,5x49	6

**REF: 170314**

## 2 HYDRAULIC SCHEMES

### 2.1 LEG, TELESCOPE FARMA T9F/T10F



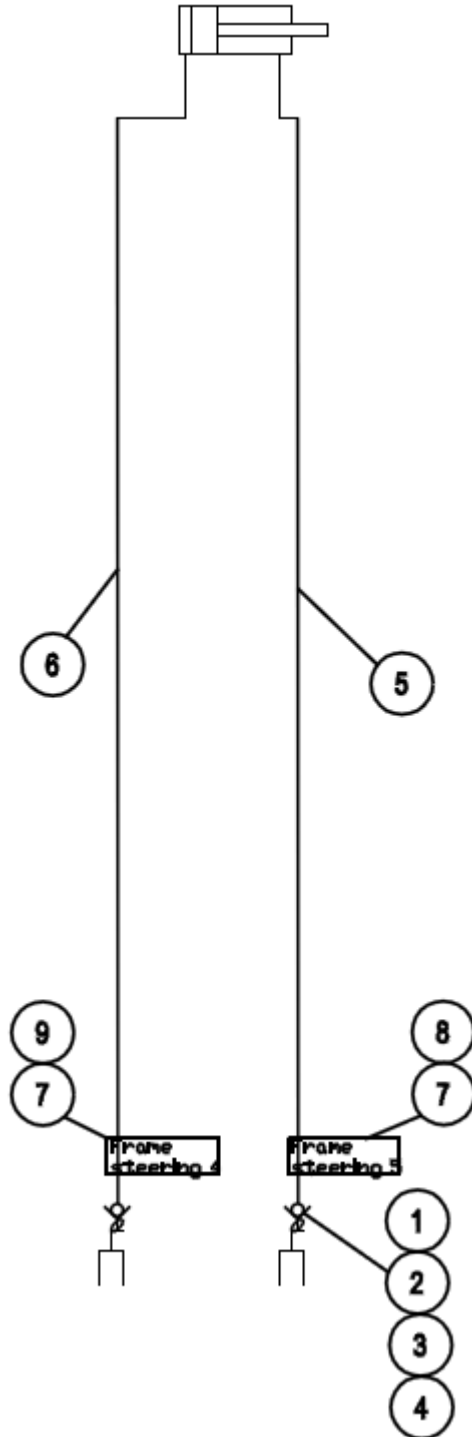
REF: 171115

#### Hydraulic system, stabilizer leg (FMWH00002-15)

ITEM NO.	PART NO.	DESCRIPTION	TYPE	QTY.
1	FMWH00200	H-hose	42010604-1/4"(3330)-42010404	2
2	FMWH00201	H-hose	42010604-1/4"(2500)-42010404	2

REF: 171115

2.2 STEERABLE DRAWBAR



REF: 141203



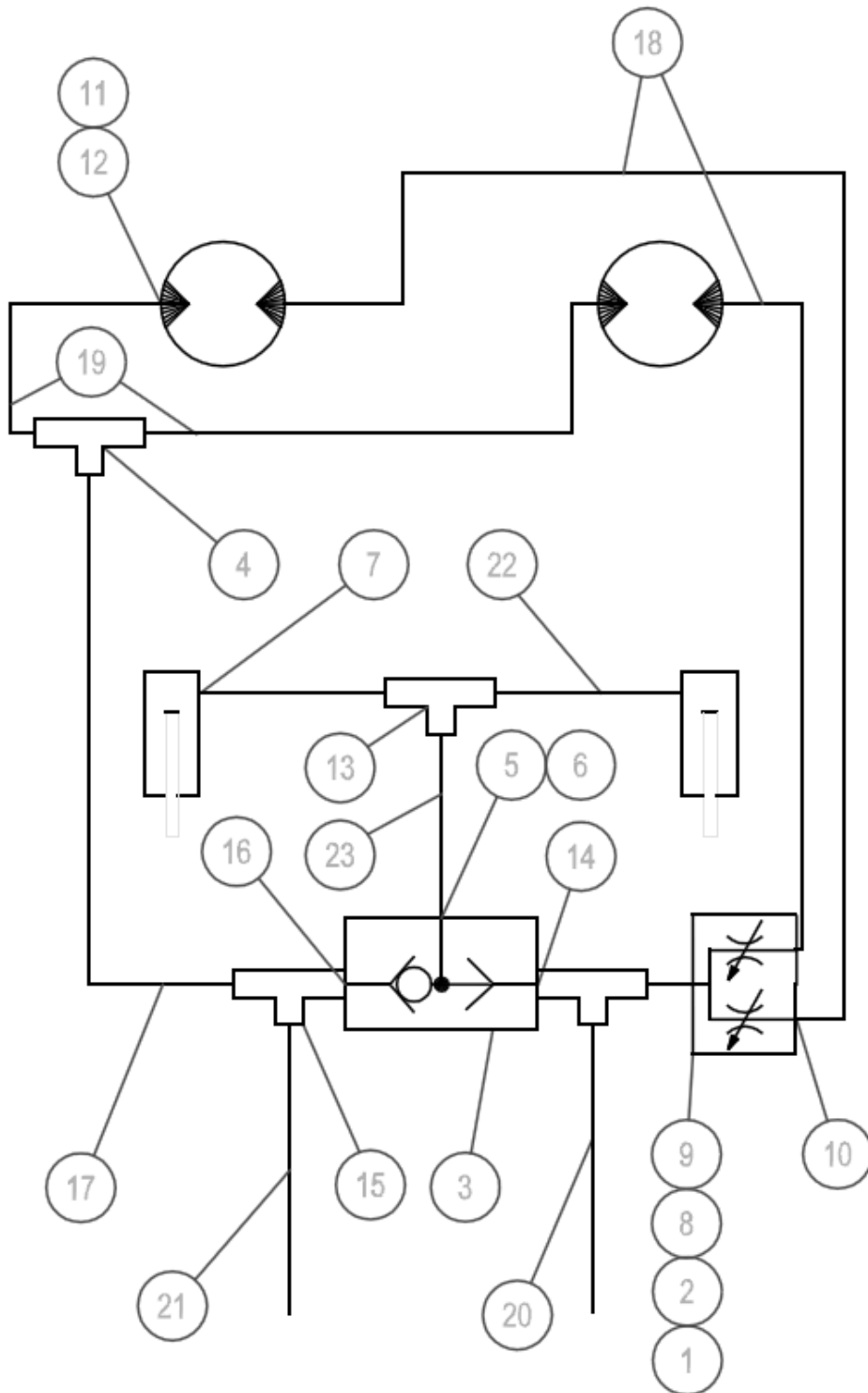
**Hydraulic system, steerable drawbar (FMWH00002-02)**

ITEM NO.	PART NO.	DESCRIPTION	TYPE	QTY.
1	914714	Straight nipple	7210-04-04; R1/4"UFxR1/2"UF	2
2	914584	Rubber seal	5601-01-08; R1/2"	2
3	914570	Bayonet coupling	5550-03-08; G1/2"IF	2
4	914579	Dust cover	5550-04-08; 1/2"F Black	2
5	FMWH00202	H-hose	42010404-1/4"(3500)-42010604	1
6	FMWH00214	H-hose	42010404-1/4"(3260)-42050604	1
7	922227	Heat shrink tube	SR 25,4-12,7	0,08
8	925036	Sticker	Frame steering (right) 4	1
9	925038	Sticker	Frame steering (left) 5	1

**REF: 141203**



2.3 T9/T10 4WD



REF: 151008

**Hydraulic system, T9F/T10F 4WD (FMWH00002-09)**

ITEM NO.	PART NO.	DESCRIPTION	TYPE	QTY.
1	915167	Flow Divider	0-90 litre for 4WD	1
2	915168	Valve Body	For 4WD	1
3	915169	Shuttle Valve	1/2" for 4 WD	1
4	914772	T- nipple	7401-08-08; 1/2"UF x UF x UFT	1
5	914584	Rubber seal	5601-01-08; G1/2"	1
6	914718	Straight nipple	7002-06-08; G3/8"MxG1/2"M	1
7	914764	Angle nipple	7210-04-04 G1/4"MxR1/4"M	2
8	914586	Rubber seal	5601-01-12; R3/4"	3
9	914722	Straight nipple	7002-08-12; R1/2"UF x R3/4"UF	1
10	914719	Straight nipple	7002-06-12; R3/8"UF x R3/4"UF	2
11	914716	Straight nipple	7002-06-06; R3/8"UF x R3/8"UF	4
12	914582	Rubber seal	5601-01-06; G3/8"	4
13	914770	T- nipple	7401-06-06; 3/8"UF x UF x UFT	1
14	914752	Cartridge nipple	7090-08-08 R1/2"UF x R1/2"UR Bulkhead	1
15	914788	T- nipple	7404-08-08 1/2"UF x IR x UFT	2
16	914720	Straight nipple	7002-08-08 R1/2"UF x R1/2"UF	1
17	FMWH00578	H-hose	42010808-1/2(2250)-42010808	1
18	FMWH00580	H-hose	42010606-3/8(3600)-42030606	2
19	FMWH00581	H-hose	42030606-3/8(1100)-42050806	2
20	FMWH00582	H-hose	42050808-1/2(1800)-42030808	1
21	FMWH00583	H-hose	42050808-1/2(2000)-42030808	1
22	FMWH00584	H-hose	42010404-1/4(1300)-42050604	2
23	FMWH00585	H-hose	42030606-3/8(2350)-42050606	1

**REF: 151008**

### 3 TECHNICAL SPECIFICATIONS

#### 3.1 TECHNICAL DATA

LUMBER TRAILER	T9F	T9F 4WD	T10F	T10F 4WD
Gross weight of trailer/ trailer with crane	9000 kg	9000 kg	10 000 kg	10 000 kg
Loading area	2,1 m <sup>2</sup>	2,1 m <sup>2</sup>	2,2 m <sup>2</sup>	2,2 m <sup>2</sup>
Ground clearance	520 mm	525 mm	515 mm	530 mm
Wheels/tires dimensions	400/60x15,5	400/60x15,5	500/50x17	19/45-17
Weight of standard trailer, kg (without wheels)	1600 kg	2500 kg	1700 kg	2600 kg
Steering angle with frame steering	48 degrees	48 degrees	48 degrees	48 degrees

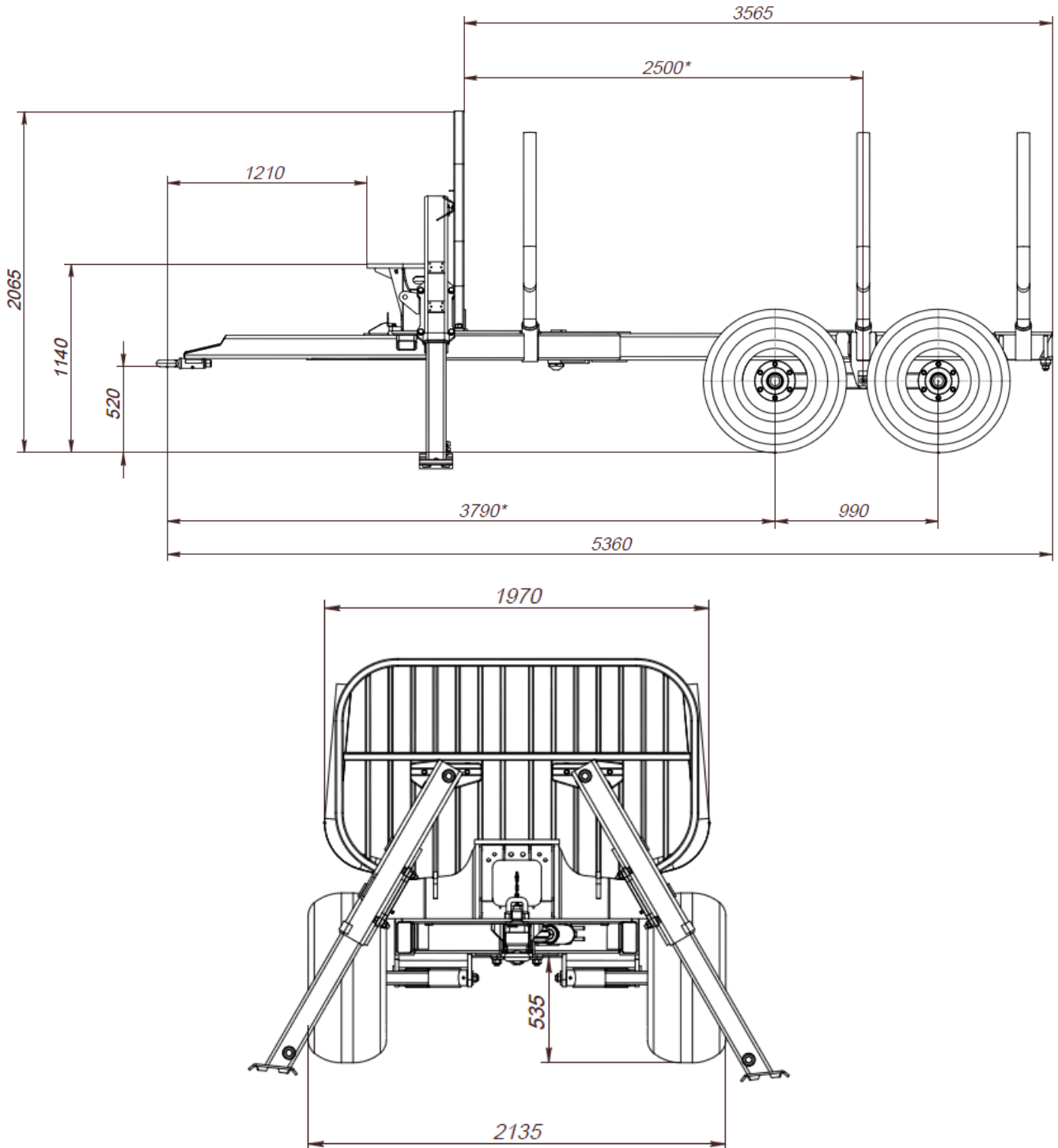
**REF: from WEB 190321**



### 3.2 MAIN DIMENSIONS

\*These figures are for illustrative purposes only

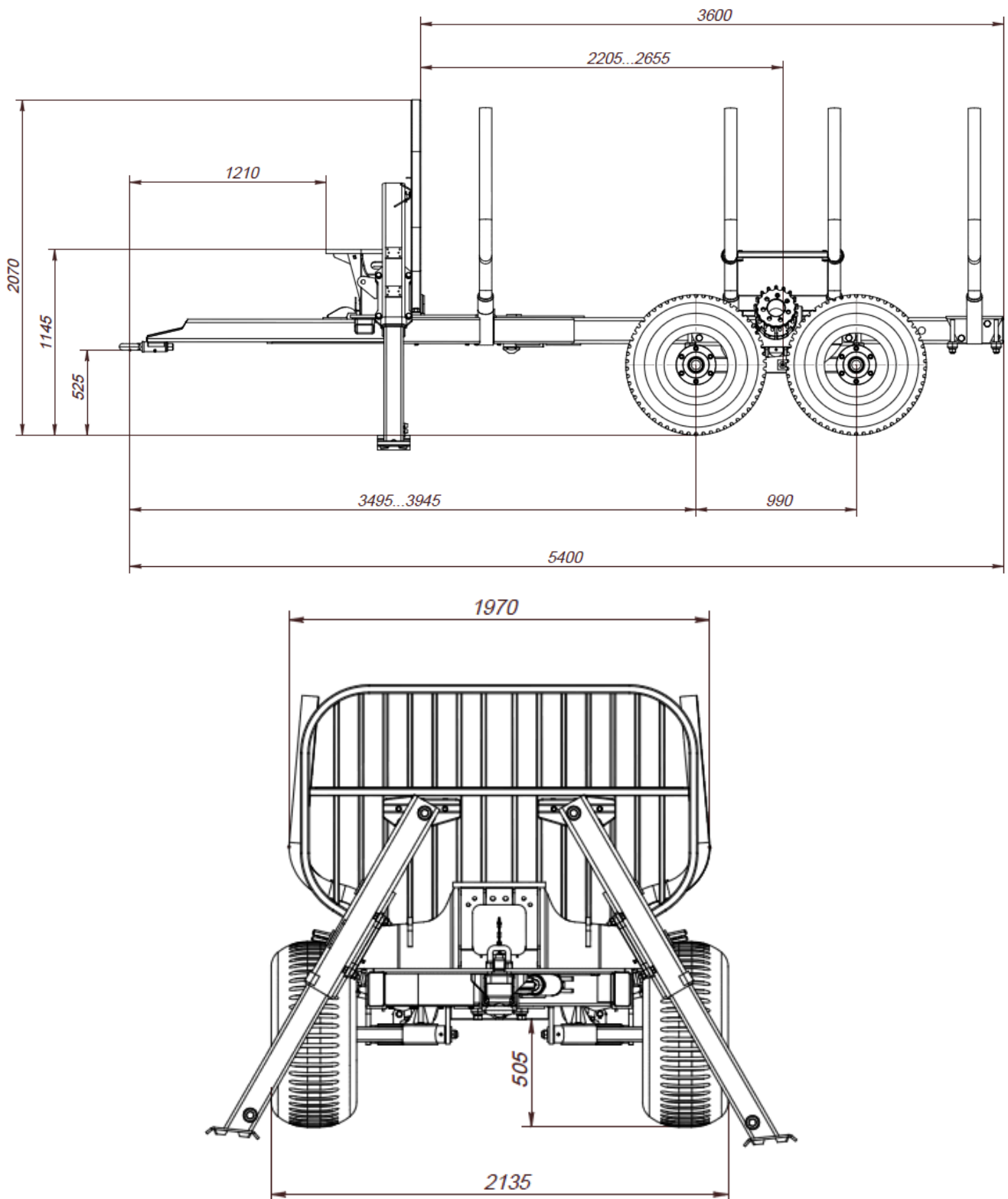
#### Farma T9F



REF: 171117



### Farma T9F 4WD

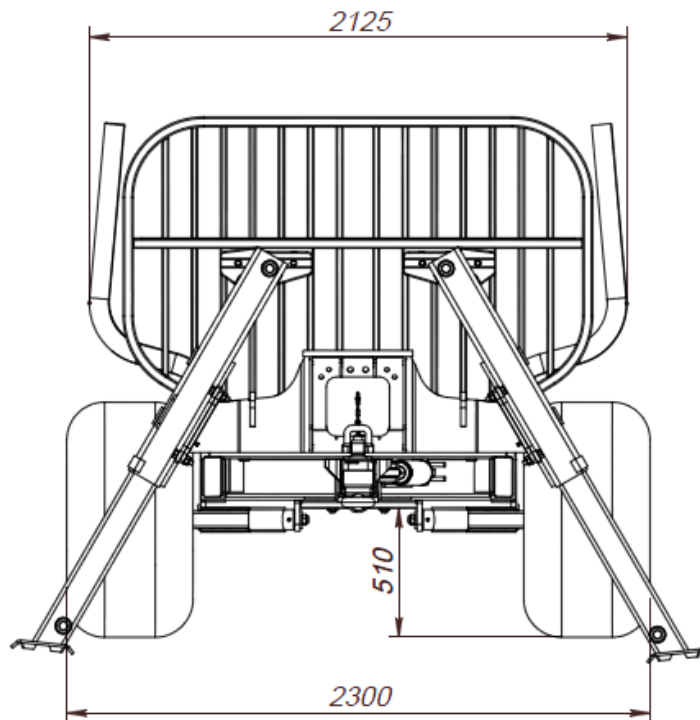
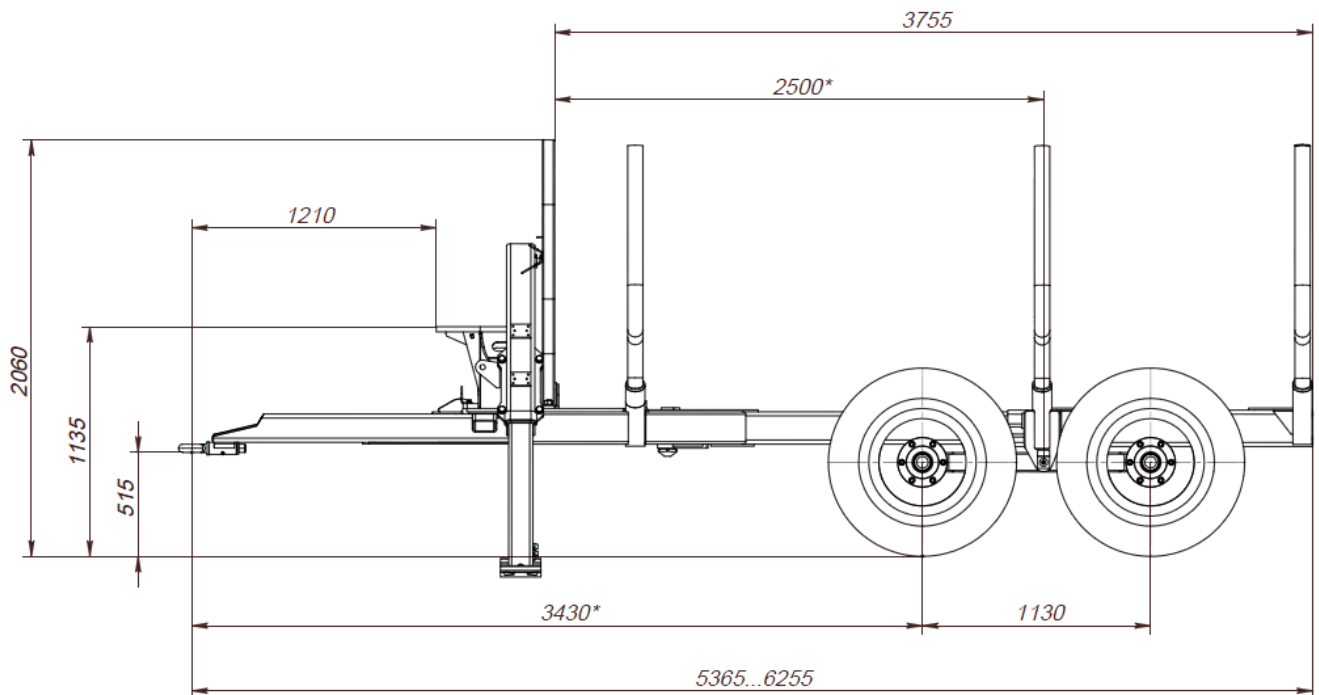


REF: 171117





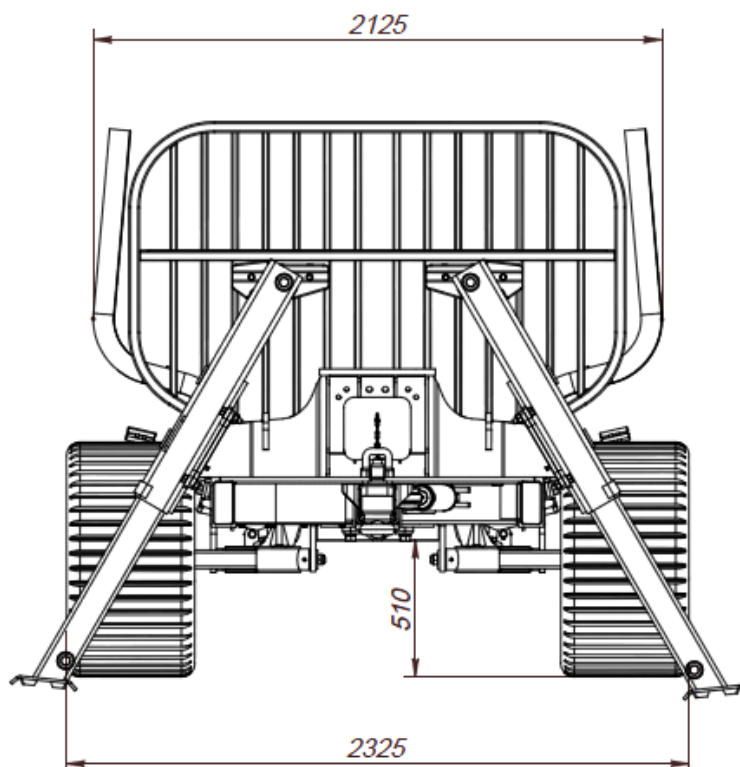
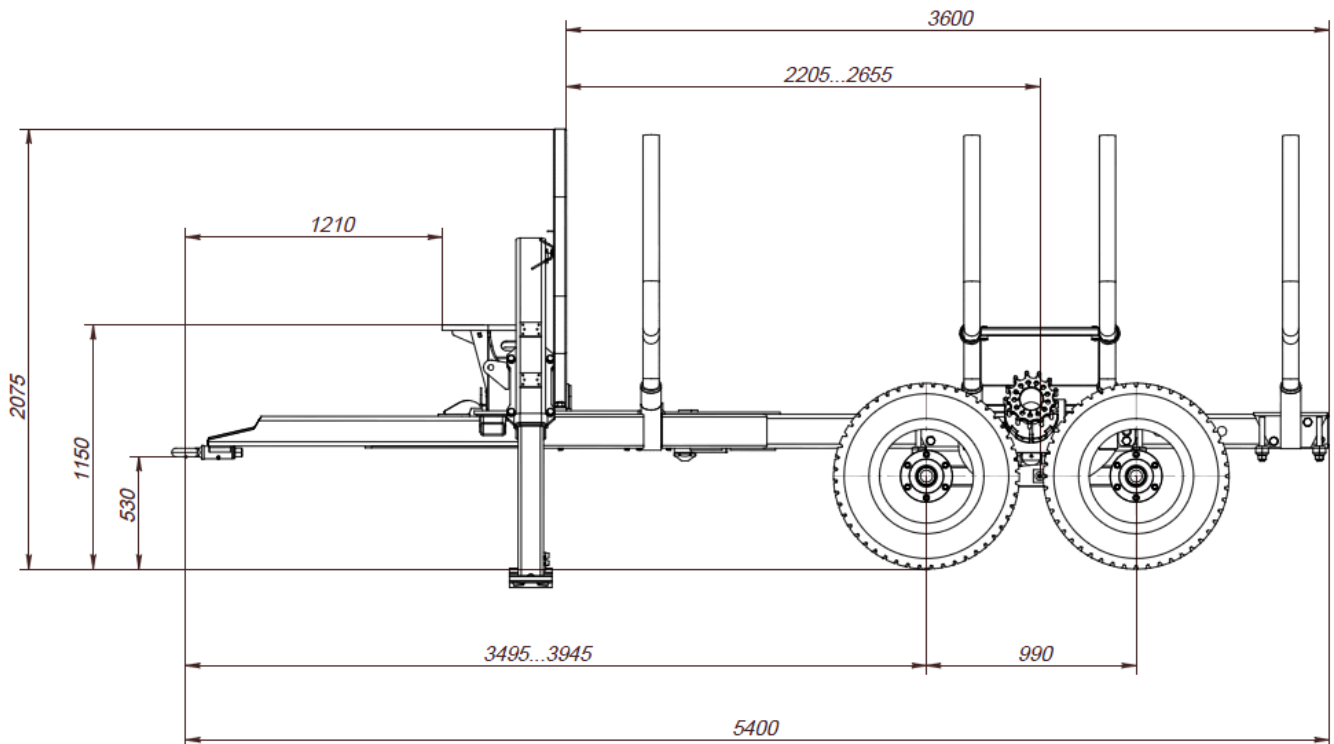
### Farma T10F



REF: 171117



### Farma T10F 4WD



REF: 171117

**4 EC DECLARATION OF CONFORMITY (SAMPLE)*****EC Declaration of Conformity of the Machinery***

Manufacturer:

**Fors MW AS**

Tule 30

76505 Saue

Estonia

The technical file is compiled by **CEO**;I hereby confirm that this **complete trailer FARMA T9F/T9F 4WD/T10F/T10F 4WD**;Trade mark: **FARMA**Function: **lumber trailer**Model: **T9F/T10F**Type: **FT** variant: **T9F/T9F 4WD/T10F/T10F 4WD**VIN: **V60FTF009x01xxxxx/V60FTF009x01Xxxxxx/****V60FTF010x01xxxxx/V60FTF010x01Xxxxxx**Trade name: **FARMA T9F/FARMA T9F 4WD/FARMA T10F/FARMA T10F 4WD**Manufacture year: **xxxx**

is manufactured accordingly to demands in **directive 2006/42/EC** and therefore can be used mounted together with other equipment to provide a complete machine.

The equipment can't be used before the machine or the formation that it will take place in, is accordingly to the demands of the EC Machinery directive.

For the guarantee and safety, it is of uttermost significance that the instruction book is read before the machine is put into service.

Saue, Estonia                      date

sign  
CEO