



**FARMA**®

**LUMBER TRAILER**

**T6**

EN\_S2.2-2019W19

Original instruction

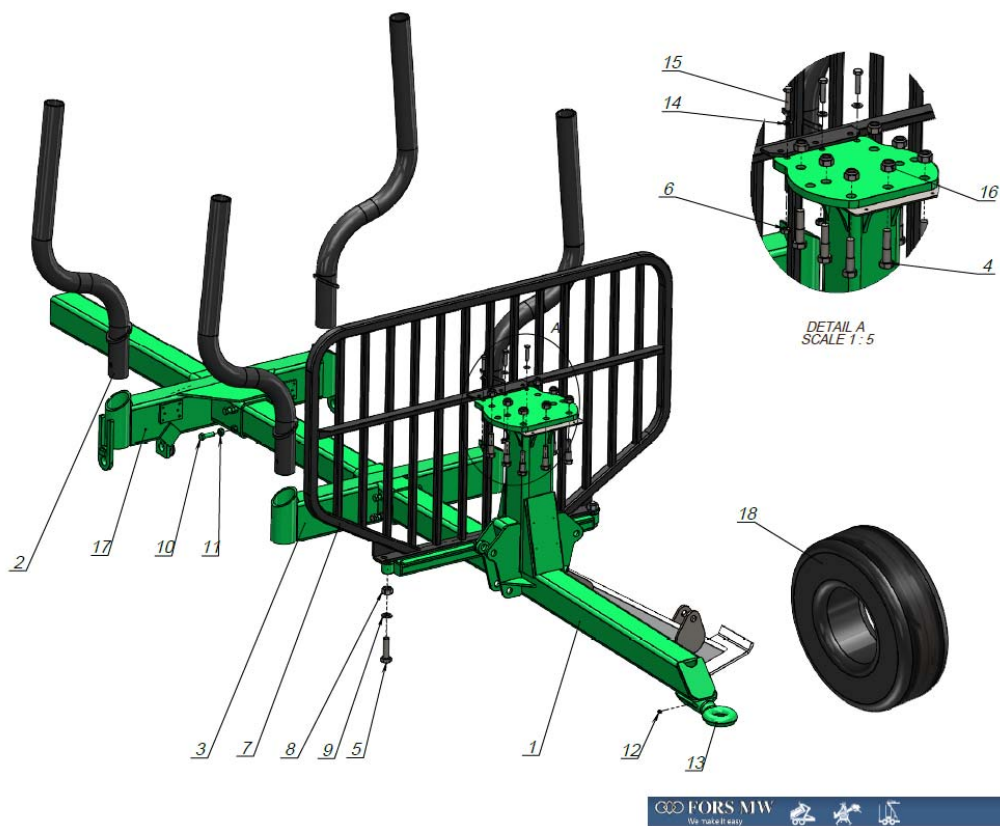
**SPARE PARTS**

# SPARE PARTS

## T6

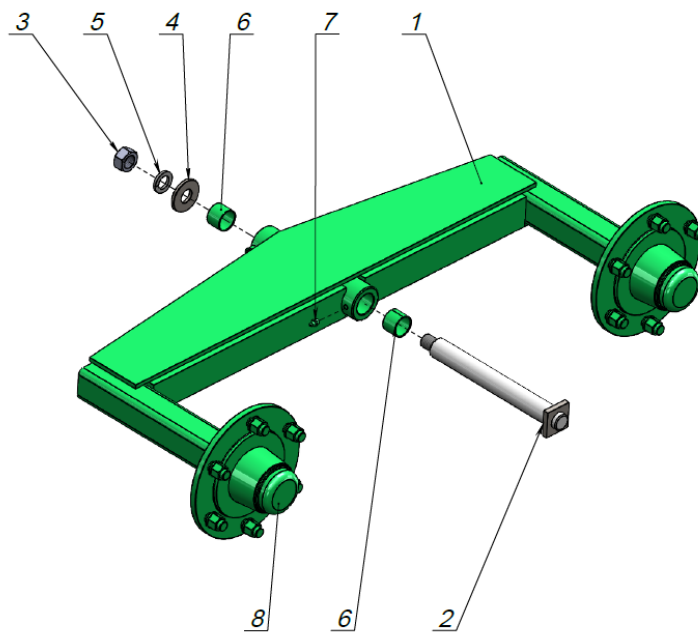
### TABLE OF CONTENTS

1	SPARE PARTS .....	2
1.1	LUMBER TRAILER FARMA T6, MAIN PARTS .....	2
1.2	LUMBER TRAILER T6, BOGIE SIDE .....	3
1.3	LUMBER TRAILER T6, STABILIZER LEG .....	4
2	TECHNICAL SPECIFICATIONS .....	5
2.1	TECHNICAL DATA.....	5
2.2	MAIN DIMENSIONS .....	6

**1 SPARE PARTS**
**1.1 LUMBER TRAILER FARMA T6, MAIN PARTS**

**REF: 190412**
**Main parts, Lumber trailer T6**

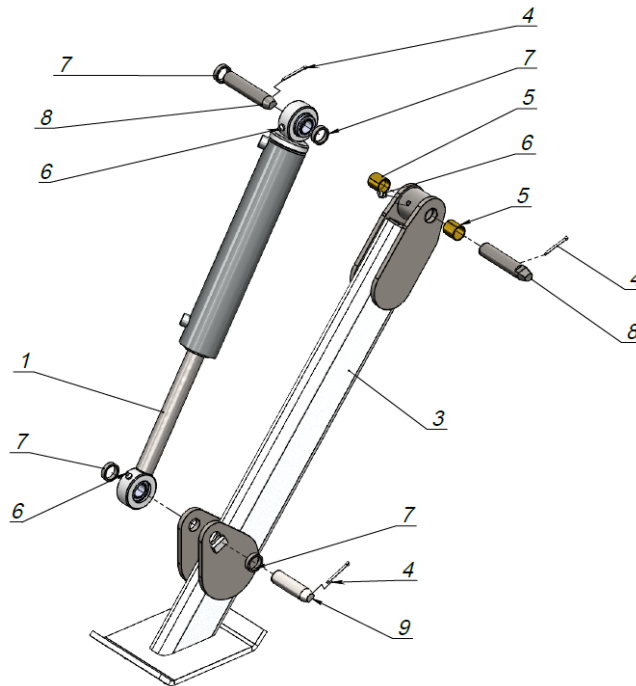
ITEM NO.	PART NUMBER	DESCRIPTION	TYPE	QTY.
1	FMWS00054	Chassis frame T6	-	1
2	FMWS00061	B-post T6	-	4
3	FMWA00138	Sliding support	T6 L=205	1
4	906243	Hexagon bolt	M20x80 fzb DIN 931	7
5	906258	Hexagon bolt	M24x80 fzb DIN 933	2
6	907222	Nut	M12 fzb DIN 934	3
7	FMWS00502	Railing T6	-	1
8	907249	Nut	M24 DIN 934	2
9	908640	Spring washer	M24 fzb DIN 127 B	2
10	906228	Bolt	M10x25 fzb DIN 933	8
11	907234	Nut	M8 fzb DIN 934	8
12	930105	Lubricating nipple	1/8" DIN 71412	1

13	920110	Draw eyelet	-	1
14	908229	Flat Washer	M12 fzb DIN 125	3
15	906204	Hexagon bolt	M12x45 fzb DIN 933	3
16	907246	Nut Hex. Nylock	M20 DIN 985	7
17	FMWS00053	Wheels support	T6	1
18	916510	Tyre	11,5/80-15,3 TT 10PR 6B/0	4

**REF: 190508**
**1.2 LUMBER TRAILER T6, BOGIE SIDE**

**REF: 190417**
**Lumber trailer T6, Bogie side**

ITEM NO.	PART NUMBER	DESCRIPTION	TYPE	QTY.
1	FMWA00073	Bogie T6 assy		1
2	FMWS00062-010	Shaft	GrndØ35 - 328(280)	2
3	907255	Nut	M24 fzb DIN 934	2
4	908275	Flat Washer	M24 fzb DIN 125	2
5	908640	Spring Washer	M24 fzb DIN 127	2
6	909145	Slide Bearing	35-39-30 P DIN 1494	4
7	930105	Lubricating nipple	1/8" DIN 71412	4
8	916/9RT80	Hub Cap	ADR 80	4

**REF: 190417**

**1.3 LUMBER TRAILER T6, STABILIZER LEG**

**REF: 190412**
**Stabilizer leg T6 ASM, FMWA00174**

ITEM NO.	PART NUMBER	DESCRIPTION	TYPE	QTY.
1	313119	Hydraulic cylinder	63/32-300	2
2	37313632	Sealing Kit	63/32	2
3	FMWS00060	Support Leg T6	-	2
4	908110	Splint pin	4x45 DIN 94	6
5	909135	Slide Bearing	25-28-30 P DIN 1494	4
6	930105	Lubricating nipple	1/8" DIN 71412	6
7	FMWP00166	Ring	∅32x3 - 8,5	8
8	FMWP00167-02	Pin	Grnd∅25 - 130	4
9	FMWP00167-04	Pin	Grnd∅25 - 110	2

**REF: 190415**

## 2 TECHNICAL SPECIFICATIONS

### 2.1 TECHNICAL DATA

LUMBER TRAILER	
Max. axle load	6000 kg
Loading area	1,4 m <sup>2</sup>
Ground clearance	475 mm
Wheels/tires dimensions	11,5/80-15,3
Weight of basic trailer, kg	720 kg
Steering angle with frame steering	- degrees

Original instruction

## 2.2 MAIN DIMENSIONS

\*These figures are for illustrative purposes only

