



FARMA®

T12 4WD G2

EN_S1.0-2017W31

Original instructions

SPARE PARTS

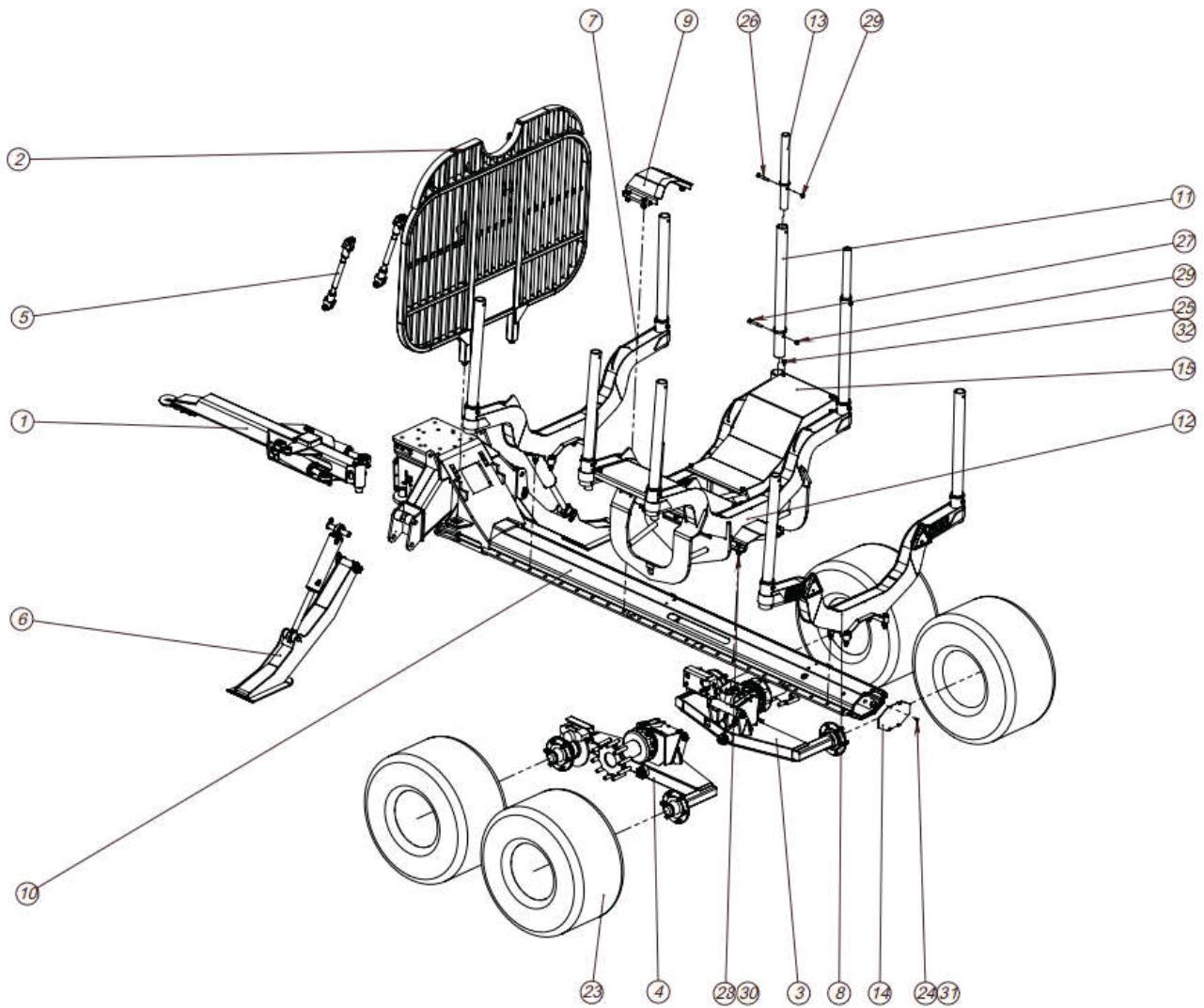
SPARE PARTS

T12 4WD G2

TABLE OF CONTENTS

1	MAIN PARTS, FARMA T12 4WD G2	2
1.1	DRAWBAR ASM	4
1.2	RAILING ASM, FOLDABLE	5
1.3	BOGIE ASM	6
1.3.1	STUB AXLE ASM	8
1.4	TURNBUCKLE FOR RAILING ASM	9
1.5	STABILIZER LEG ASM	10
1.6	BANK WITH POSTS ASM	11
1.7	BANK WITH BACKLIGHTS ASM	12
1.8	HOSE COVER ASM	13
1.9	CHASSIS ASM	14
2	ELECTRICAL & HYDRAULIC SCHEMES	15
2.1	ELECTRICAL SCHEME, FARMA 4WD	15
2.2	ELECTRICAL SCHEME, REAR LIGHTS G2	17
2.3	HYDRAULIC SCHEME, BRAKES DISC 2	18
2.4	HYDRAULIC SCHEME, STEERABLE DRAWBAR	19
2.5	HYDRAULIC SCHEME, STABILIZERS	20
2.6	HYDRAULIC SCHEME, 4WD	21
2.7	HYDRAULIC SCHEME, FOLDABLE RAILING	22
3	EC DECLARATION OF CONFORMITY (SAMPLE)	23

1 MAIN PARTS, FARMA T12 4WD G2

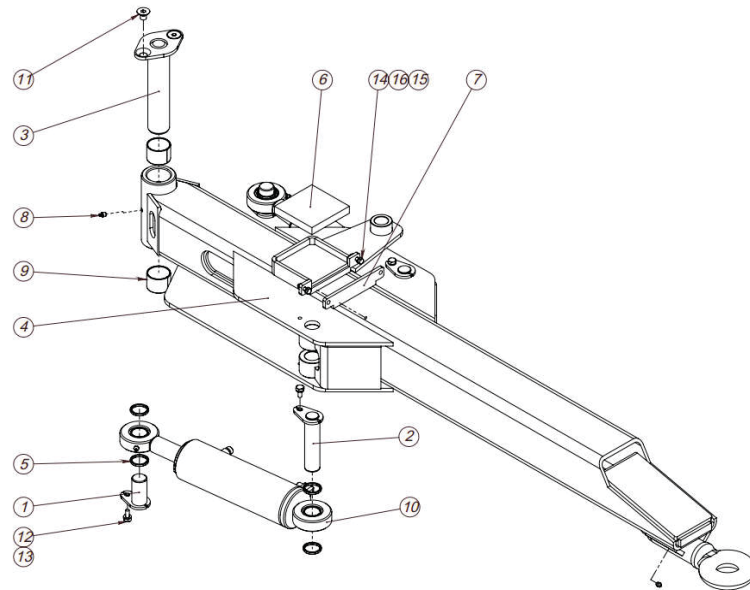


REF: 161028

Main parts FARMA T12 4WD G2 (FMWA00181)

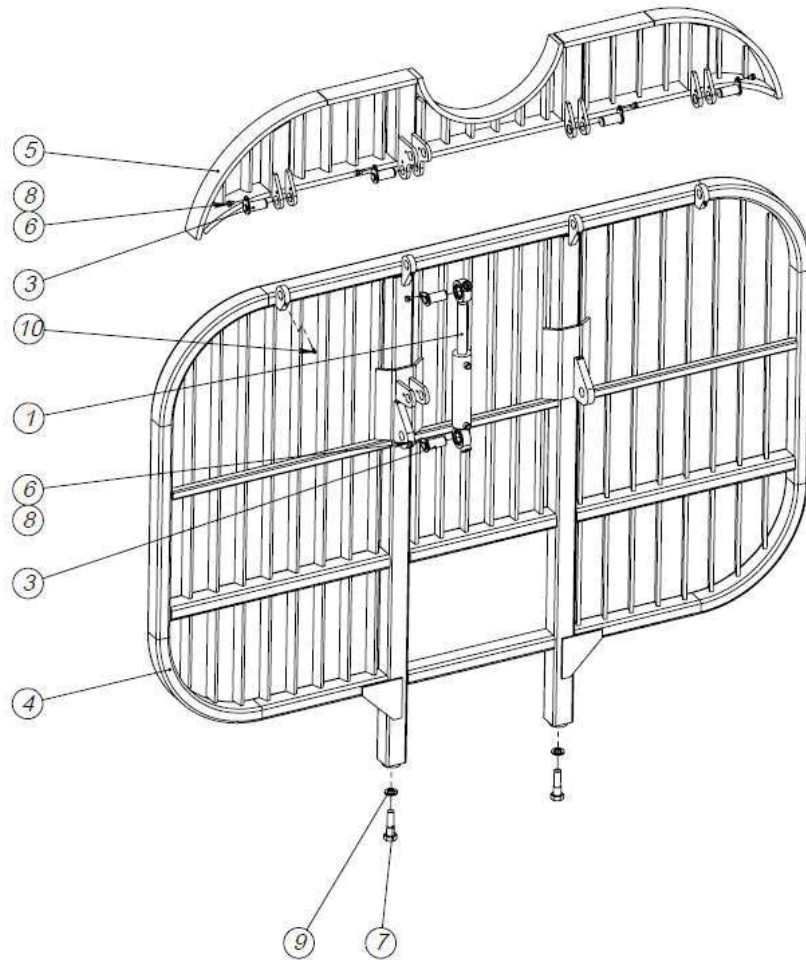
ITEM NO.	PART NUMBER	DESCRIPTION	TYPE	QTY.
1	FMWA00190	Drawbar ASM	T10-T14 G2 STD	1
2	FMWA00204	Railing foldable ASM	T14 G2	1
3	FMWA00218	Bogie ASM, right	T14 4WD	1
4	FMWA00218-01	Bogie ASM, left	T14 4WD	1
5	FMWA00221	Turnbuckle for railing	-	2
6	FMWA00228	Stabilizer leg ASM	T10-T14 G2	2
7	FMWA00323	Banks with posts ASM	T10-T14 G2	1
8	FMWA00323-01	Bank with backlights ASM	T10-T14 G2	1
9	FMWA00359	Hose cover ASM	T14 G2	1
10	FMWS00572-02	Chassis mov. wheel support	T14 G2	1
11	FMWS00580	Straight post	T10-T14 G2	4
12	FMWS00583	Movable wheel support	T14 G2	1
13	FMWS00626	Prolonged pin	T7-T16 L=600	4
14	FMWP03120	Cover plate	PLT5 - 334x186	1
15	FMWP03218	Bogie cover	PLT6 - 1231x525	2
23	916537L/R	Wheel	500/55-17" „-70“	4
24	906158	Bolt Hex. Cap	M8x20 fzb DIN 933	4
25	906222	Bolt Hex. Cap	M16x25 fzb DIN 933	8
26	906230	Bolt Hex. Cap	M16x90 fzb DIN 931	4
27	914521	Bolt Hex. Cap	M16x110 fzb DIN 931	4
28	906242	Bolt Hex. Cap	M20x70 fzb DIN 931	8
29	907237	Nut Hex. Nylock	M16 fzb DIN 985	8
30	907246	Nut Hex. Nylock	M20 fzb DIN 985	8
31	908615	Washer Spring	M8 fzb DIN 127	4
32	908630	Washer Spring	M16 fzb DIN 127	8

REF: 161028

1.1 DRAWBAR ASM

REF: 150604
Drawbar ASM, FARMA T10-T14 G2 (FMWA00190)

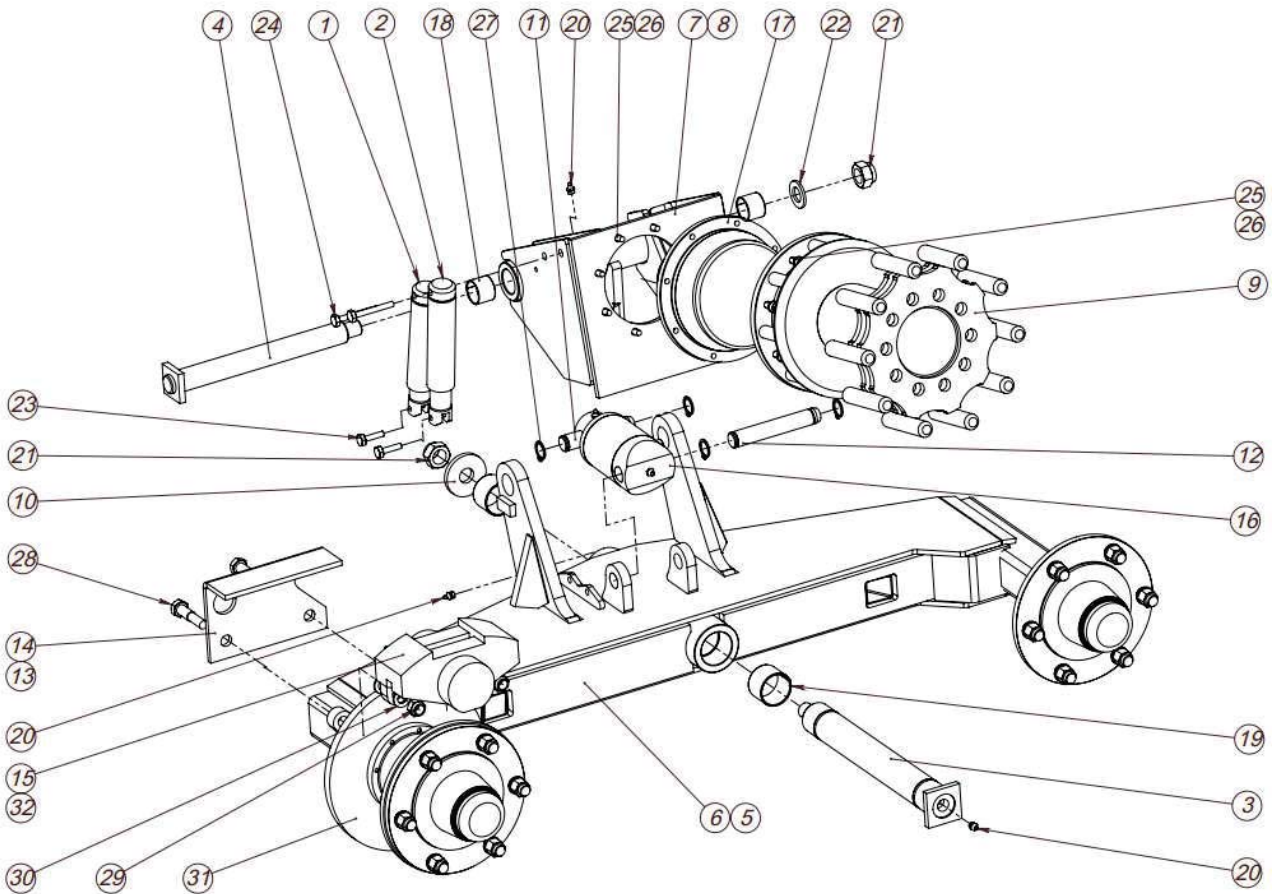
ITEM NO.	PART NUMBER	DESCRIPTION	TYPE	QTY.
1	FMWS00426	Shaft compl.	GrndØ35h9 - 77(68) M10	2
2	FMWS00428	Shaft compl.	GrndØ35h9 - 149(140)	2
3	FMWS00584	Shaft	Grnd50h8 - 242(234)	1
4	FMWS00613	Drawbar	T10-T14 G2 STD	1
5	FMWP00083-02	Shim	PLT5-D45/d36	8
6	FMWP02223-01	Glide plastic	PLT20 - 122x122	1
7	FMWP04242	Plate	PLT8- 190x38/2xd10	1
8	930105	Grease nipple	1/8" DIN 71412	2
9	909150	Slide Bearing	50-55-40 P DIN 1494	2
10	313137	Hydraulic cylinder	90/40 - 200	2
-	31313940	Sealing kit for hyd. cylinder	90/40	-
11	906221	Bolt Hex. Socket	M16x20 fzb DIN 7991	2
12	906170	Bolt Hex. Cap	M10x20 fzb DIN 933	4
13	908620	Washer Spring	M10 fzb DIN 127	4
14	906163	Bolt Hex. Cap	M8x30 fzb DIN 933	2
15	907213	Nut Hex. Nylock	M8 fzb DIN 985	2
16	908615	Washer Spring	M8 fzb DIN 127	2

REF: 150604

1.2 RAILING ASM, FOLDABLE

REF: 141121
Railing foldable ASM, FARMA T12-T14 G2 (FMWA00204)

ITEM NO.	PART NUMBER	DESCRIPTION	TYPE	QTY.
1	313121	Hydraulic cylinder	40/25 - 120	1
-	37313100	Sealing kit for hyd. cylinder	40/25	-
3	FMWS00269	Shaft	Grnd25 - 63(55) ZN	6
4	FMWS00616-01	Railing	T12-T14 G2	1
5	FMWS00623	Railing extension	T12-T14 G2	1
6	906150	Bolt Hex. Cap	M8x12 fzb DIN 933	6
7	906242	Bolt Hex. Cap	M20x70 fzb DIN 931	2
8	908615	Washer Spring	M8 fzb DIN 127	6
9	908635	Washer Spring	M20 fzb DIN 127	2
10	930107	Grease nipple	M6x1,0 DIN 71412	4

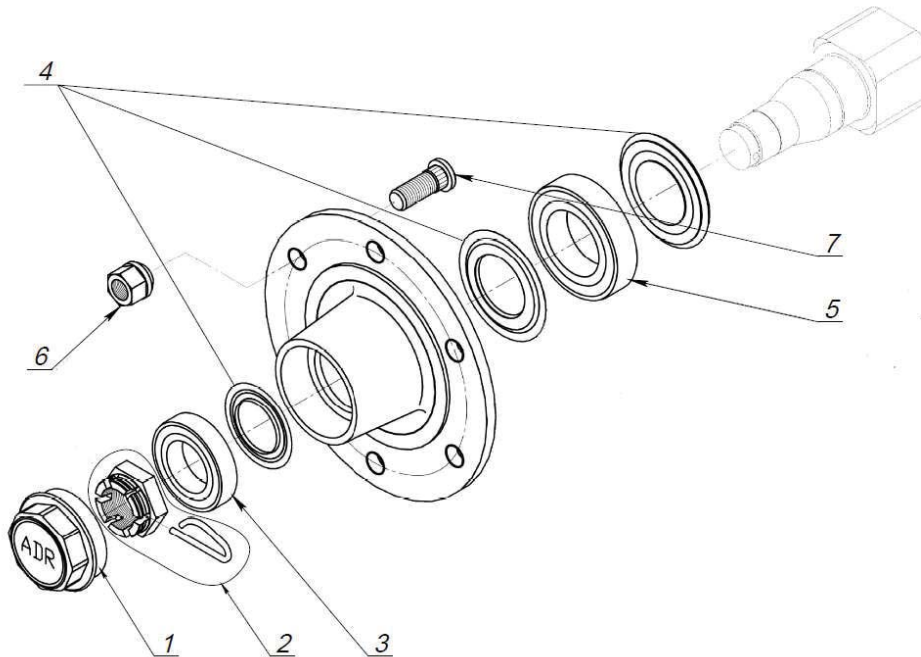
REF: 141121

1.3 BOGIE ASM

REF: 160115
Bogie ASM (left FMWA00218-01, right FMWA00218)

ITEM NO.	PART NUMBER	DESCRIPTION	TYPE	Left QTY.	Right QTY.
1	FMWA00267-01	Gas cylinder (spring) ASM	Short (spring 60 mm)	1	1
2	FMWA00267	Gas cylinder (spring) ASM	Long (spring 85 mm)	1	1
3	FMWS00021-030	Shaft	Grnd50 - 438(393)	1	1
4	FMWS00062-060	Shaft	Grnd35 - 345(300)	1	1
5	FMWS00085	Bogie side, right	T14 4WD, D2	-	1
6	FMWS00085-10	Bogie side, left	T14 4WD, D2	1	-
7	FMWS00086	Drive wheel bracket, left	T9/T14 4WD	1	-
8	FMWS00086-01	Drive wheel bracket, right	T9/T14 4WD	-	1
9	FMWS00087	Robson drive roller	T14 4WD	1	1
10	FMWP00080	Washer	PLT8-D70/d25	1	1
11	FMWP00312-020	Pin	Grnd25-125	1	1
12	FMWP00312-010	Pin	Grnd25-155	1	1

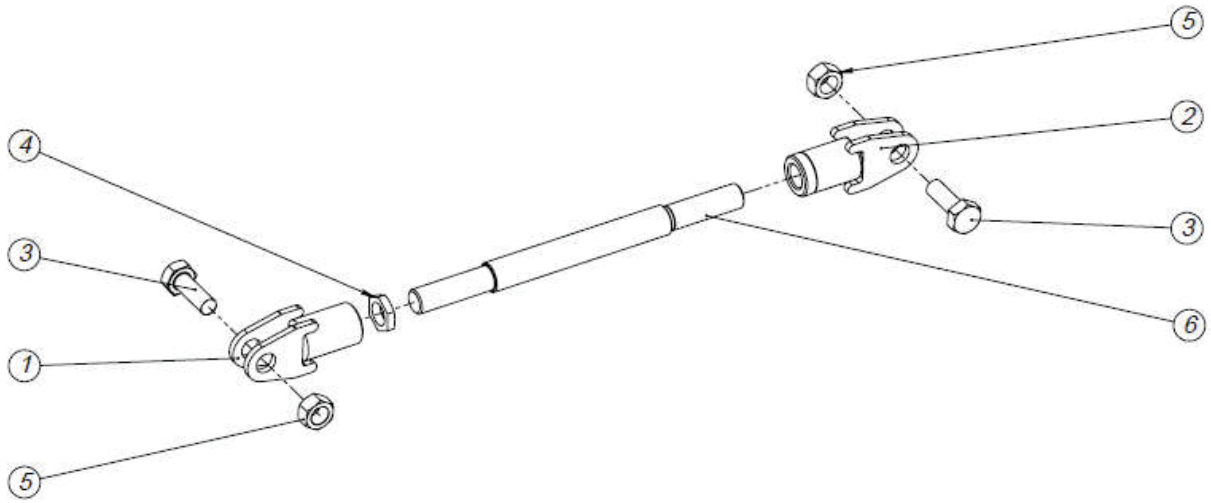
13	FMWP04379	Casing	PLT8-210x197	-	1
14	FMWP04379-01	Casing	PLT8-210x197	1	-
15	920320	Brake caliper	2-60	1	1
16	313105	Hydraulic cylinder one way	80/60 - 35	1	1
-	37313842	Sealing kit for hyd. cylinder	80/60	-	-
17	915145M	Hydraulic motor	127cc 6,2 4WD	1	1
18	909145	Slide bearing	35 39 30 P DIN1494	2	2
19	909150	Slide bearing	50 55 40 P DIN1494	2	2
20	930105	Grease nipple	1/8" BSP DIN 71412	3	3
21	907252	Nut Hex. Nylock	M24 DIN 985	2	2
22	908275	Washer Flat	M24 DIN125	1	1
23	906176	Bolt Hex. Cap	M10x35 DIN 933	2	2
24	906185	Bolt Hex. Cap	M10x70 DIN 933	2	2
25	906172	Bolt Hex. Socket	M10x25 DIN 912	16	16
26	908620	Washer Spring	M10 DIN 127	16	16
27	911255	Lock-ring	SGA 25, DIN 471	4	4
28	906229	Bolt Hex. Cap	M16x70 DIN 931	2	2
29	907237	Nut Hex. Nylock	M16 DIN 985	2	2
30	908267	Washer Flat	M16 DIN 125	4	4
31	W13-090101.00	Disc brake	-	1	1
32	920321	Brake pads caliper Brembo	2-60 IPPI	2	2
-	920321S	Sealing kit for Brembo	2-60 IPPI	-	-
ITEM NO.	PART NUMBER	DESCRIPTION	TYPE	Left QTY.	Right QTY.

REF: 160115

1.3.1 STUB AXLE ASM

REF: 161109
Stubaxle ASM, 916115 - S70NA600026, 70x400 6M18

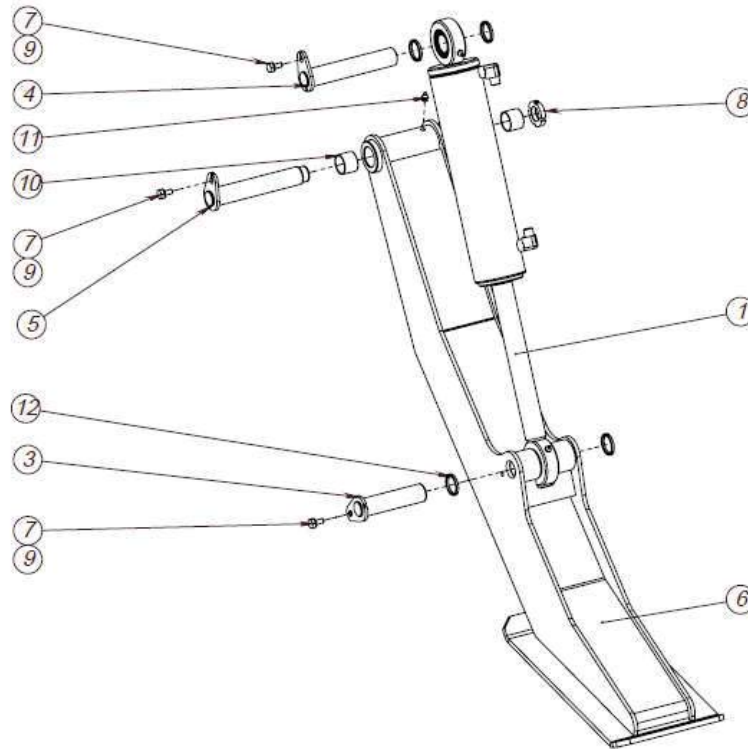
ITEM NO.	PART NUMBER	DESCRIPTION	TYPE	QTY.
1	916/9RT90	Hub Cap ADR 90	-	1
2	916315	Crown nut set	M39x2	1
3	910260	Wheel bearing	32210 J2/Q	1
4	916345	Seal kit stub axle	NA 120x65	1
5	910256	Wheel bearing	32013	1
6	916476	Wheel nut	M18x1,5	6
7	916472	Wheel bolt	M18x1,5x49	6

REF: 161109

1.4 TURNBUCKLE FOR RAILING ASM

REF: 141121
Turnbuckle for railing ASM, FARMA T10-T16 G2 (FMWA00221)

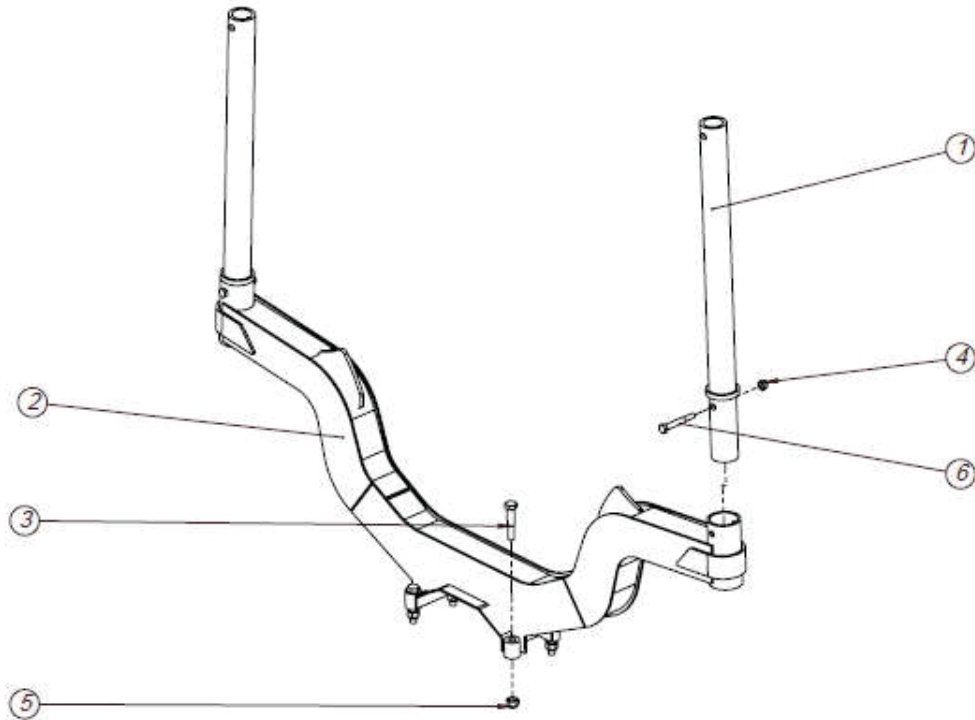
ITEM NO.	PART NUMBER	DESCRIPTION	TYPE	QTY.
1	FMWS00073	Turnbuckle nut, right hand	-	1
2	FMWS00073-01	Turnbuckle nut, left hand	-	1
3	906255	Bolt Hex. Cap	M24x60 fzb DIN 933	2
4	907100	Nut Hex.	M30x1,5 DIN 936 ZN	1
5	907255	Nut Hex.	M24 DIN 934	2
6	FMWP02326	Shaft	Rnd36 – 440 M30 L+R	1

REF: 141121

1.5 STABILIZER LEG ASM

REF: 161026
Stabilizer leg ASM, FARMA T10-T14 G2 (FMWA00228 – left and right)

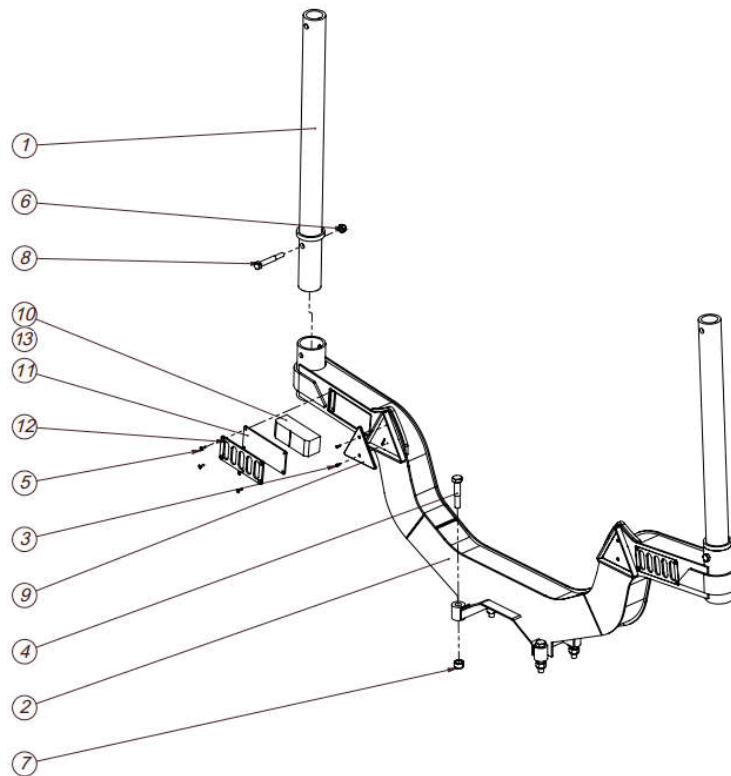
ITEM NO.	PART NUMBER	DESCRIPTION	TYPE	Left QTY.	Right QTY.
1	313135	Hydraulic cylinder, left	90/50x300	1	-
-	3731309050	Sealing kit 90/50	90/50	-	-
1	313134	Hydraulic cylinder, right	90/50x300	-	1
-	3731309050	Sealing kit 90/50	90/50	-	-
3	FMWS00427	Shaft compl.	GrndØ35h9 - 145 (136)	1	1
4	FMWS00427-02	Shaft compl.	GrndØ35h9 - 201(192)	1	1
5	FMWS00429	Shaft compl.	GrndØ35h9 - 217(192) M30	1	1
6	FMWS00570	Stabilizer leg	T10-T14 G2	1	1
7	906170	Bolt Hex. Cap	M10x20 fzb DIN 933	3	3
8	907550	Nut Lock/Round	M30x1,5 N DIN 1804	1	1
9	908620	Washer Spring	M10 fzb DIN 127	3	3
10	909145	Slide Bearing	35-39-30 P DIN 1494	2	2
11	930105	Grease nipple	1/8 " BSP DIN 71412	1	1
12	FMWP00083	Shim	PLT6-D45/d36	4	4

REF: 161026

1.6 BANK WITH POSTS ASM

REF: 141121
Bank with posts ASM, FARMA T10-T14 G2 (FMWA00323)

ITEM NO.	PART NUMBER	DESCRIPTION	TYPE	QTY.
1	FMWS00580	Straight post	T10-T14 G2	2
2	FMWS00614	Banks	T10-T14 G2	1
3	906248	Bolt Hex. Cap	M20x100 DIN 931	4
4	907237	Nut Hex. Nylock	M16 fzb DIN 985	2
5	907246	Nut Hex. Nylock	M20 fzb DIN 985	4
6	914521	Bolt Hex. Cap	M16x110 fzb DIN 931	2

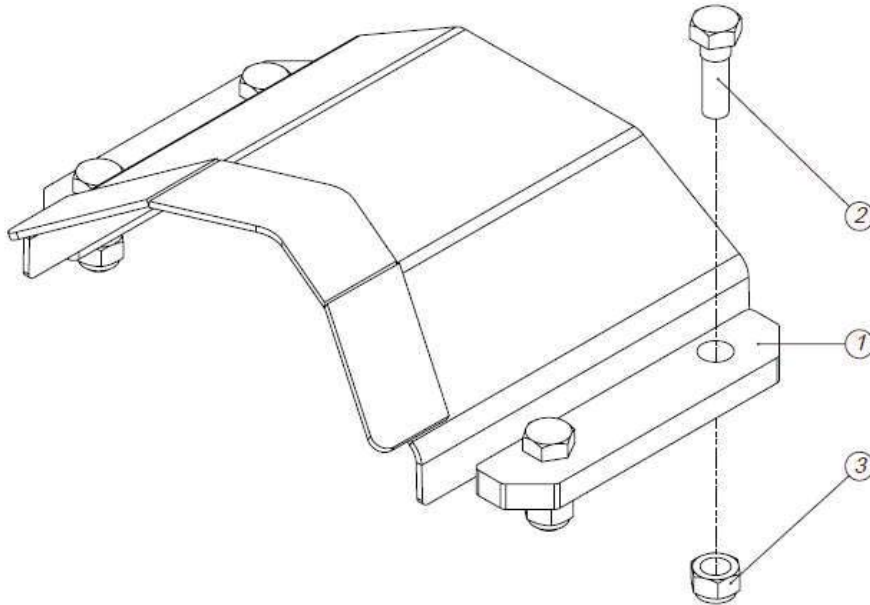
REF: 141121

1.7 BANK WITH BACKLIGHTS ASM

REF: 161026
Bank with backlights ASM, FARMA T10-T14 G2 (FMWA00323-01)

ITEM NO.	PART NUMBER	DESCRIPTION	TYPE	QTY.
1	FMWS00580	Straight post	T10-T14 G2	2
2	FMWS00614-01	Banks with lights	T10-T14 G2	1
3	906128	Bolt Slotted	M5x12 DIN 84	4
4	906248	Bolt Hex. Cap	M20x100 DIN 931	4
5	906512	Bolt Hex. Socket	M6x20 fzb DIN 7991	8
6	907237	Nut Hex. Nylock	M16 fzb DIN 985	2
7	907246	Nut Hex. Nylock	M20 fzb DIN 985	4
8	914521	Bolt Hex. Cap	M16x110 fzb DIN 931	2
9	920155	Reflector Red, 3-angle	Triangle, small	2
10	920762-1L	Rear light LED, left	CS-LTL2060	1
10	920762-1R	Rear light LED, right	CS-LTL2060	1
11	FMWP03562	Plexiglas	PLT5 - 208x90	2
12	FMWP03563	Plate for lights	PLT6 - 208x90	2
13	FMWP04726	Light holder	PLT1,5-258x90 DC01	2

REF: 161026

1.8 HOSE COVER ASM

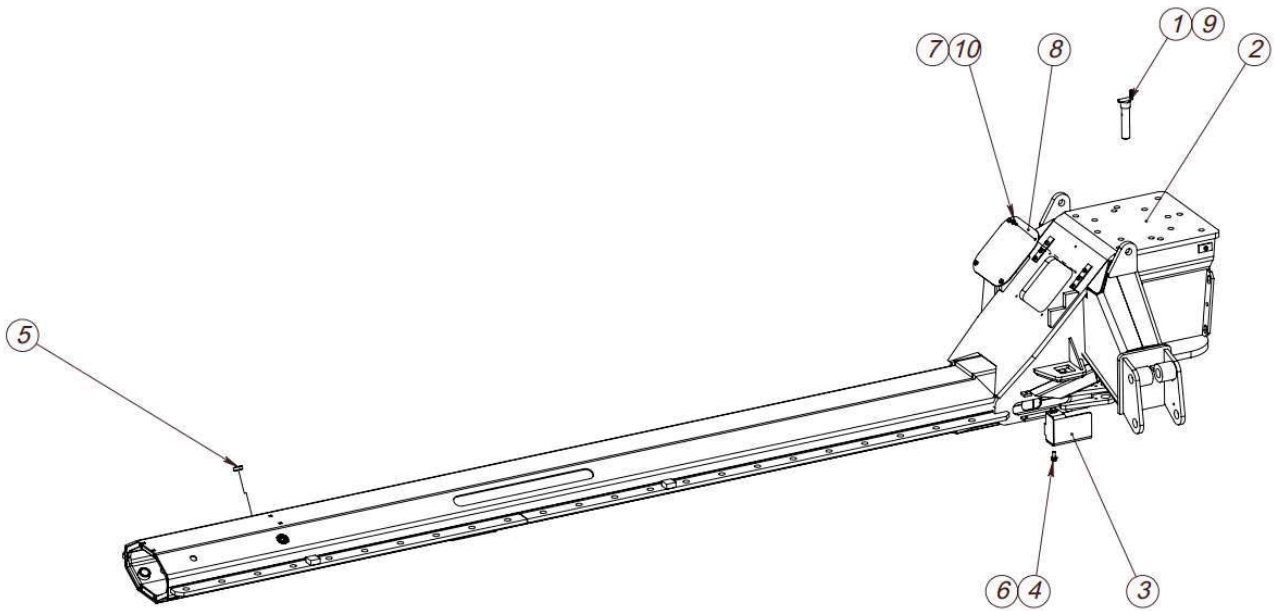


REF: 141121

Hose cover ASM, FARMA T12 G2 (FMWA00359)

ITEM NO.	PART NUMBER	DESCRIPTION	TYPE	QTY.
1	FMWS00737	T14 G2 hose cover		1
2	906241	Bolt Hex. Cap	M20x60 DIN 931	4
3	907246	Nut Hex. Nylock	M20 fzb DIN 985	4

REF: 141121

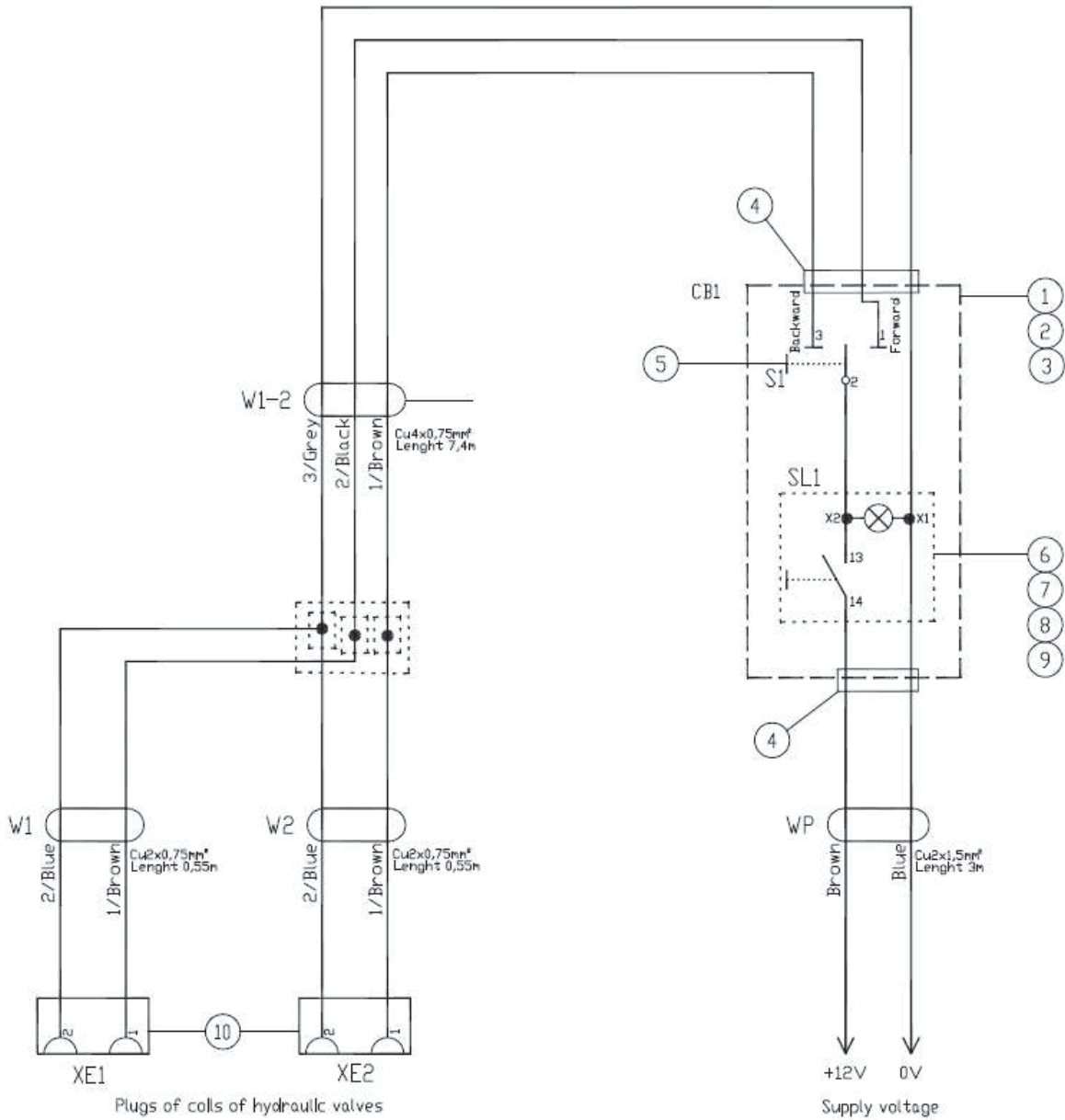
1.9 CHASSIS ASM

REF: 141121
Chassis ASM, FARMA T14 G2 (FMWS00572-02)

ITEM NO.	PART NUMBER	DESCRIPTION	TYPE	QTY.
1	104067.12.00-01	Sprint	Rnd36-151(128) + Rnd12-60	1
2	FMWS00572-02	Chassis	T14 G2	1
3	FMWS00666	Hose cover	T14G2	1
4	906192	Bolt Hex. Cap	M12x25 fzb DIN 933	3
5	906960	Pipe plug G1"	DIN 906	4
6	908625	Washer Spring	M12 fzb DIN127	3
7	906154	Bolt Hex. Cap	M8x16 DIN 933	4
8	FMWP03240	Plate	PLT3 - 260x260	1
9	920231	Spring cotter	Single Ø4-72 DIN 11024	1
10	908615	Washer Spring	M8 DIN 127	4

REF: 141121

2 ELECTRICAL & HYDRAULIC SCHEMES

2.1 ELECTRICAL SCHEME, FARMA 4WD

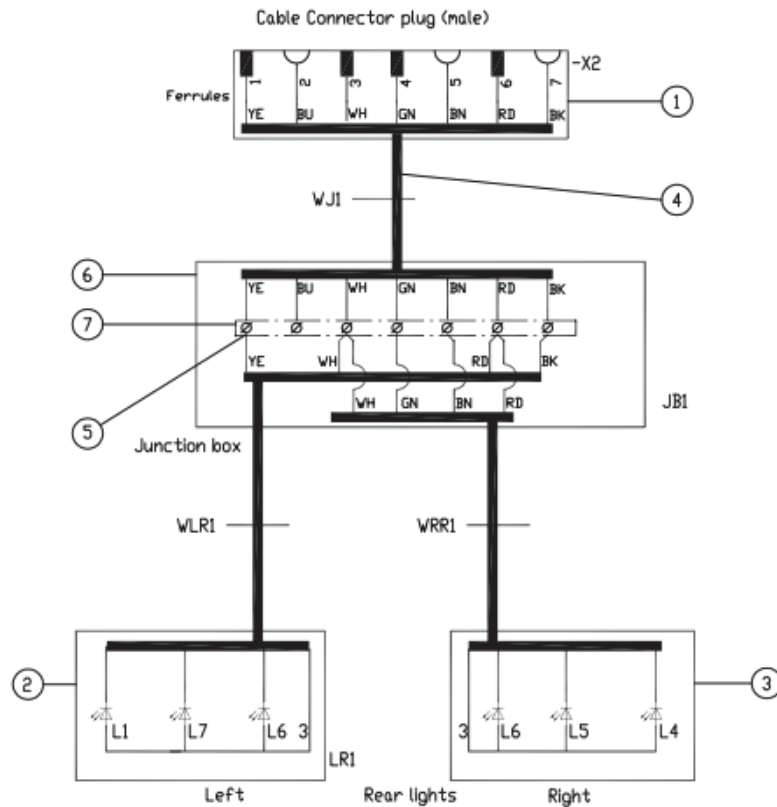


REF: 141121

Electrical scheme, Farma 4WD (FMWE00004)

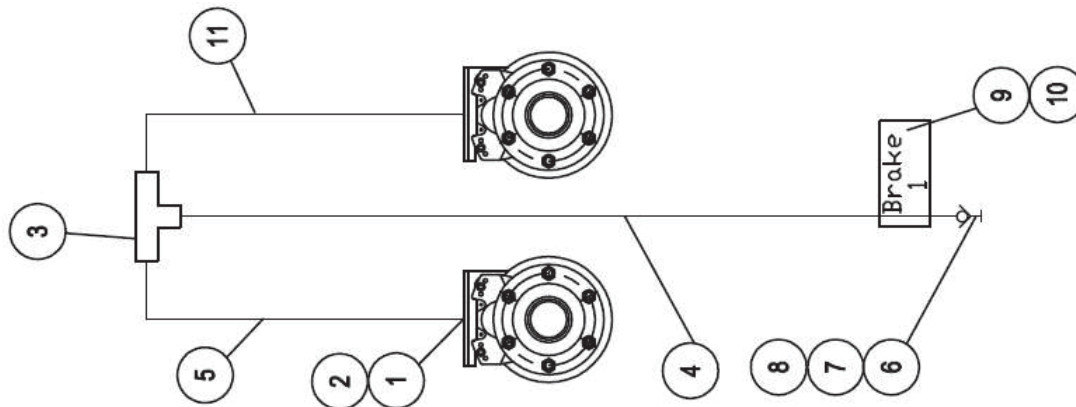
ITEM NO.	PART NUMBER	DESCRIPTION	TYPE	QTY.
1	922710	Connection box	Bos-Ecoline 80x42x50	1
2	922711	End caps	Bos-Ecoline 80x42x50	2
3	FMWP02713	Label plate	4WD	1
4	922265	Grommet	FEM 5-7	2
5	922421	Toggle switch	ON-OFF-ON, 5639M	1
6	922451	Push-button D=18mm	Round 61-1210.0 (EAO)	1
7	922471	Lins green D=18mm	Round green 61-9311.5 (")	1
8	922481	Bontact block D=18mm	ON-OFF 61-8410 (")	1
9	920710	Signal bulb	Lamp 14V MG T1 3/4	1
10	940175	Valve connector	Hirschman w/o Diod	2

REF: 141121

2.2 ELECTRICAL SCHEME, REAR LIGHTS G2

REF: 161026
Electrical scheme, rear lights G2 (FMWE00007-03)

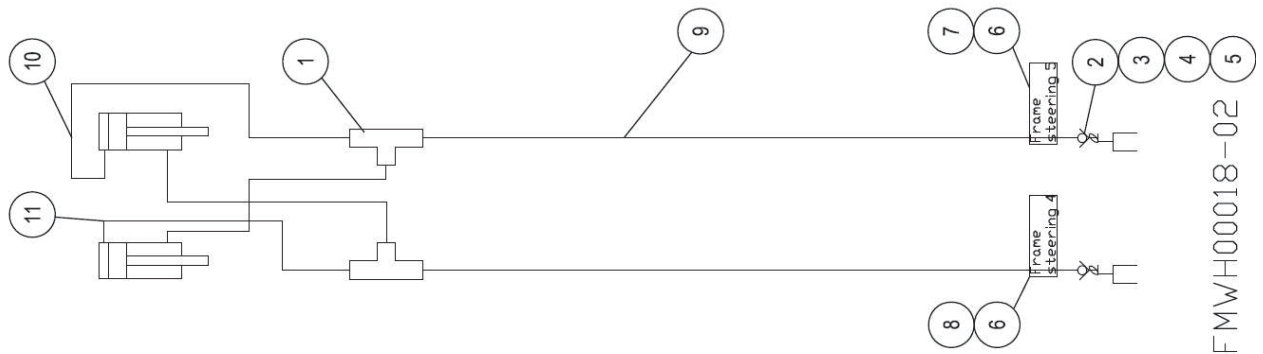
ITEM NO.	PART NUMBER	DESCRIPTION	TYPE	QTY.
1	920695	Connector	7 poles male	1
2	920762-1L	Rear light LED, left	GS-L TL2060	1
3	920762-1R	Rear light LED, right	GS-L TL2060	1
4	920666	PVC cable	6x1,5+1x2,5 mm ²	6 m
5	922160	Ferrule	2,5 mm ² with insul.	13
6	922706	Connection box	U-56 IP65, without terminal	1
7	922176	Terminal strip 10 mm ²	76 CE WS	1

REF: 161026

2.3 HYDRAULIC SCHEME, BRAKES DISC 2

REF: 141121
Hydraulic scheme, FARMA T10-T14 G2 Brakes Disc 2 (FMWH00018-01)

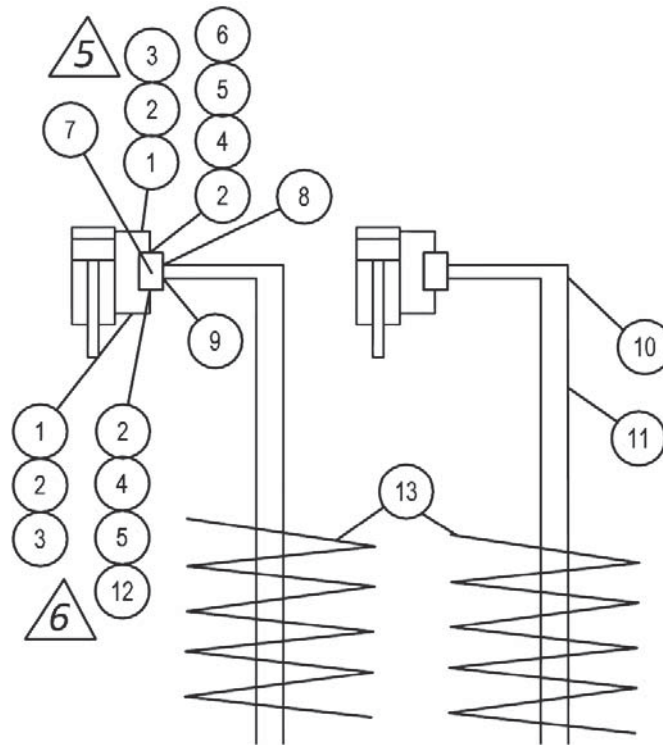
ITEM NO.	PART NUMBER	DESCRIPTION	TYPE	QTY.
1	914746	Straight nipple	7019-04-10; R1/4"UFxM10x1UF	2
2	914578	Rubber seal	5601-01-02; R1/8"	2
3	914768	T-nipple	7401-04-04; 1/4"UFxUFxUFT	1
4	FMWH00344	H-hose	42010404-1/4(7100)-42010604	1
5	FMWH00345	H-hose	42030404-1/4(1300)-42030404	1
6	914716	Straight nipple	7002-06-06; G3/8"UFxG3/8"UF	1
7	914582	Rubber seal	5601-01-06; R3/82	1
8	914640	Brake coupling	3/8" Female ISO5676	1
9	922230	Heat shrink tube	SR 19,1-10,2 L=80 mm	1
10	925030	Sticker	Brake 1 yellow	1
11	FMWH00548	H-hose	42010404-1/4(1200)-42030404	1

REF: 141121

2.4 HYDRAULIC SCHEME, STEERABLE DRAWBAR

REF: 141121
Electrical scheme, FARMA T10–T14 G2 (FMWH00018-02) steerable drawbar

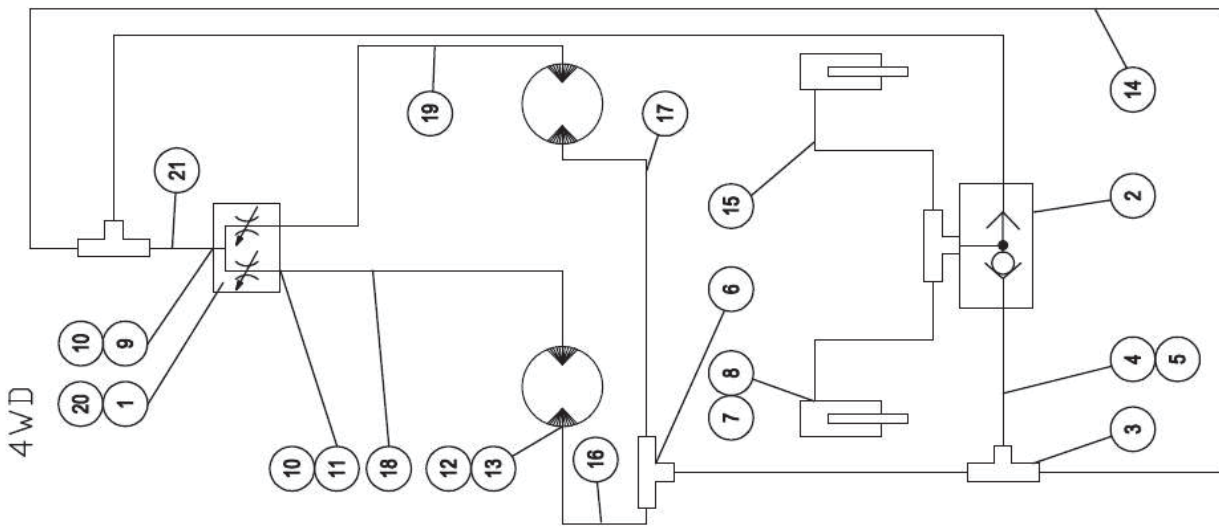
ITEM NO.	PART NUMBER	DESCRIPTION	TYPE	QTY.
1	914770	T-nipple	7401-06-06; 3/8"UFxUFxUFT	2
2	914714	Straight nipple	7002-04-08; G1/4"UFxG1/2"UF	2
3	914584	Rubber seal	5601-01-08; R1/2"	2
4	914570	Bayonet coupling	5550-02-08; M 1/2"	2
5	914573	Dust cover	5551-05-08; F 1/2"	2
6	922230	Heat shrink tube	SR 19,1-10,2 L=80 mm	2
7	925036	Sticker	Label No4 Frame Steering Red	1
8	925038	Sticker	Label No5 Frame Steering Blue	1
9	FMWH00346	H-hose	42010404-1/4(1900)-42010604	2
10	FMWH00347	H-hose	42010604-1/4(470)-42030604	2
11	FMWH00348	H-hose	42010604-1/4(470)-42050604	2

REF: 141121

2.5 HYDRAULIC SCHEME, STABILIZERS

REF: 170124
Hydraulic scheme FARMA T10-T14 G2 (FMWH00018-03) Stabilizers STD

ITEM NO.	PART NUMBER	DESCRIPTION	TYPE	QTY.
1	914284	Banjo pipe	09R1210 L=85	4
2	914582	Rubber seal	3/8" 5601-01-06	16
3	914441	Banjo bolt	4280-01-06; 3/8"	4
4	914301	Straight fit	6003-12-07; GE12L-3/8"	2
5	914306	Cutting ring	B12 L/S 6149-01-12; d12	4
6	914304	Nut M12L	6150-00-12; d12	4
7	915147-1	Hyd lock	VBD-38-SF	2
8	914750	Cartridge nipple	7090-06-06; G3/8" UF x G3/8" UR	2
9	914716	Straight nipple	7002-06-06 G3/8"UFxG3/8"UF	2
10	FMWH00349	H-hose	4201-0606-3/8(1150)-42030606	2
11	FMWH00350	H-hose	4201-0606-3/8(1870)-42030606	2
12	FMWP05791	Nipple machining	6003-12-07; GE12L-3/8"	2
13	930320	Spiro PIPE	Dia. 32x3 mm yellow	2,5m

REF: 170124

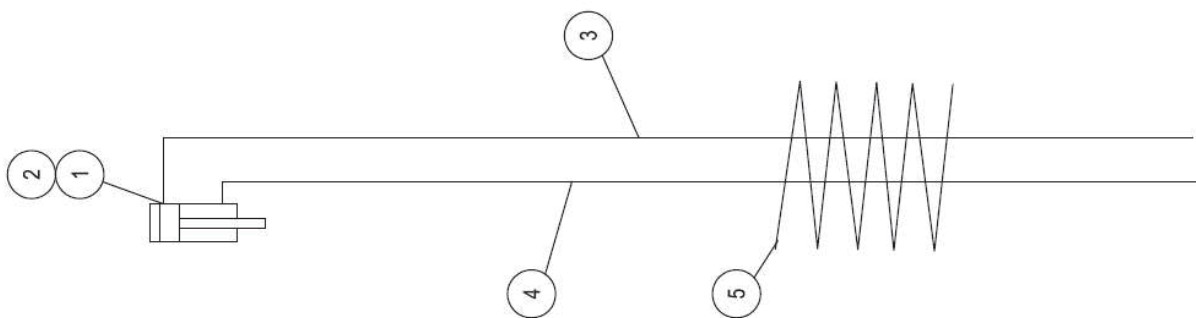
2.6 HYDRAULIC SCHEME, 4WD

REF: 141121
Hydraulic scheme FARMA T10-T14 G2 (FMWH00018-04) 4WD

ITEM NO.	PART NUMBER	DESCRIPTION	TYPE	QTY.
1	915167	Flow Divider	0-90 litre for 4WD	1
2	915169	Shuttle Valve	1/2" for 4 WD	1
3	914785	T-nipple	7403-12-12; 1/2"UF x UF x IRT	3
4	914584	Rubber seal	5601-01-08; G1/2"	3
5	914720	Straight nipple	7002-08-08; R1/2"UF x R1/2"UF	3
6	914772	T- nipple	7401-08-08; 1/2"UF x UF x UFT	1
7	914710	Straight nipple	7002-04-04; R1/4"UF x R1/4"UF	2
8	914580	Rubber seal	5601-01-04; R1/4"	2
9	914722	Straight nipple	7002-08-12; R1/2"UF x R3/4"UF	1
10	914586	Rubber seal	5601-01-12; R3/4"	3
11	914722	Straight nipple	7002-08-12; R1/2"UF x R3/4"UF	2
12	914716	Straight nipple	7002-06-06; R3/8"UF x R3/8"UF	4
13	914582	Rubber seal	5601-01-06; G3/8"	4
14	FMWH00351	H-hose	42010808-1/2(5000)-42040808	2
15	FMWH00352	H-hose	42010404-1/4(570)-42010604	2
16	FMWH00547	H-hose	42050806-3/8(420)-42030606	1
17	FMWH00354	H-hose	42050806-3/8(650)-42030606	1

18	FMWH00546	H-hose	42010606-3/8(450)-42030606	1
19	FMWH00355	H-hose	42010606-3/8(710)-42030606	1
20	915168	Valve Body	For 4WD	1
21	914740	Straight nipple	7008-08-08 R1/2"UF x R 1/2"IR	1
ITEM NO.	PART NUMBER	DESCRIPTION	TYPE	QTY.

REF: 141121

2.7 HYDRAULIC SCHEME, FOLDABLE RAILING



REF: 141121

Hydraulic scheme FARMA T10-T14 G2 (FMWH00018-05) Foldable railing

ITEM NO.	PART NUMBER	DESCRIPTION	TYPE	QTY.
1	914582	Rubber seal	5601-01-03; G3/8"	2
2	914716-1	Straight nipple(chock)	7092-06-06;3/8"UFx3/8"UF	2
3	FMWH00482	H-hose	42050604-1/4(3350)-42010404	1
4	FMWH00483	H-hose	42050604-1/4(3200)-42010404	1
5	930310	Spiro pipe	∅ 25x2,5 mm yellow, L=3000	1

REF: 141121

3 EC DECLARATION OF CONFORMITY (SAMPLE)

EC Declaration of Conformity of the Machinery

Manufacturer:

Fors MW AS

Tule 30

76505 Saue

Estonia

The technical file is compiled by **Ahti Talts**;

I hereby confirm that this **complete trailer FARMA T12 4WD G2**:

Trade mark: **FARMA**

Function: **complete lumber trailer**

Model: **T12 4WD G2**

Type: **FT** variant: **T12 4WD** version: **G2**

VIN: **V60FT0012H02X0001 – V60FT0012x02Xxxxx**

Trade name: **FARMA T12 4WD G2**

Manufacture year: **xxxx**

is manufactured accordingly to demands in **directive 2006/42/EC** and therefore can be used mounted together with other equipment to provide a complete machine./

The equipment can't be used before the machine or the formation that it will take place in, is accordingly to the demands of the EC machinery directive.

For the guarantee and safety, it is of uttermost significance that the instruction book is read before the machine is put into service.

Saue, Estonia

2017-08-02



Ahti Talts

COO