

 **FARMA**®

**T10 G2**

**T12 G2**

EN\_S1.3-2018W43

Original instruction

**SPARE PARTS**

# SPARE PARTS

## T10 G2/T12 G2

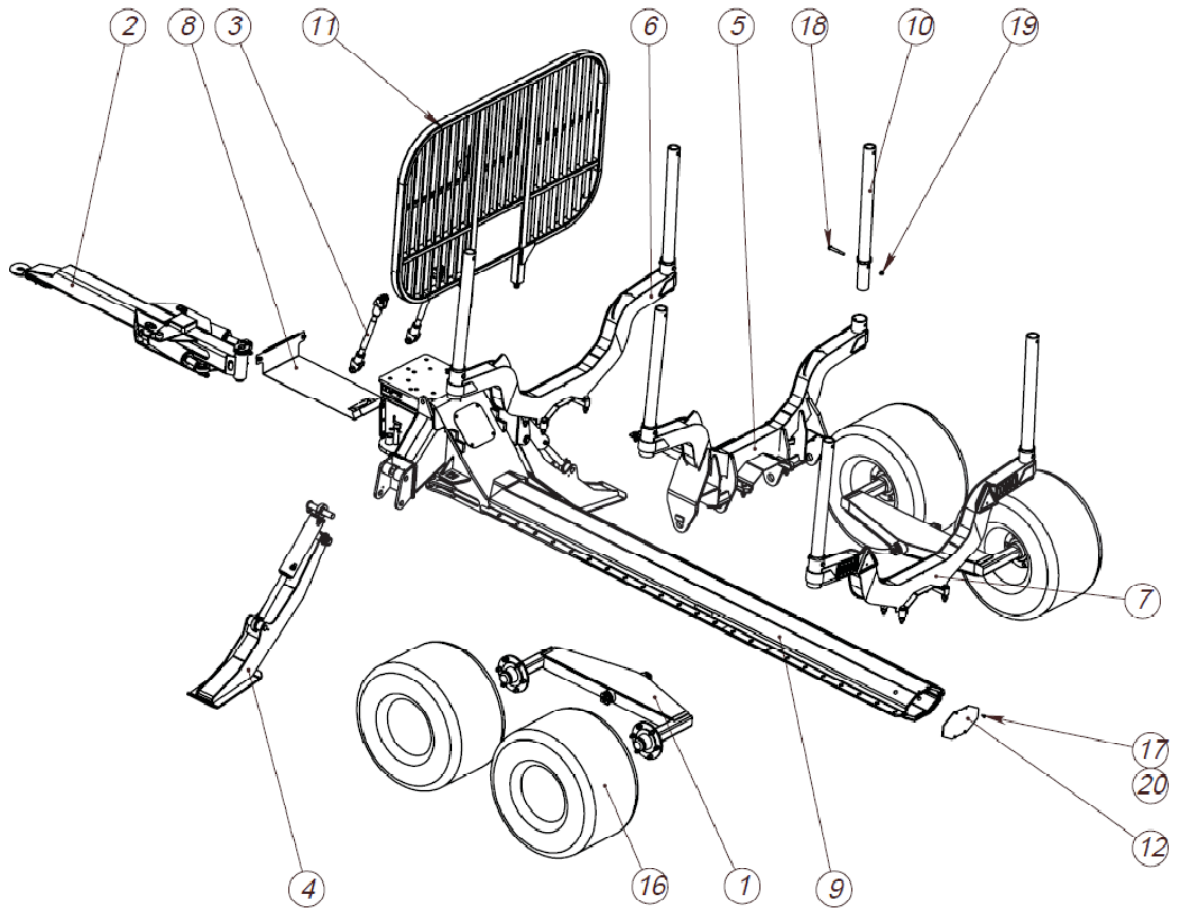
### TABLE OF CONTENTS

1	SPARE PARTS .....	2
1.1	MAIN PARTS, FARMA T10-T12 G2.....	2
1.1.1	BOGIE & STUBAXLE .....	6
1.1.2	DRAWBAR.....	8
1.1.3	TURNBUCKLE FOR RAILING .....	9
1.1.4	SRABILIZER LEG.....	10
1.1.5	REAR EXTENSION T12 G2 .....	11
1.1.6	MOVABLE WHEEL SUPPORT.....	13
1.1.7	CHASSIS .....	14
1.1.8	RAILINGS.....	16
1.2	HYDRAULIC SCHEMES.....	17
1.2.1	STEERABLE DRAWBAR.....	17
1.2.2	STABILIZERS .....	18
1.2.3	REAR EXTENTION T12 G2 .....	19
1.3	ELECTRIC SCHEMES.....	20
1.3.1	T10 G2 REAR LIGHTS .....	20
1.3.2	T12 G2 REAR LIGHTS .....	21
2	TECHNICAL SPECIFICATIONS .....	22
2.1	TECHNICAL DATA.....	22
2.2	MAIN DIMENSIONS .....	23
3	EC DECLARATION OF CONFORMITY (SAMPLE) .....	25

**1 SPARE PARTS**

1.1 MAIN PARTS, FARMA T10-T12 G2

**FARMA T10 G2**



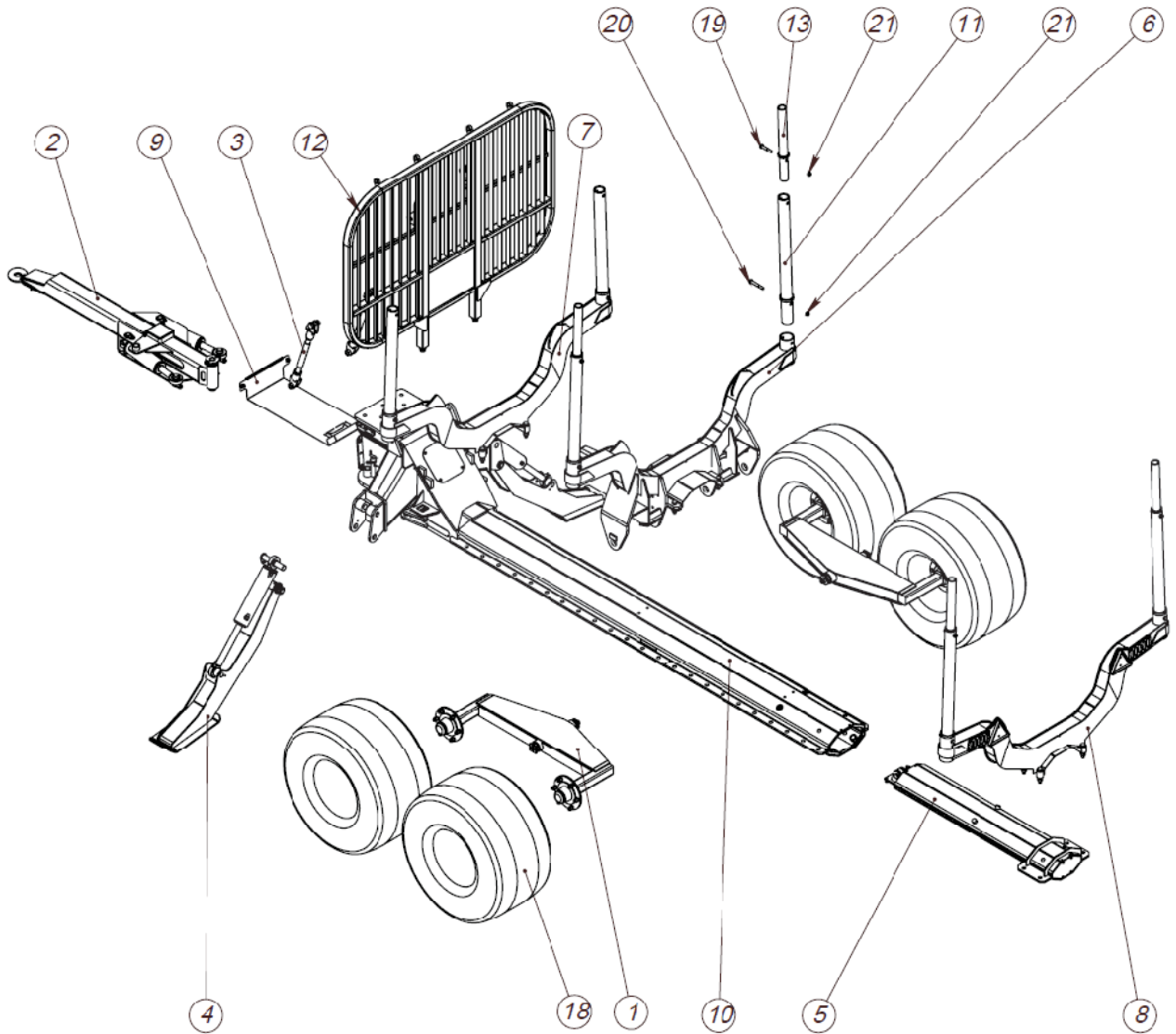
REF: 160215

**Main parts T10 G2 (FMWA00180)**

ITEM NO.	PART NUMBER	DESCRIPTION	TYPE	QTY.
1	FMWA00075	Bogie side	T10/T12 ASM	2
2	FMWA00190	Drawbar	T10 - T14 G2 STD	1
3	FMWA00221	Turnbuckle for railing	T10 - T16 G2	2
4	FMWA00228	Stabilizer leg	T10 - T14 G2	2
5	FMWA00286	Movable wheel support	T10 - T12 G2	1
6	FMWA00323	Banks with posts	T10 - T14 G2	1
7	FMWA00323-01	Bank with backlights	T10 - T14 G2	1
8	FMWA00326-01	Cover for Farma G2 crane base		1
9	FMWS00572-03	Chassis T10 G2 movable wheel supp.	-	1
10	FMWS00580	Straight post T10-T14 G2	-	2
11	FMWS00616	Railing	T10 G2	1
12	FMWP03120	Cover plate	PLT5 - 334x186	1
13	FMWE00007-03	El. scheme	Rear lights T10, T14, T16 G2	1
14	FMWH00018-02	Hyd. scheme drawbar	T10-T14 G2	1
15	FMWH00018-03	Hyd. scheme stabilizers	T10-T14 G2	1
16	916535/14PR	Wheel	500/50-17	4
17	906158	Bolt Hex. Cap	M8x20 fzb DIN 933	4
18	914521	Bolt Hex. Cap	M16x110 fzb DIN 931	2
19	907237	Nut Hex. Nylock	M16 fzb DIN 985	2
20	908615	Washer Spring	M8 fzb DIN 127	4

**REF: 160215**

**FARMA T12 G2**



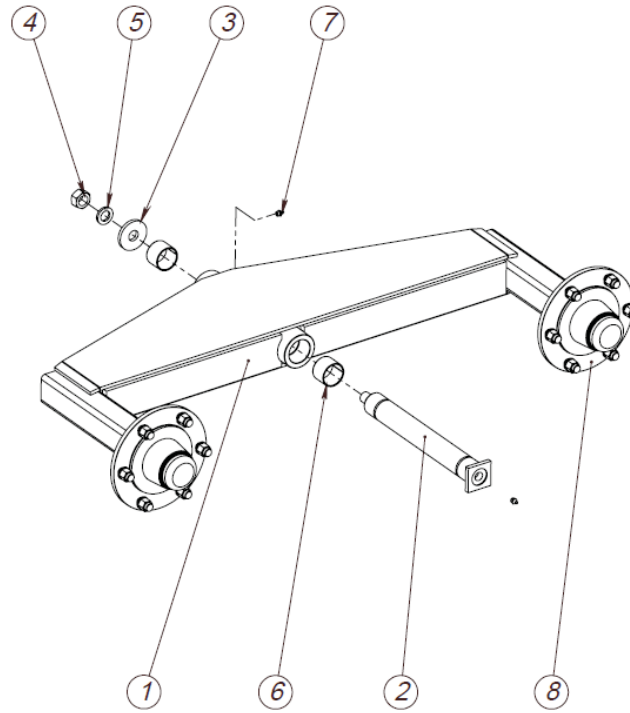
REF: 160215

**Main parts T12 G2 (FMWA00192)**

ITEM NO.	PART NUMBER	DESCRIPTION	TYPE	QTY.
1	FMWA00075	Bogie side ASM	T10/T12/BT-10	2
2	FMWA00190	Drawbar STD	T10 - T14 G2	1
3	FMWA00221	Turnbuckle for railing	T10 - T16 G2	2
4	FMWA00228	Stabilizer leg	T10 - T14 G2	2
5	FMWA00266	Rear extension ASM	T12 - T14 G2	1
6	FMWA00286	Movable wheel support Farma	T10 - T12 G2	1
7	FMWA00323	Banks with posts	T12 - T14 G2	1
8	FMWA00323-01	Bank with backlights	T12 - T14 G2	1
9	FMWA00326-01	Cover for Farma G2 crane base	-	1
10	FMWS00572-04	Chassis T12 G2 movable wheel supp.	-	1
11	FMWS00580	Straight post	T10-T14 G2	2
12	FMWS00616-01	Railing	T10-T14 G2	1
13	FMWS00626	Prolonged pin	T7-T16	4
14	FMWE00007-04	El. scheme Rear lights	T12 G2	1
15	FMWH00018-02	Hyd. scheme drawbar	T10-T14 G2	1
16	FMWH00018-03	Hyd. scheme stabilizers	T10-T14 G2	1
17	FMWH00018-06	Hyd. scheme rear extension	T10-T14 G2	1
18	916570L	Wheel	500/45-22,5	2
18	916570R	Wheel	500/45-22,5	2
19	906230	Bolt Hex. Cap	M16x90 DIN 931	4
20	914521	Bolt Hex. Cap	M16x110 fzb DIN 931	2
21	907237	Nut Hex. Nylock	M16 fzb DIN 985	6

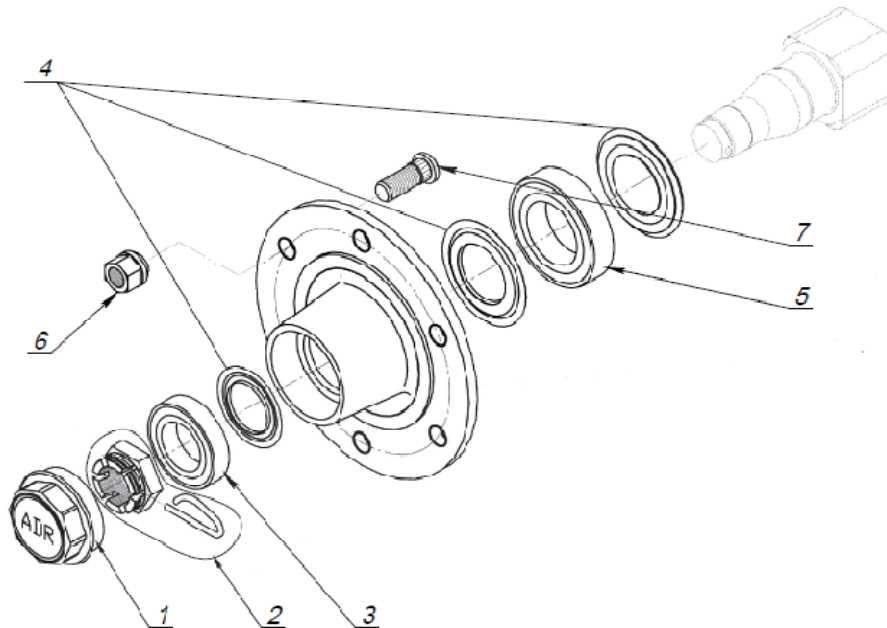
**REF: 160215**

## 1.1.1 BOGIE &amp; STUBAXLE

**BOGIE**

**REF: 141125**
**Bogie T10-T12 (FMWA00075)**

ITEM NO.	PART NUMBER	DESCRIPTION	TYPE	QTY.
1	FMWS00078	Bogie T10/T12 ASM		1
2	FMWS00021-030	Shaft	GrndØ50 - 438(393)	1
3	FMWP00080	Washer	PLT8 - D70	1
4	907255	Nut Hex.	M24 fzb DIN 934	1
5	908640	Washer Spring	M24 fzb DIN 127	1
6	909150	Slide Bearing	50-55-40 P DIN 1494	2
7	930105	Lubricating nipple	1/8" DIN 71412	2
8	916115	Stubaxle 70x400 6M18		2

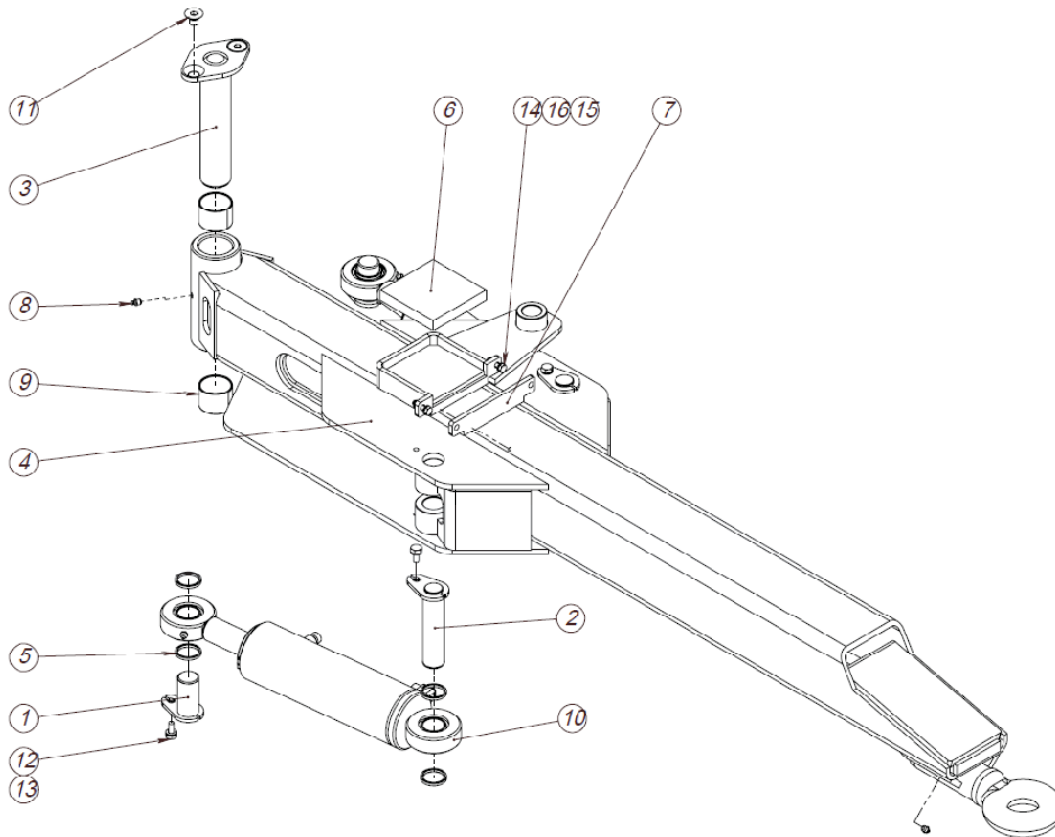
**REF: 141125**

**STUBAXLE**

**REF: 170314**
**Stubaxle T7-T12 (916115)**

ITEM NO.	PART NUMBER	DESCRIPTION	TYPE	QTY.
1	916/9RT90	Hub Cap ADR 90		1
2	916315	Hub nut and locking pin	M39	1
3	910260	Wheel bearing	32210 J2/Q	1
4	916345	Oil seal and NILOS-rings		1
5	910256	Wheel bearing	30213	1
6	916476	Wheel nut	M18x1,5	6
7	916472	Wheel bolt	M18x1,5x49	6

**REF: 170314**

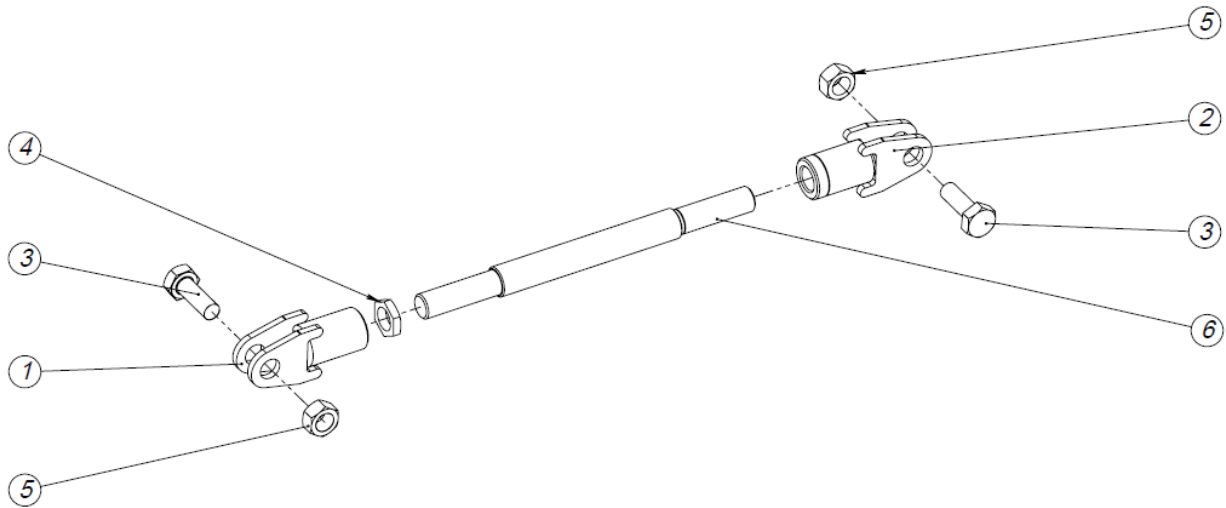


**1.1.2 DRAWBAR**

**REF: 150604**
**Drawbar T10-T14 G2 (FMWA00190)**

ITEM NO.	PART NUMBER	DESCRIPTION	TYPE	QTY.
1	FMWS00426	Shaft compl.	GrndØ35h9 - 77(68)	2
2	FMWS00428	Shaft compl.	GrndØ35h9 - 149(140)	2
3	FMWS00584	Shaft	Grnd50h8 - 242(234)	1
4	FMWA00190	Drawbar T10-T14 G2 STD		1
5	FMWP00083-02	Ring	STØ42,3x3,4 - 5	8
6	FMWP02223-01	Glide plastic	PLT20 - 122x122	1
7	FMWP04242	Plate	PLT8- 190x38	1
8	930105	Grease nipple	1/8" DIN 71412	2
9	909150	Slide Bearing	50-55-40 P DIN 1494	2
10	313137	Hydraulic cylinder	90/40 - 200	2
-	37313940	Sealing kit Hydr cyl	90/40	-

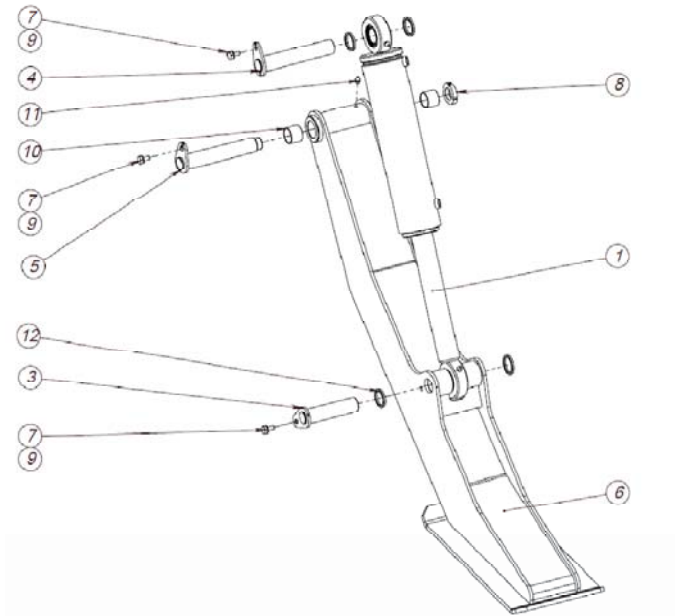
Original instruction

11	906221	Bolt Hex. Socket	M16x20 fzb DIN 7991	2
12	906170	Bolt Hex. Cap	M10x20 fzb DIN 933	4
13	908620	Washer Spring	M10 fzb DIN 127	4
14	906163	Bolt Hex. Cap	M8x30 fzb DIN 933	2
15	907213	Nut Hex. Nylock	M8 fzb DIN 985	2
16	908615	Washer Spring	M8 fzb DIN 127	2

**REF: 150604**
**1.1.3 TURNBUCKLE FOR RAILING**

**REF: 141125**
**Turnbuckle for railing (FMWA00221)**

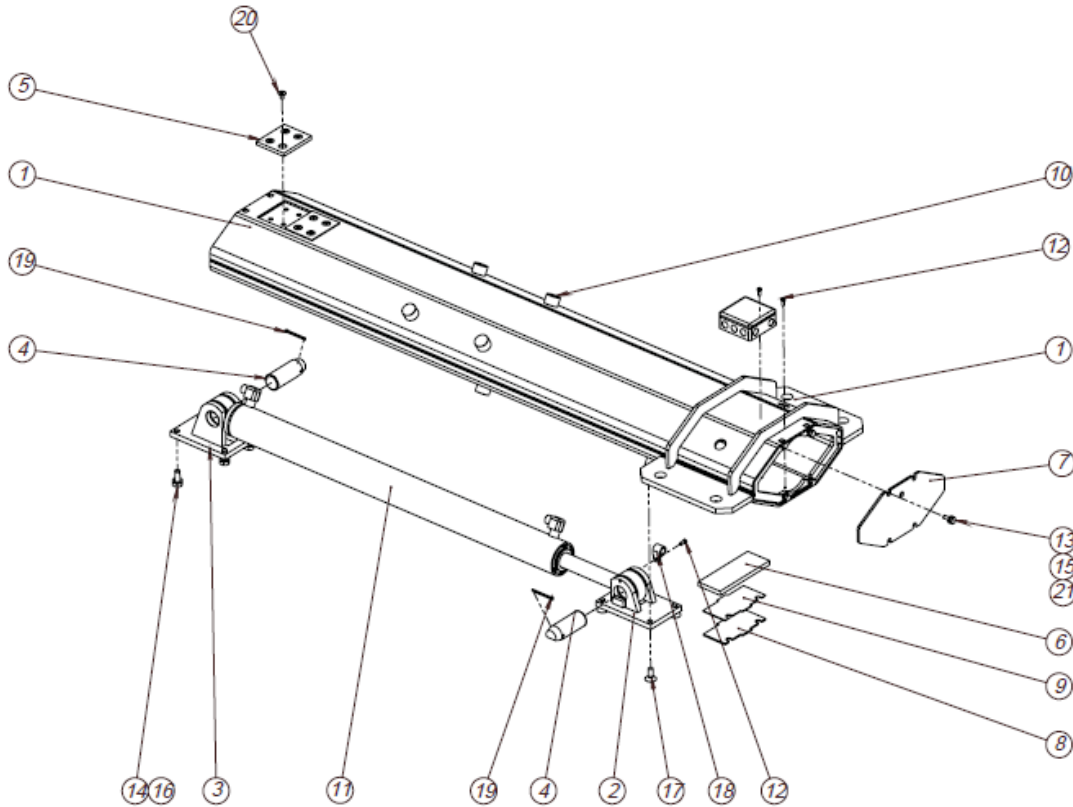
ITEM NO.	PART NUMBER	DESCRIPTION	TYPE	QTY.
1	FMWS00073	Turnbuckle nut Right hand		1
2	FMWS00073-01	Turnbuckle nut Left hand		1
3	906255	Bolt Hex. Cap	M24x60 fzb DIN 933	2
4	907100	Contra nut	DIN 936 zinc plated	1
5	907255	Nut Hex.	M24 fzb DIN 934	2
6	FMWP02326	Pin	Grnd35 - 440/M30 L+R	1

**REF: 141125**

**1.1.4 SRABILIZER LEG**

**REF: 170510**
**Stabilizer leg T10-T14 G2 ASM**

ITEM NO.	PART NUMBER	DESCRIPTION	TYPE	QTY	QTY.
1	313135	Hydraulic cylinder left	90/50 - 300	1	-
1	313134	Hydraulic cylinder right	90/50 - 300	-	1
	3731309050	Sealing kit Hydr cyl	90/50		
3	FMWS00427	Shaft compl.	GrndØ35h9 - 145 (136)	1	1
4	FMWS00427-02	Shaft compl.	GrndØ35h9 - 201(192)	1	1
5	FMWS00429	Shaft compl.	GrndØ35h9 - 217(192)	1	1
6	FMWA00228	Stabilizer leg T10-T14 G2	Slide bear. and grease nipples inc.	1	1
7	906170	Bolt Hex. Cap	M10x20 fzb DIN 933	3	3
8	907550	Nut Lock/Round	M30x1,5 N DIN 1804	1	1
9	908620	Washer Spring	M10 fzb DIN 127	3	3
10	909145	Slide Bearing	35-39-30 P DIN 1494	2	2
11	930105	Grease nipple	1/8 " BSP DIN 71412	1	1

**REF: 170510**

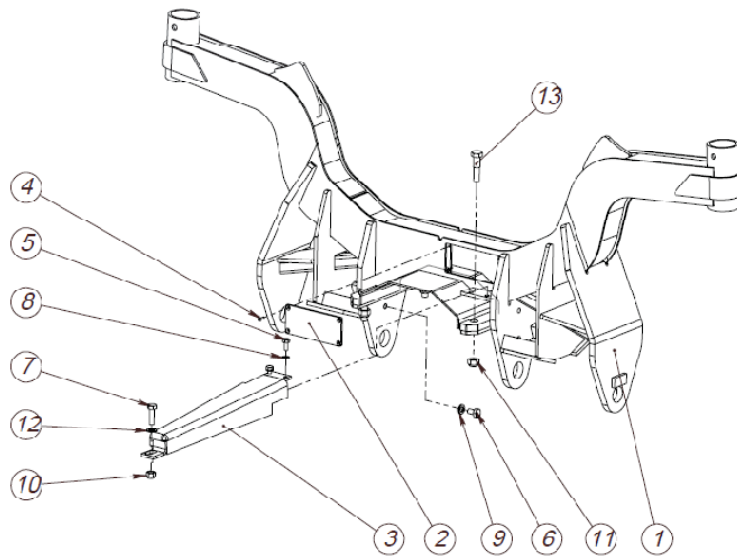
**1.1.5 REAR EXTENSION T12 G2**

**REF: 170829**
**Rear extension T12 G2 (FMWA00266)**

ITEM NO.	PART NUMBER	DESCRIPTION	TYPE	QTY.
1	FMWS00702	Extension beam G2	-	1
2	FMWS00727	Extention lug	-	1
3	FMWS00727-01	Extention lug	-	1
4	FMWP00001-020	Pin	GrndØ35h9 - 95	2
5	FMWP00612-01	Glide Piece	PLT8-90x75	2
6	FMWP02116	Slidepad	PLT10 - 160x60	1
7	FMWP03960	Cover plate	PLT5 - 276x132	1
8	FMWP05352	Plate	PLT3 - 131 x 70	1
9	FMWP05352-01	Plate	PLT2 - 131 x 70	1
10	15B-000000.007	Bush	Rnd30 - 20	8
11	313117	Hydraulic cylinder	50/32-800	1
-	37913230	Sealing kit Hydr cyl	50/32	-
12	906128	Bolt Slotted	M5x12 DIN 84	3
13	906158	Bolt Hex. Cap	M8x20 fzb DIN 933	4
14	906192	Bolt Hex. Cap	M12x25 fzb DIN 933	4

Original instruction

15	908615	Washer Spring	M8 fzb DIN 127	4
16	908625	Washer Spring	M12 fzb DIN127	4
17	906189	Bolt Hex. Socket	M12x25 fzb DIN 7991	4
18	920298	Rubber clamp	5562-00-08, 13 mm	1
19	908109	Split pin	4x45 DIN 94	2
20	906169	Bolt Hex. Socket	M8x12 fzb DIN 7991	8
21	908221	Washer flat	M8 fzb DIN125	4

**REF: 170829**

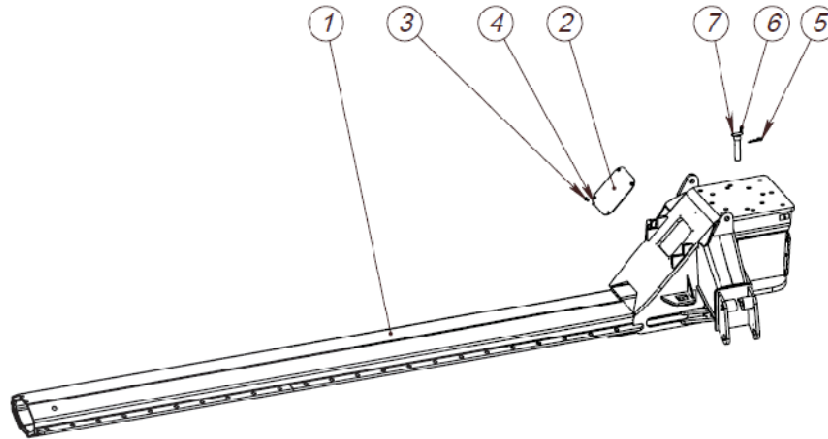
**1.1.6 MOVABLE WHEEL SUPPORT**

**REF: 141125**
**Movable wheel support T10-T12 G2 (FMWA00286)**

ITEM NO.	PART NUMBER	DESCRIPTION	TYPE	QTY.
1	FMWS00736	Wheel support Farma T10-T12 G2		1
2	FMWP03563-01	Plate	PLT6 - 208x90	1
3	FMWP04120	Brake hose cover	PLT8 - 750x171	1
4	906512	Bolt Hex. Socket	M6x20 fzb DIN 7991	4
5	906192	Bolt Hex. Cap	M12x25 fzb DIN 933	2
6	906222	Bolt Hex. Cap	M16x25 fzb DIN 933	2
7	906228	Bolt Hex. Cap	M16x50 fzb DIN 933	1
8	908625	Washer Spring	M12 fzb DIN127	2
9	908630	Washer Spring	M16 fzb DIN 127	2
10	907237	Nut Hex. Nylock	M16 fzb DIN 985	1
11	907246	Nut Hex. Nylock	M20 fzb DIN 985	4
12	908267	Washer flat	M16 fzb DIN 125	1
13	906243	Bolt Hex. Cap	M20x80 DIN 931	4

**REF: 141125**

Tightening torque - 390Nm

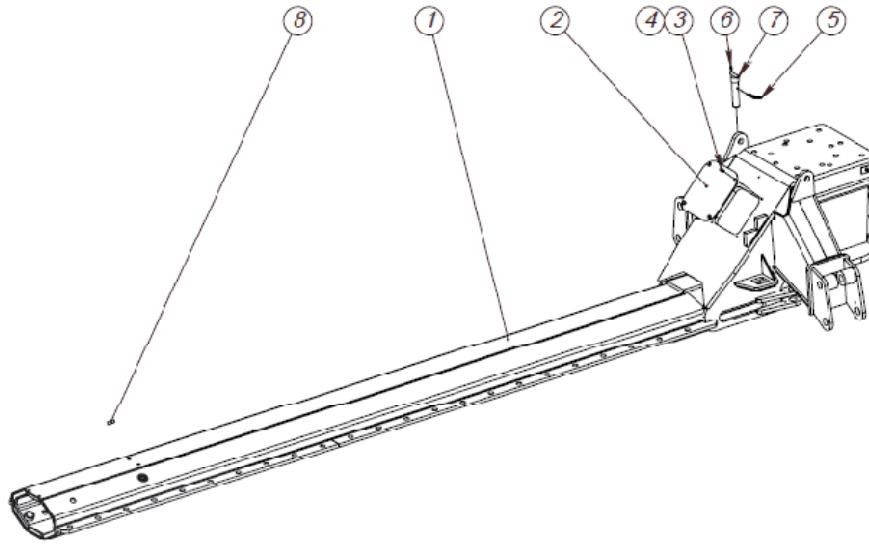
## 1.1.7 CHASSIS

**CHASSIS T10 G2**

**REF: 141125**
**Chassis T10-T12 G2**

ITEM NO.	PART NUMBER	DESCRIPTION	TYPE	T12 G2 QTY.	T10 G2 QTY.
1	FMWS00572-04	Chassis T12 G2 movable wheel supp.	-	1	-
1	FMWS00572-03	Chassis T10 G2 movable wheel supp.		-	1
2	FMWP03240	Plate	PLT3 - 260x260	1	1
3	906154	Bolt Hex. Cap	M8x16 fzb DIN 933	4	4
4	908615	Washer Spring	M8 fzb DIN 127	4	4
5	920231	Pin Spring Cotter	Single Ø4-72 DIN 11024	1	1
6	920225	Chain	3x30 - 500	1	1
7	104067.12.00-01	Sprint		1	1
8	906960	Pipe plug G1"	DIN 906	8	-

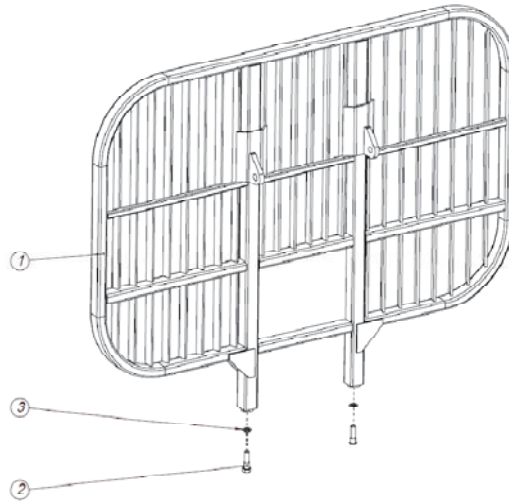
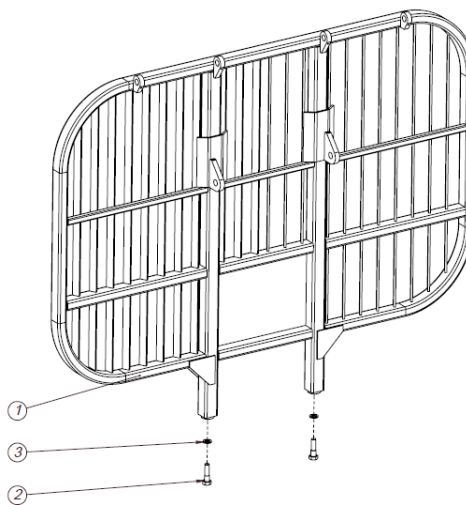
**REF: 141125**

**CHASSIS T 12 G2**



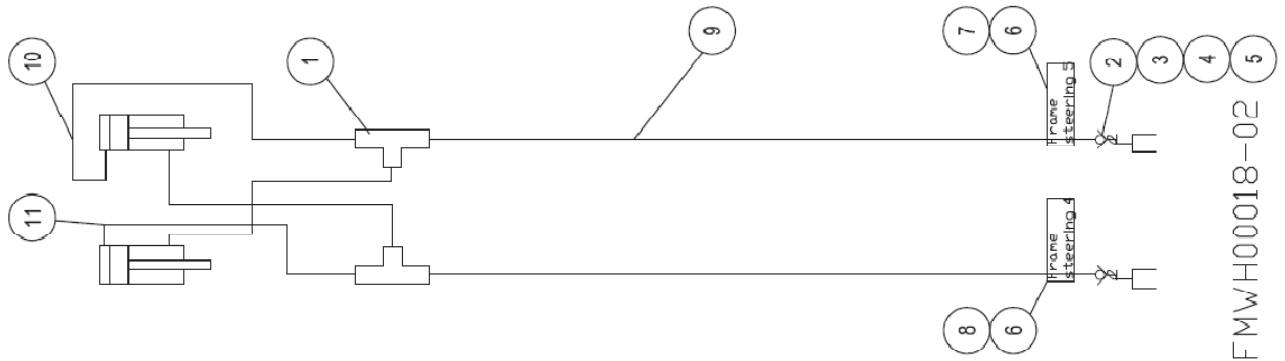
**REF: 141125**



**1.1.8 RAILINGS**
**RAILING T10 G2**

**REF: 141125**
**RAILING T12 G2**

**REF: 141125**
**Railing T10-T12 G2**

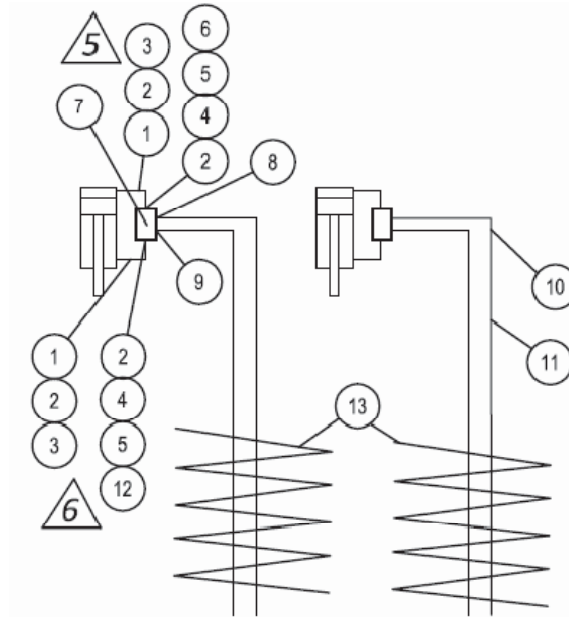
ITEM NO.	PART NUMBER	DESCRIPTION	TYPE	T10 G2 QTY.	T12 G2 QTY.
1	FMWS00616	Railing T10-T14 G2		1	-
1	FMWS00616-01	Railing T10-T14 G2		-	1
2	906242	Bolt Hex. Cap	M20x70 fzb DIN 931	2	2
3	908635	Washer Spring	M20 fzb DIN 127	2	2

**REF: 141125**

**1.2 HYDRAULIC SCHEMES**
**Brakes disc2**
**1.2.1 STEERABLE DRAWBAR**

**REF: 170830**
**Steerable drawbar (FMWH00018-02)**

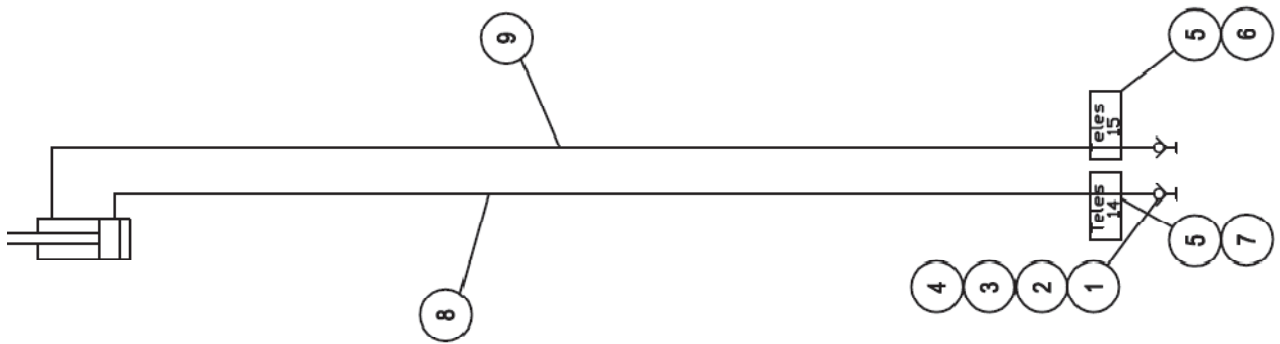
ITEM NO.	PART NO.	DESCRIPTION	TYPE	QTY.
1	914770	T-nipple	7401-06-06; 3/8"UFxUFxUFT	2
2	914714	Straight nipple	7002-04-08; G1/4"UFxG1/2"UF	2
3	914584	Rubber seal	5601-01-08; R1/2"	2
4	914570	Bayonet coupling	5550-02-08; M 1/2"	2
5	914573	Dust cover	5551-05-08; F 1/2"	2
6	922230	Heat shrink tube	SR 19,1-10,2 L=80 mm	2
7	925036	Sticker	Label No4 Frame Steering Red	1
8	925038	Sticker	Label No5 Frame Steering Blue	1
9	FMWH00346	H-hose	42010404-1/4(1900)-42010604	2
10	FMWH00347	H-hose	42010604-1/4(470)-42030604	2
11	FMWH00348	H-hose	42010604-1/4(470)-42050604	2

**REF: 170830**

**1.2.2 STABILIZERS**

**REF: 170830**
**Stabilizers T10/T12 G2 (FMWH00018-03)**

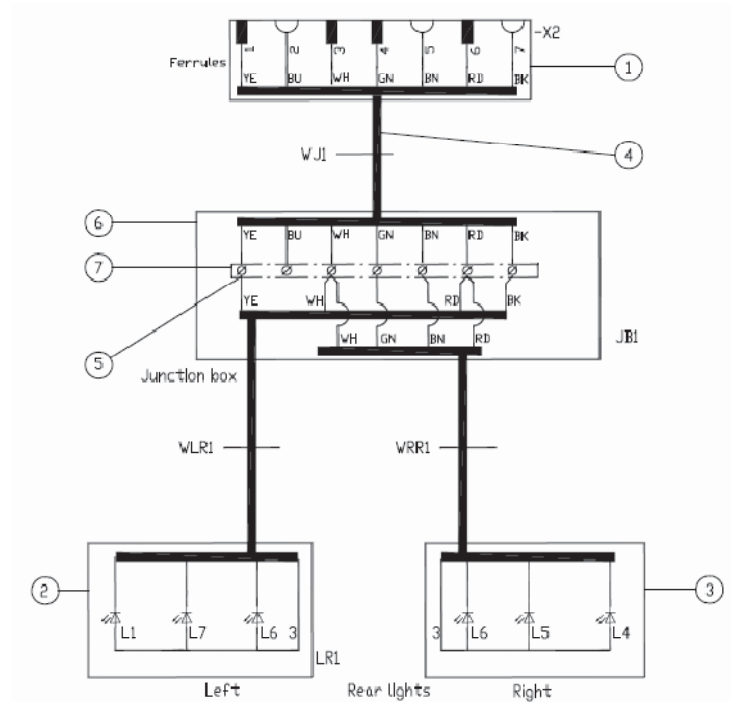
ITEM NO.	PART NO.	DESCRIPTION	TYPE	QTY.
1	914284	Banjo pipe	09R1210 L=106	4
2	914582	Rubber seal	5601-01-06; R3/8"	16
3	914441	Banjo bolt	4280-01-06; 3/8"	4
4	914301	Straight fit	GE12L-3/8 6003-12-07	2
5	914306	Cutting ring	B12 L/S 6149-01-12; d12	4
6	914304	Nut M12L	6150-00-12; d12	4
7	915147-1	Hyd lock	VBD-38-SF	2
8	914750	Cartridge nipple	7090-06-06 G3/8"UFxG3/8"UR	2
9	914716	Straight nipple	7002-06-06 G3/8"UFxG3/8"UF	2
10	FMWH00349	H-hose	4201-0606-3/8"(1150)-42030606	2
11	FMWH00350	H-hose	4201-0606-3/8"(1870)-42030606	2
12	FMWP05791	Nipple machining	6003-12-07; GE12L-3/8"	2
13	930320	SPIRO pipe	D32x3 mm Yellow	2,5 m

**REF: 170830**

**1.2.3 REAR EXTENTION T12 G2**

**REF: 141125**
**Rear extention T12 G2 (FMWH00018-06)**

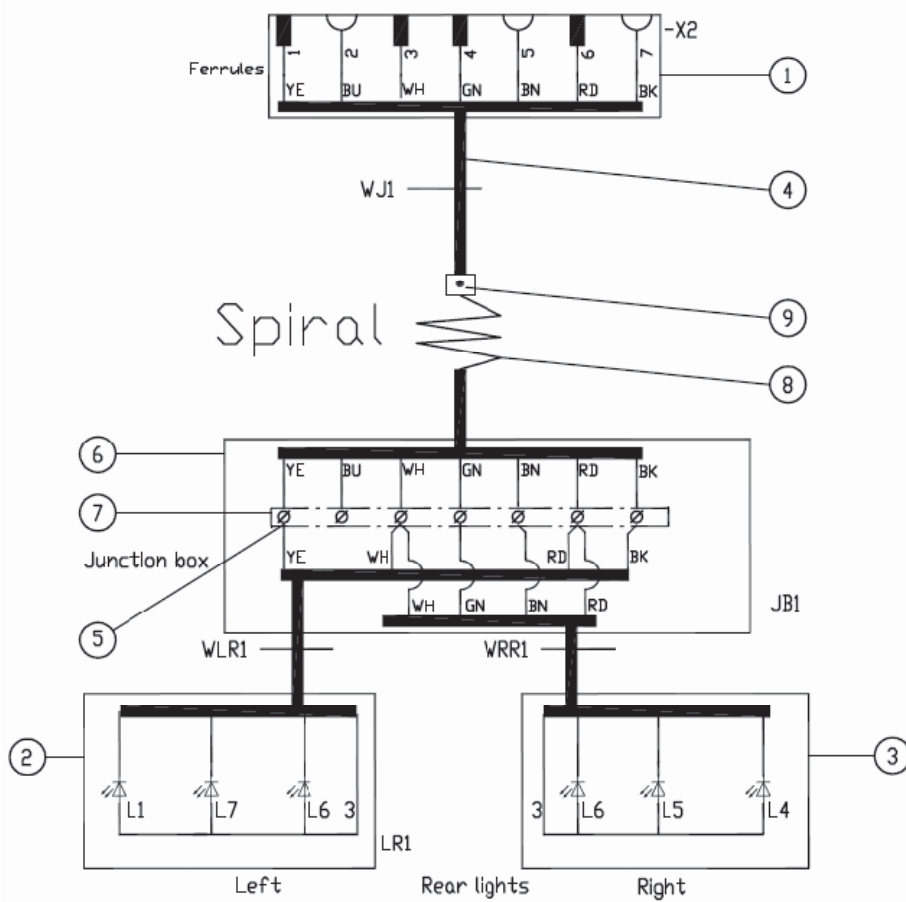
ITEM NO.	PART NO.	DESCRIPTION	TYPE	QTY.
1	914714	Straight nipple	7002-04-08; G1/4"MxG1/2"M	2
2	914584	Rubber seal	5601-01-08; G1/2"	2
3	914570	Bayonet coupling	5550-02-08 M 1/2"	2
4	914579	Dust cover	5550-04-08 Black 1/2"	2
5	925056	Label	No14 Telescope Red	1
6	925058	Label	No15 Telescope Blue	1
7	922230	Heat-shrink tubing	SR 19,1-10,2	0,09m
8	FMWH00493	H-hose	42010604-1/4(5650)-42010404	1
9	FMWH00494	H-hose	42010604-1/4(6530)-42010404	1

**REF: 141125**

**1.3 ELECTRIC SCHEMES**
**1.3.1 T10 G2 REAR LIGHTS**

**REF: 170830**
**T10 G2 Rear lights (FMWE00007-03)**

ITEM NO.	PART NO.	DESCRIPTION	TYPE	QTY.
1	920695	Connector	7 poles male	1
2	920762-1L	Rear light LED, left	GS-LTL2060	1
3	920762-1R	Rear light LED, right	GS-LTL2060	1
4	920666	Cable	PVC cable 6x1,5+2,5 mm <sup>2</sup>	6 m
5	922160	Ferrule	2,5 mm <sup>2</sup> with insulation	13
6	922706	Connection box	U-56 IP 65, without terminal	1
7	922176	Terminal strip 10mm <sup>2</sup>	76 CE WS	1

**REF: 170830**

**1.3.2 T12 G2 REAR LIGHTS**

**REF: 170830**
**T12 G2 Rear lights (FMWE00007-04)**

ITEM NO.	PART NO.	DESCRIPTION	TYPE	QTY.
1	920695	Connector	7 poles male	1
2	920762-1L	Rear light LED, left	GS-LTL2060	1
3	920762-1R	Rear light LED, right	GS-LTL2060	1
4	920666	Cable	PVC cable 6x1,5+2,5 mm <sup>2</sup>	6 m
5	922160	Ferrule	2,5 mm <sup>2</sup> with insulation	13
6	922706	Connection box	U-56 IP 65, without terminal	1
7	922176	Terminal strip 10mm <sup>2</sup>	76 CE WS	1
8	920668	Spiral cable	PUR 7G1,5 mm <sup>2</sup>	0,35 m
9	922224	Heat shrink tube	SB 19,1-5,6	0,1 m

**REF: 170830**

## 2 TECHNICAL SPECIFICATIONS

### 2.1 TECHNICAL DATA

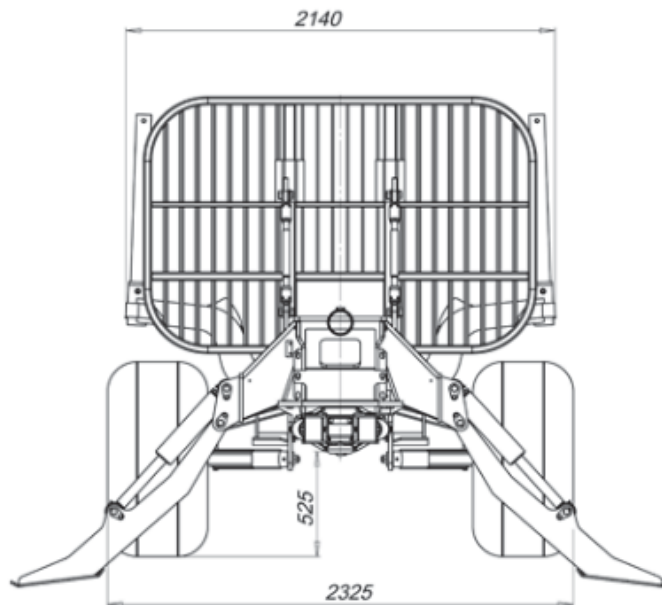
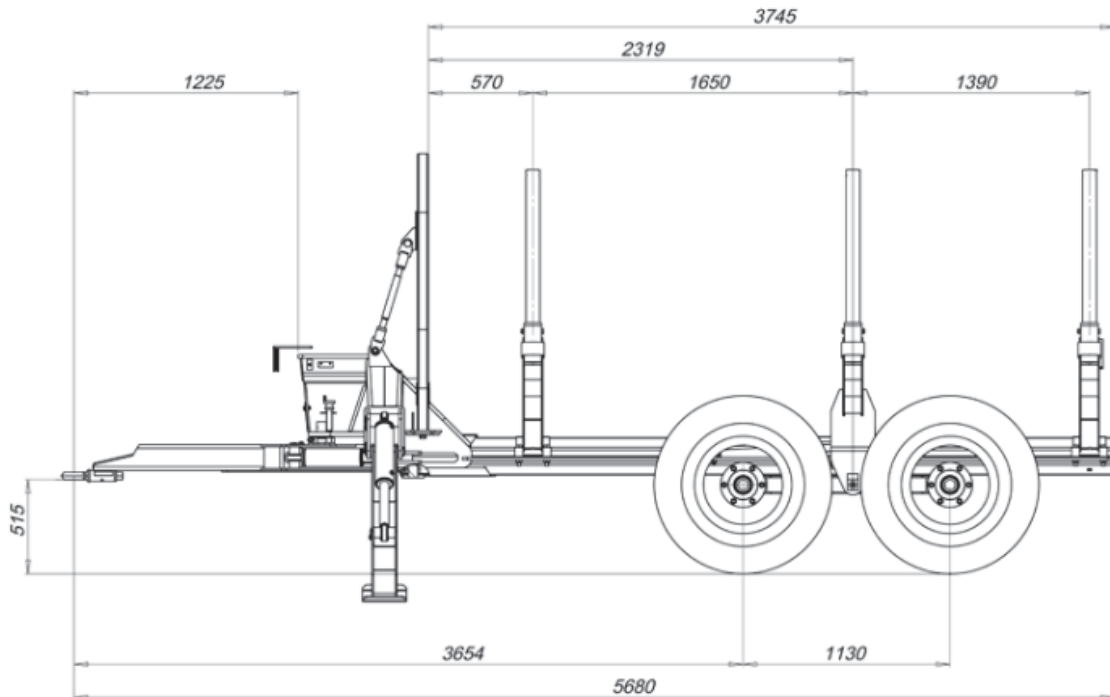
LUMBER TRAILER	T10 G2	T12 G2
Max. axle load	10 000 kg	12 000 kg
Loading area	2,3 m <sup>2</sup>	2,3 m <sup>2</sup>
Ground clearance	525 mm	555 mm
Wheels/tires	500/50-17	500/45-22,5
Weight of basic trailer	1935 kg	2025 kg
Steering angle with frame steering	52 degrees	52 degrees

**REF: Farma Collection 201701**

## 2.2 MAIN DIMENSIONS

\*These figures are for illustrative purposes only

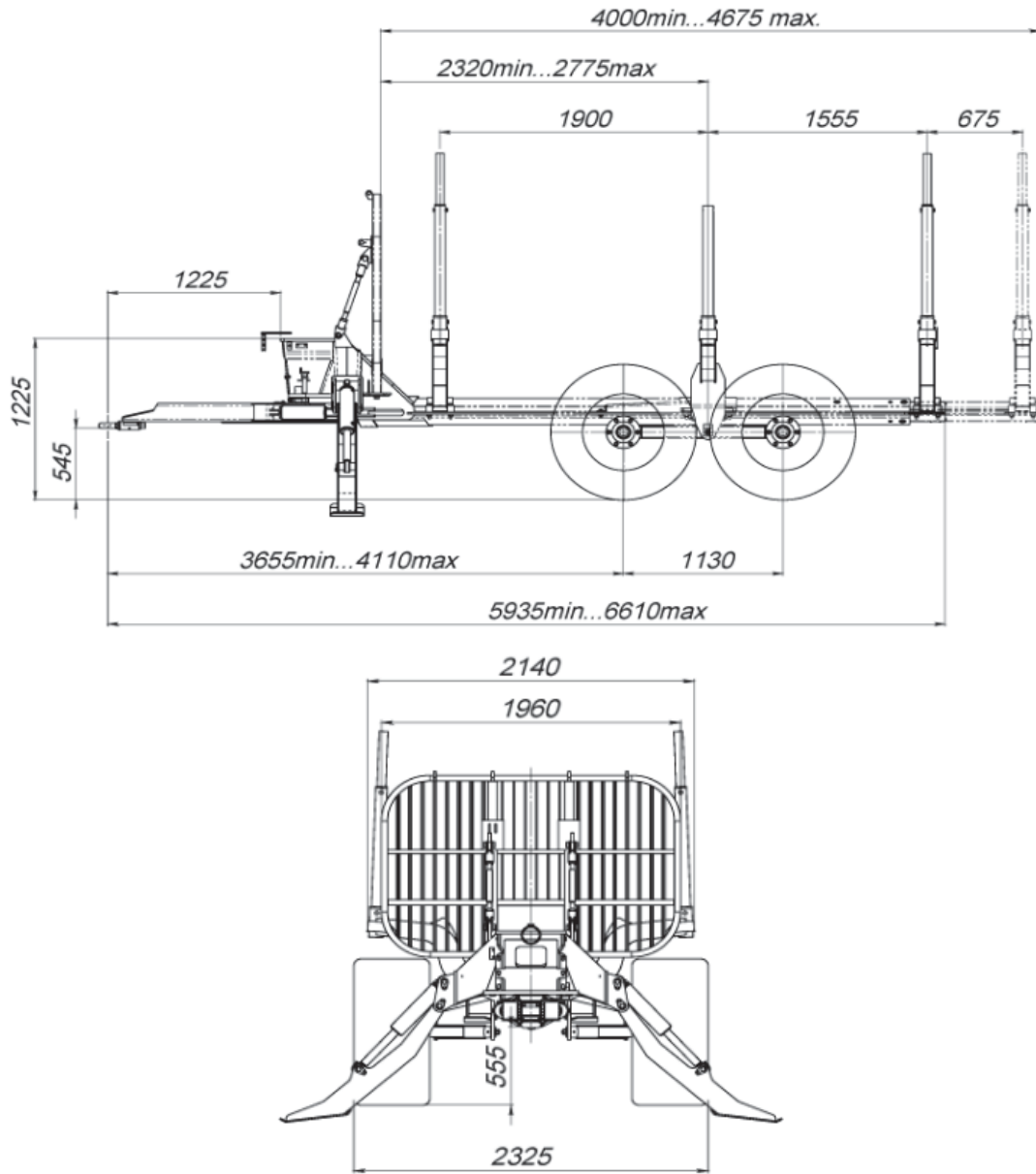
### FARMA T10 G2



REF: 160215



**FARMA T12 G2**



REF: 160215

**3 EC DECLARATION OF CONFORMITY (SAMPLE)*****EC Declaration of Conformity of the Machinery***

Manufacturer:

**Fors MW AS**

Tule 30

76505 Saue

Estonia

The technical file is compiled by **Ahti Talts**;I hereby confirm that this **complete trailer FARMA T10/T12 G2**:Trade mark: **FARMA**Function: **complete lumber trailer with crane**Model: **T10 G2/T12 G2**Type: **FT** variant: **T10/T12** version: **G2**VIN: **V60FT0010x02XXXX/V60FT0012x02XXXX**Trade name: **FARMA T10 G2/ FARMA T12 G2**Manufacture year: **xxxx**

is manufactured accordingly to demands in **directive 2006/42/EC** and therefore can be used mounted together with other equipment to provide a complete machine.

The equipment can't be used before the machine or the formation that it will take place in, is accordingly to the demands of the EC Machinery directive.

For the guarantee and safety, it is of uttermost significance that the instruction book is read before the machine is put into service.

Saue, Estonia

2018-10-24



Ahti Talts

CEO