



FARMA®

FARMA CRANE

C4,6/C5,1

EN_S2.0-2019W18

Original instruction

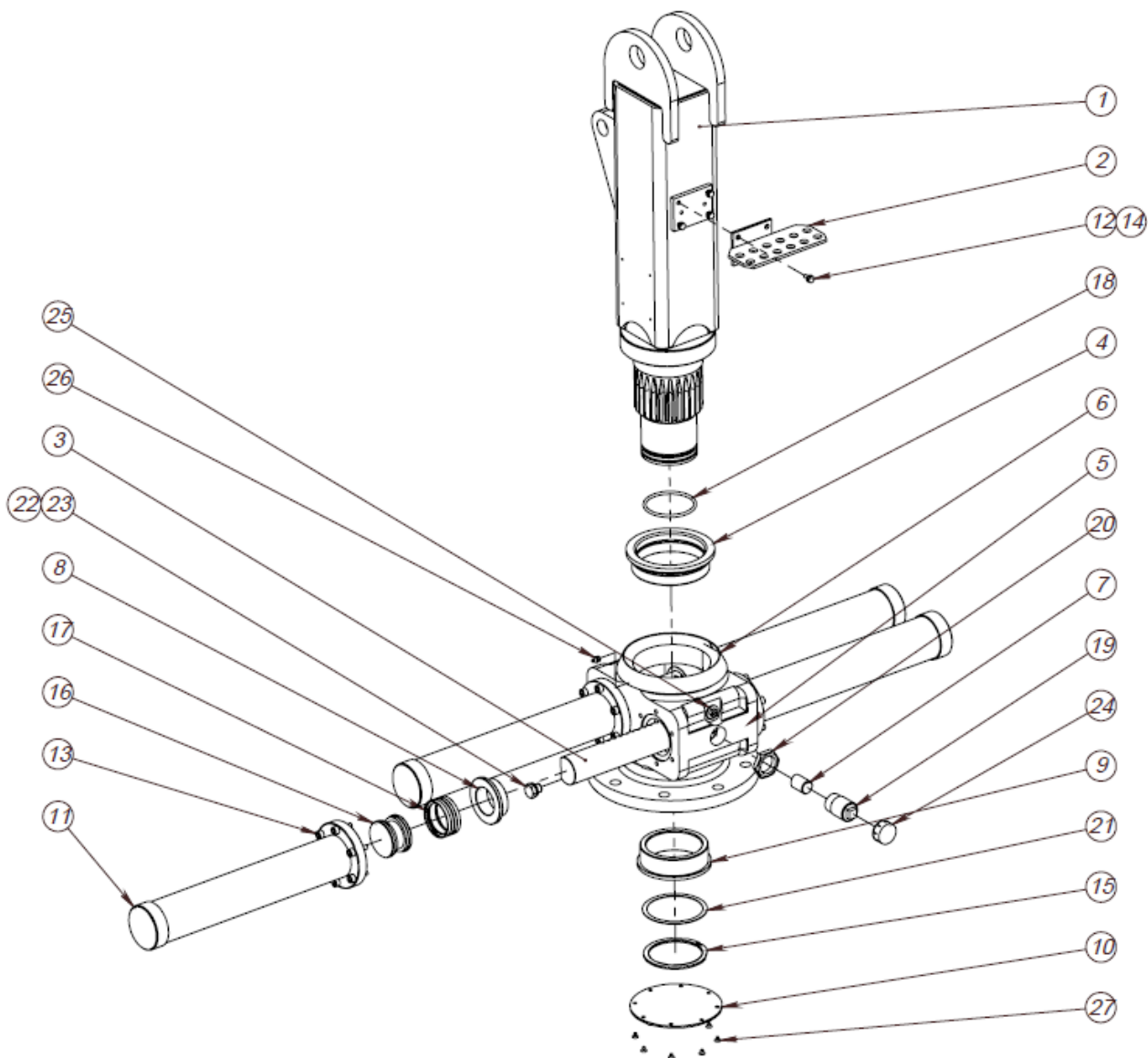
SPARE PARTS

SPARE PARTS

C4,6/C5,1

TABLE OF CONTENTS

1	SPARE PARTS	2
1.1	TURNHOUSE 8 kNm	2
1.2	TURNHOUSE 8 kNm, SINGLE	4
1.3	MAINBOOM	6
1.4	OUTERBOOM	7
2	HYDRAULIC SCHEMES	8
2.1	HYDRAULIC SCHEME C4,6/C5,1 G1	8
2.2	HYDRAULIC SCHEME WITH CONTROL LEVER VALVE C4,6/ C5,1 G1.....	9
3	TECHNICAL SPECIFICATIONS	12
3.1	MAIN PARTS & DIMENSIONS.....	12
3.2	TECHNICAL DATA.....	13
3.3	LIFTING DIAGRAMS	13

Original instruction
1 SPARE PARTS
1.1 TURNHOUSE 8 kNm

REF: 190426
Turnhouse C4,6/C5,1 8kNm

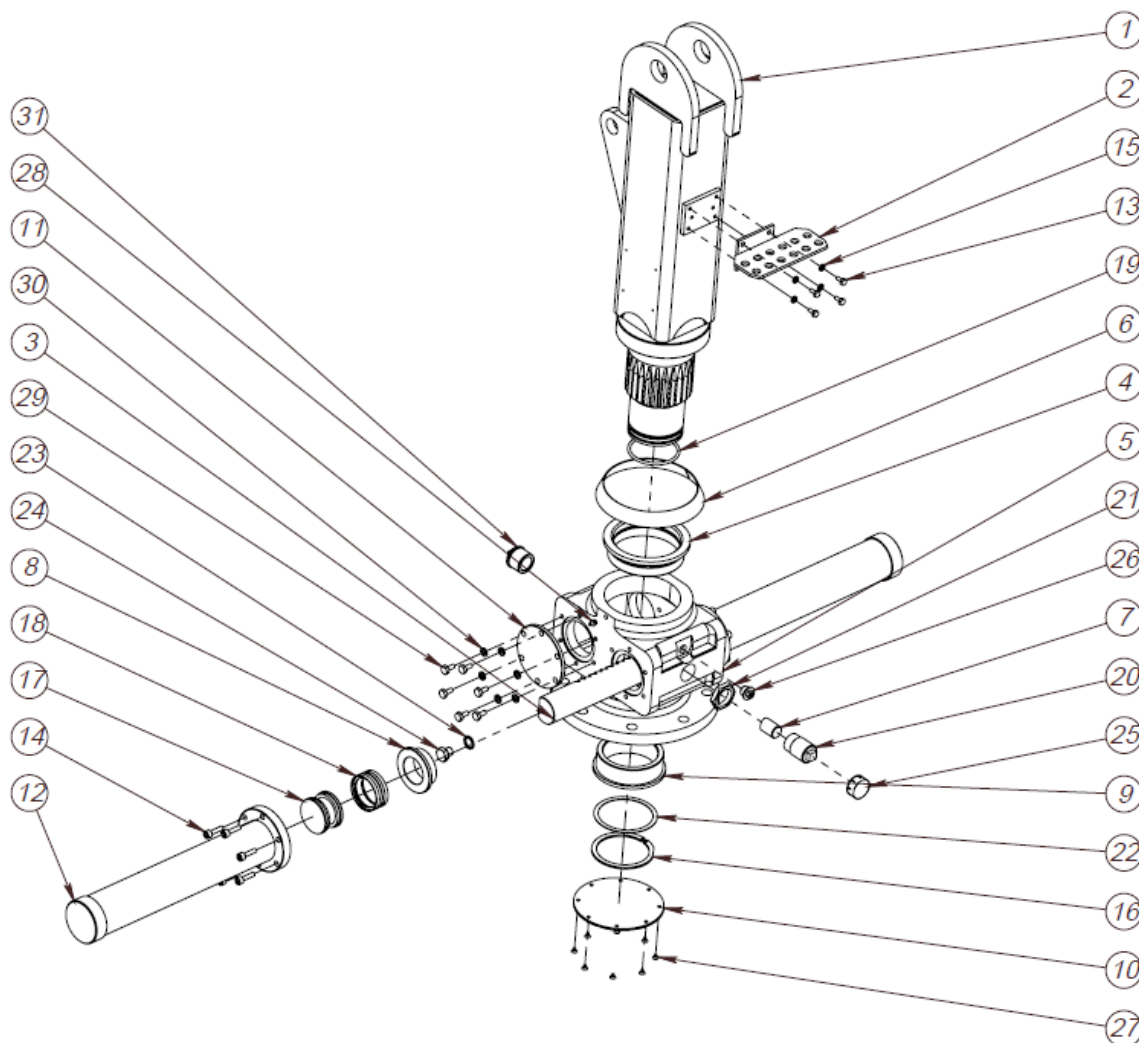
ITEM NO.	PART NUMBER	DESCRIPTION	TYPE	QTY.
1	37024731	Column C4,6/C5,1/C6,0		1
2	FMWS00207	Adapter holder	C4,6-C6,3	1
3	FMWP00589	Rack 8	GrndØ60h9 - 675	2
4	FMWP00590	Glide bearing (8T)		1
5	FMWP00592	Body (Turnhouse 8 kNm)		1
6	FMWP00619	Water Protection		1
7	FMWP00621	Support 8	RndØ28 - 40	2

Original instruction

8	FMWP00704	Glide bearing (8S)		4
9	FMWP00705	Glide bearing (8B)		1
10	FMWP04761	Bottom cover	PLT4 - 189x189	1
11	312225	Hydraulic cylinder	90/80-500	4
12	906154	Bolt Hex. Cap	M8x16 fzb DIN 933	4
13	906528	Bolt Hex. Socket	M10x35 DIN 912	24
14	908615	Washer Spring	M8 fzb DIN 127	4
15	911280	Lock ring	d115x4 DIN 471	1
16	FMWP00591	Piston 80		4
17	912235	Simko sealing	80x60x22,4	4
18	912240	O-ring	104,2x5,7	1
19	912250	Pusher/Bolt 8	RND50 - 70	2
20	912255	Contra nut G1 1/4"		2
21	912265	Shim ring	133x115x1,5	1
22	914584	Rubber seal	08/01/5601	1
23	914792	Plug 1/2"	7501-00-08	1
24	920396	Threaded plastic plug 1 1/4"		1
25	920398	Plug 1/2" + sealing	Plastic	1
26	930105	Lubricating nipple	1/8" DIN 71412	1
27	906545	Bolt Hex. Socket	M6x12 DIN 7991	8

REF: 190426

Original instruction

1.2 TURNHOUSE 8 kNm, SINGLE

REF: 190426
Turnhouse C4,6/C5,1 8kNm, SINGLE

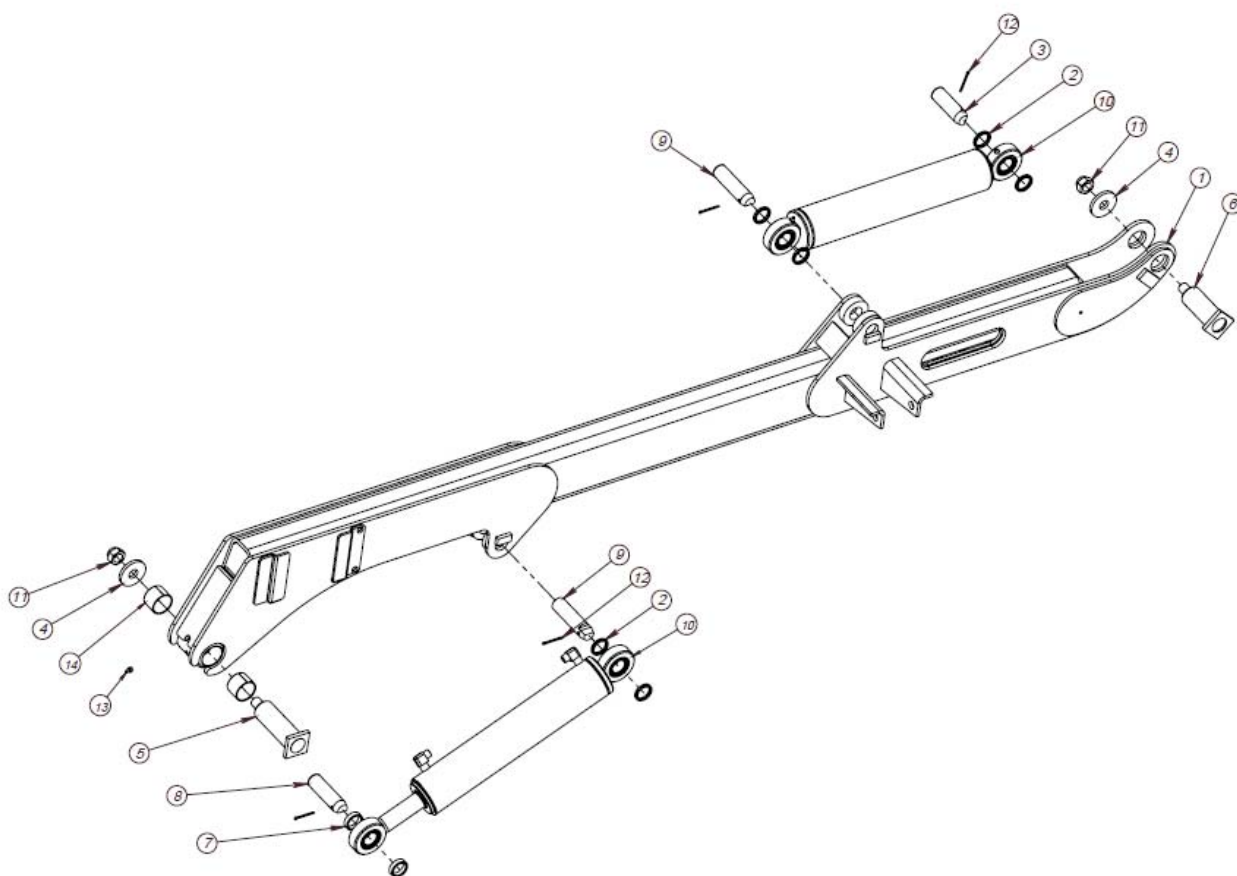
ITEM NO.	PART NUMBER	DESCRIPTION	TYPE	QTY.
1	37024731	Column C4,6/C5,1/C6,0		1
2	FMWS00207	Adapter holder	C4,6-C6,3	1
3	FMWP00589	Rack 8	GrndØ60h9 - 675	1
4	FMWP00590	Glide bearing (8T)		1
5	FMWP00592	Body (Turnhouse 8 kNm)		1
6	FMWP00619	Water Protection		1
7	FMWP00621	Support 8	RndØ28 - 40	2
8	FMWP00704	Glide bearing (8S)		2
9	FMWP00705	Glide bearing (8B)		1
10	FMWP04761	Bottom cover	PLT4 - 189x189	1
11	W13-130000.08	Flange	PLT10 - D140	2

Original instruction

12	312225	Hydraulic cylinder	90/80-500	2
13	906154	Bolt Hex. Cap	M8x16 fzb DIN 933	4
14	906528	Bolt Hex. Socket	M10x35 DIN 912	12
15	908615	Washer Spring	M8 fzb DIN 127	4
16	911280	Lock ring	d115x4 DIN 471	1
17	FMWP00591	Piston 80		1
18	912235	Simco sealing	80x60x22,4	2
19	912240	O-ring	104,2x5,7	1
20	912250	Pusher/Bolt 8	RND50 - 70	1
21	912255	Contra nut G1 1/4"		1
22	912265	Shim ring	133x115x1,5	1
23	914584	Rubber seal	08/01/5601	1
24	914792	Plug 1/2"	7501-00-08	1
25	920396	Threaded plastic plug 1 1/4"		1
26	920398	Plug 1/2" + sealing	Plastic	1
27	906545	Bolt Hex. Socket	M6x16 DIN 7991	8
28	930105	Lubricating nipple	1/8" DIN 71412	1
29	906170	Bolt Hex. Cap	M10x20 fzb DIN 933	12
30	908620	Washer Spring	M10 fzb DIN 127	12
31	912260	Plug	1 1/4" DIN 2950	1

REF: 190426

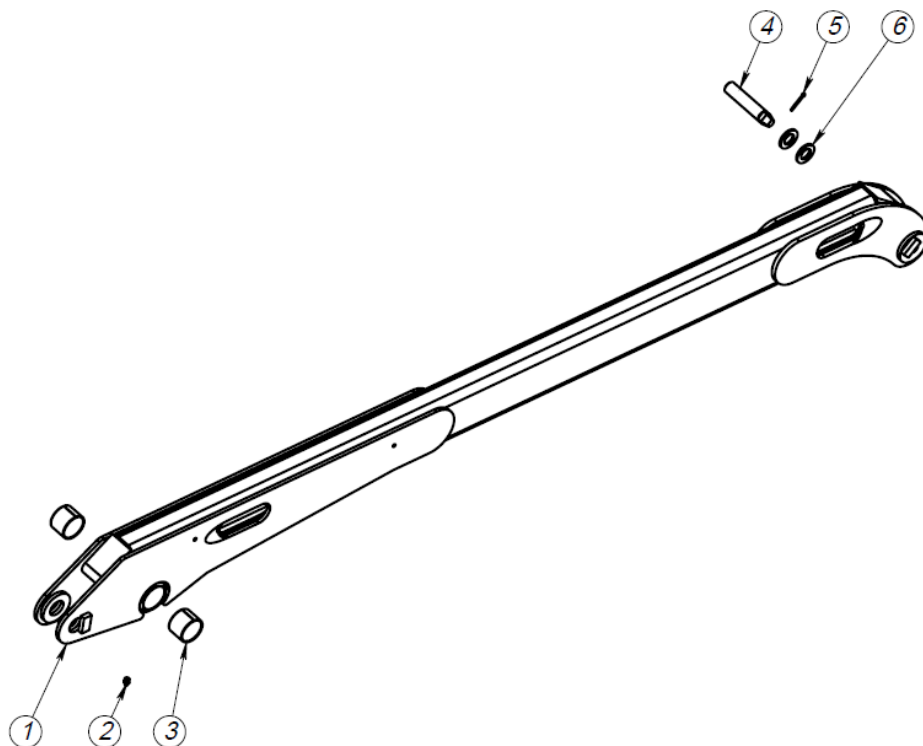
Original instruction

1.3 MAINBOOM

REF: 190426
MAINBOOM C4,6/C5,1

ITEM NO.	PART NUMBER	DESCRIPTION	TYPE	QTY.
1	FMWA00329	Mainboom C4,6 G1 ASM		1
1	FMWA00329-01	Mainboom C5,1 G1 ASM		1
2	FMWP00083	Ring	PLT6-42x42	6
3	FMWP00001	Pin	GrndØ35h9 - 115	1
4	FMWP00080	Washer	PLT8 - D70	2
5	FMWS00021-010	Shaft	GrndØ50 - 187(142)	1
6	FMWS00021-050	Shaft	GrndØ50 - 162(142)	1
7	FMWP00083-01	Ring	STØ42,3x3,4 - 12	2
8	FMWP00001-030	Pin	GrndØ35h9 - 125	1
9	FMWP00001-040	Pin	GrndØ35h9 - 135	2
10	313143	Hydraulic cylinder	90/40 - 400	2
	37313940	Sealing kit	Hydr cyl 90/40	2
11	907252	Nut Hex. Nylock	M24 DIN 985	2
12	908109	Pin Split	4x45 DIN94	4

Original instruction

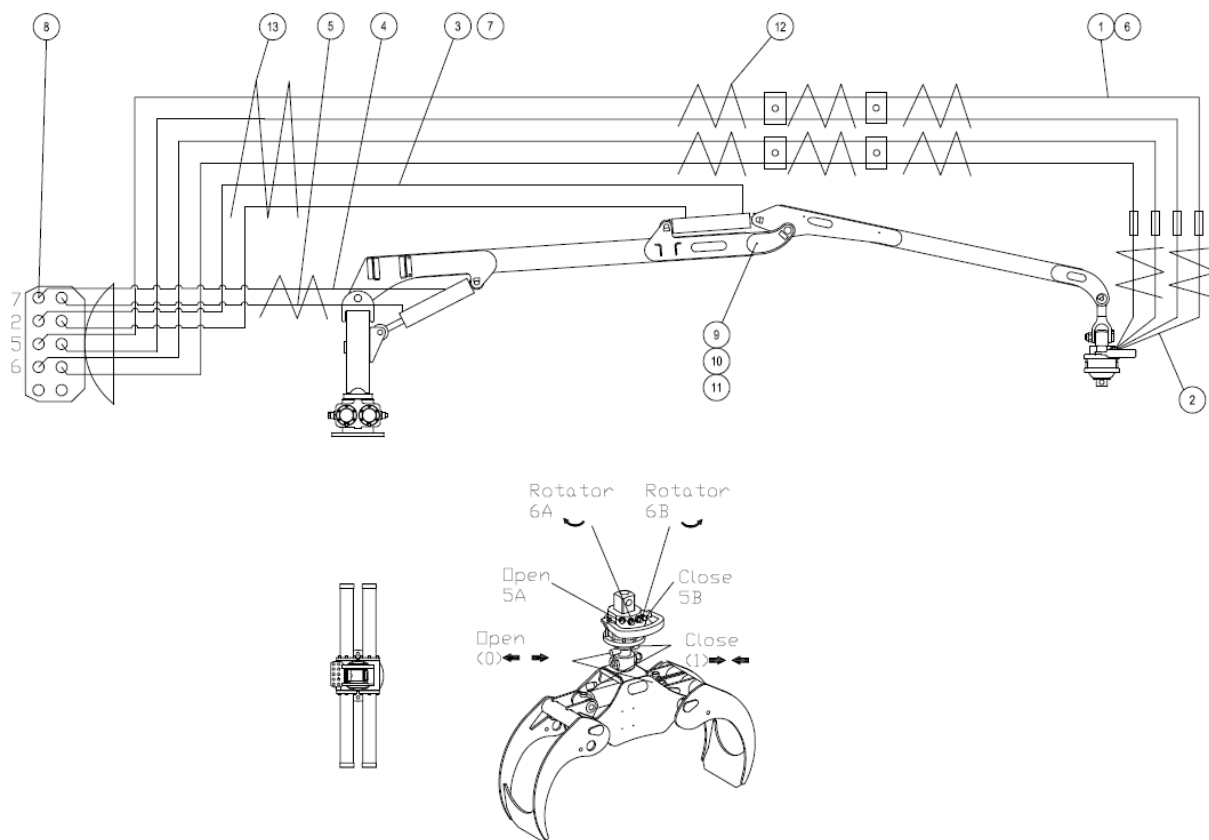
13	930105	Lubricating nipple	1/8" DIN 71412	1
14	909150	Slide bearing	50-55-40 P DIN 1494	2

REF: 190426
1.4 OUTERBOOM

REF: 190426
OUTERBOOM C4,6/C5,1

ITEM NO.	PART NUMBER	DESCRIPTION	TYPE	QTY.
1	FMWA00330	Outer Boom C4,6 G1 ASM	C4,6	1
1	FMWA00330-01	Outer Boom C5,1 G1 ASM	C5,1	1
2	930105	Lubricating nipple	1/8" DIN 71412	1
3	909150	Slide Bearing	50-55-40 P DIN 1494	2
4	FMWP00167-02	Pin	Grnd \varnothing 25 - 130	1
5	908108	Pin Split	4x32 DIN 94	1
6	908275	Washer flat	M24 fzb DIN 125	2

REF: 190426

Original instruction

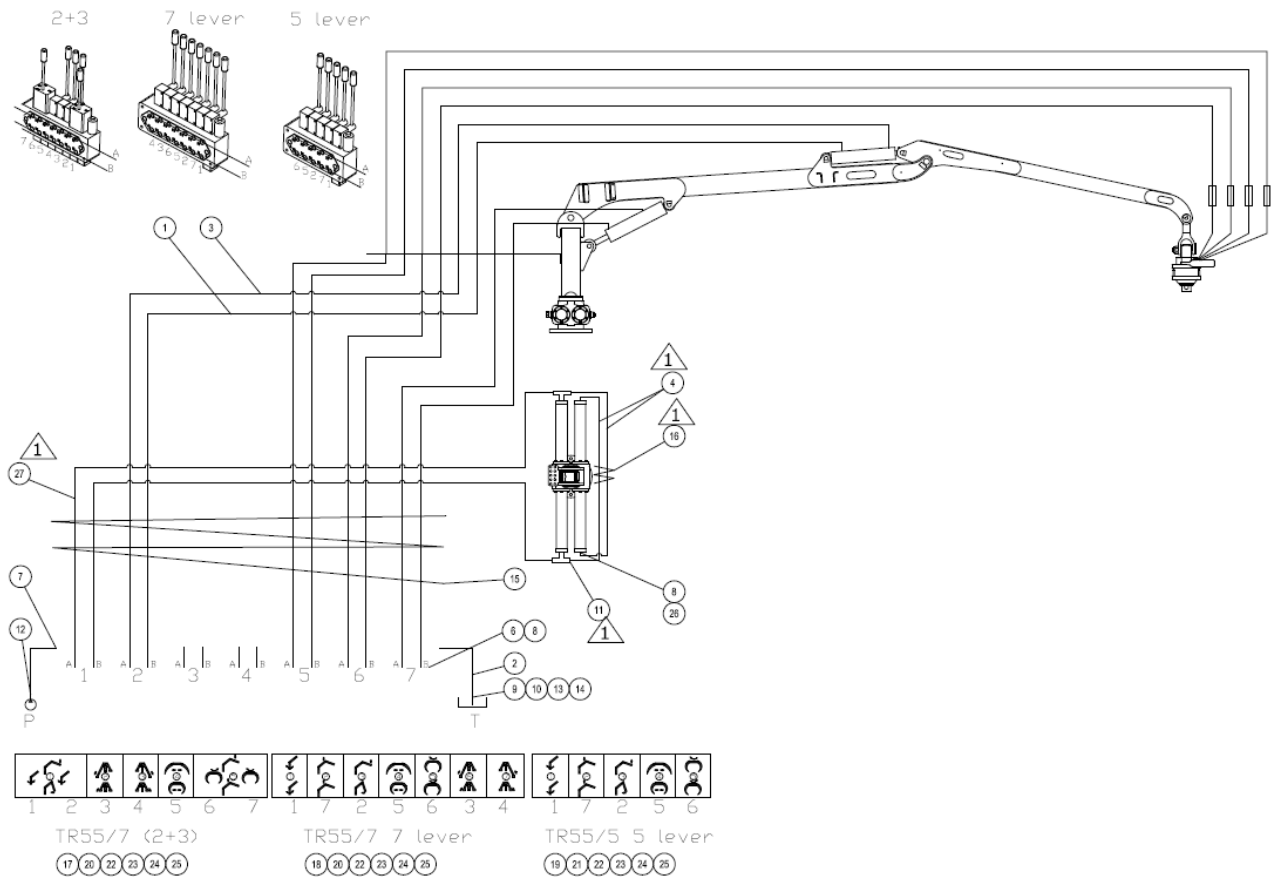
2 HYDRAULIC SCHEMES
2.1 HYDRAULIC SCHEME C4,6/C5,1 G1

REF: 190426
HYDRAULIC SCHEME FMWH00020-01/-02, C4,6/C5,1G1

ITEM NO.	PART NUMBER	DESCRIPTION	TYPE	REF: 190426	
				-01 Qty. C4,6	-02 Qty. C5,1
1	FMWH00256	H-hose	42010606-3/8(5400)-42020606	4	-
2	FMWH00257	H-hose	42010606-3/8(800)-42030606	4	4
3	FMWH00538	H-hose	42010606-3/8(3200)-42010606	2	-
4	FMWH00240	H-hose	42010606-3/8(1200)-42010606	1	1
5	FMWH00241	H-hose	42010606-3/8(900)-42030606	1	1
6	FMWH00258	H-hose	42010606-3/8(5900)-42020606	-	4
7	FMWH00239	H-hose	42010606-3/8(3500)-42010606	-	2
8	914750	Cartridge nipple	7090-06-06; G3/8"Mx3/8"M	8	8
9	914564	Clip double	5390-42-18; 2xd18	4	4
10	914566	Cover plate	5394-12-01; GR2	4	4
11	906165	Bolt Hex. Cap	M8x40 DIN 933	4	4
12	930320	SPIRO PIPE	ø 32x3 mm yellow	4m	4m
13	930330	SPIRO PIPE	ø 50x3,5 mm yellow	1m	1m

REF: 190426

Original instruction

2.2 HYDRAULIC SCHEME WITH CONTROL LEVER VALVE C4,6/ C5,1 G1



REF: 190426

HYDRAULIC SCHEME FMWH00020-03/-04/-05, C4,6/C5,1 G1

ITEM NO.	PART NUMBER	DESCRIPTION	TYPE	-03	-04	-05	-06	-07	-08
				2+3 lev	7lev	5lev	2+3 lev	7lev	5lev
				C4,6/C5,1	C4,6/C5,1	C4,6/C5,1	C4,6 S	C4,6 S	C4,6 S
1	FMWH00300	H-hose	42010606-3/8(2400)-42010606	4	4	4	4	4	4
2	FMWH00302	H-hose	42010808-1/2(1500)42020808	2	2	2	2	2	2
3	FMWH00319	H-hose	42010606-3/8(2350)-42010606	4	4	4	4	4	4
4	FMWH00597	H-hose	42030404-1/4(1280)-42030404	2	2	2	-	-	-
5				-	-	-	-	-	-
6	914716	Straight nipple	7002-06-06	14	14	10	14	14	10
7	914718	Straight nipple	7002-06-08	2	2	2	2	2	2
8	914582	Rubber seal	5601-01-06	20	20	16	20	20	16
9	914584	Rubber seal	5601-01-08	2	2	2	2	2	2
10	914570	Bayonett male	5550-02-08 M 1/2"	2	2	2	2	2	2
11	914783	T- nipple	7403-04-04 1/4"UF x UF x IRT	2	2	2	2	2	2
12	925032	Lable No2 Pump Red		1	1	1	1	1	1
13	925034	Lable No3 Tank Blue		1	1	1	1	1	1
14	922227	Heat-shrink tubing	SRIF 25,4-12,7	90mm	90mm	90mm	90mm	90mm	90mm
15	930330	SPIRO PIPE	ø 50x3,5 mm yellow	3m	3m	3m	3m	3m	3m
16	930320	SPIRO PIPE	ø 32x3 mm yellow	1m	1m	1m	1m	1m	1m
17	925295	Label Op. scheme 2+3 handle	A1743	1	-	-	1	-	-

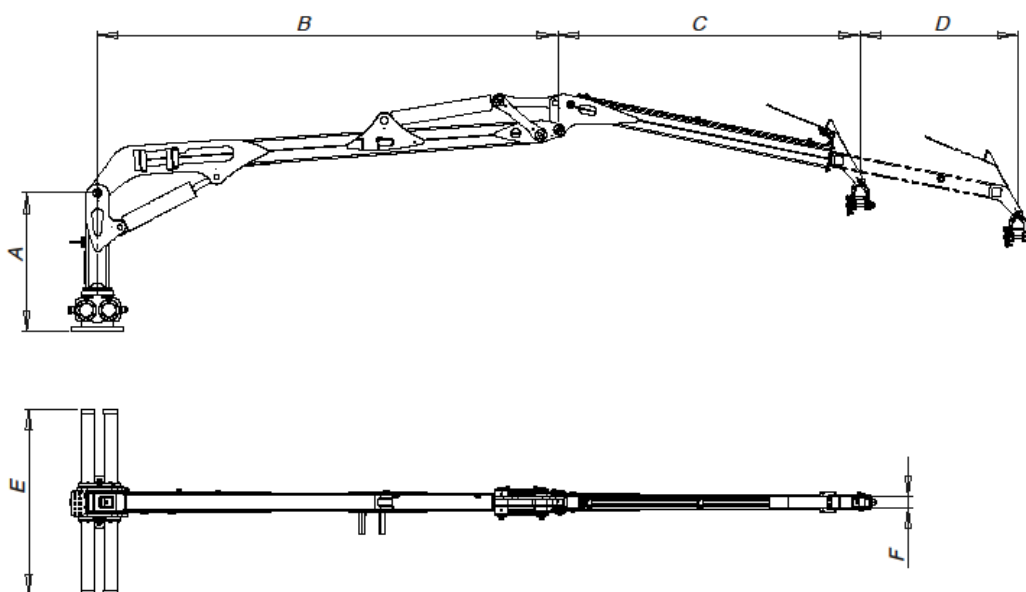
Original instruction

18	925305	Label Op. scheme 7 handle	A1745	-	1	-	-	1	-
19	925473	Lable Op. scheme 5 handle	A1798	-	-	1	-	-	1
20	FMWS00543	Valve bracket		1	1	-	1	1	-
21	FMWS00544	Valve bracket		-	-	1	-	-	1
22	909162	Bolt Hex. Cap	M8x60 DIN 931	3	3	3	3	3	3
23	907212	Nut Hex	M8 DIN 934	3	3	3	3	3	3
24	908221	Washer Flat	M8 DIN 125	6	6	6	6	6	6
25	908615	Washer Spring	M8 DIN 127	3	3	3	3	3	3
26	914712	Straight nipple	7002-04-06	4	4	4	2	2	2
27	FMWH00464	H-hose	42010404-1/4(2500)-42030404	2	2	2	2	2	2

REF: 190426

3 TECHNICAL SPECIFICATIONS

3.1 MAIN PARTS & DIMENSIONS



Picture: Boom sytem with boom extension

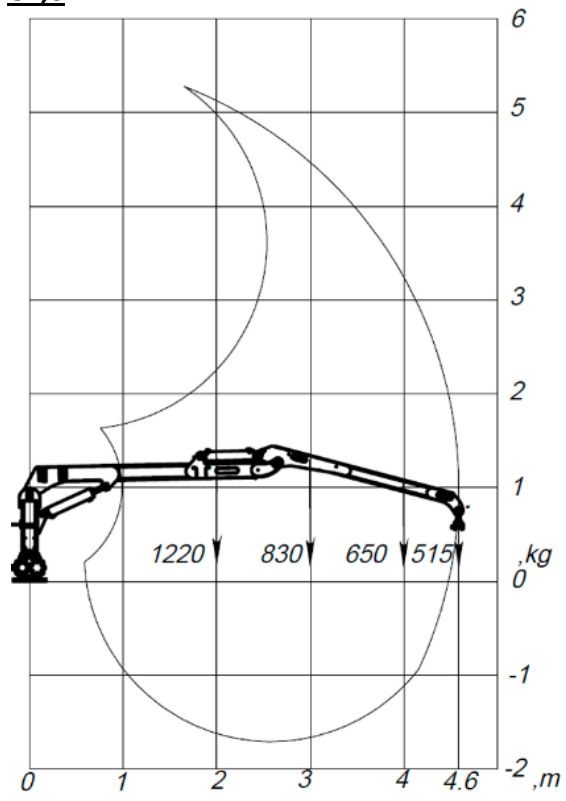
ITEM	DESCRIPTION
A	Turnhouse
B	Main boom
C	Outerboom

ITEM	DIMENSIONS (mm)	
	C4,6	C5,1
A	945	945
B	2655	2955
C	1930	2125
D	-	-
E	1265	1265
F	60	60

Original instruction

3.2 TECHNICAL DATA

FOREST CRANE	C4,6S	C4,6D	C5,1
Lifting capacity net, kNm	23	23	24
Slewing torque, kNm	4,4	8,8	8,8
Slewing angle, °	360	360	360
Reach, m	4,6	4,6	5,1
Telescopic stroke length, m	-	-	-
Recommended flow, l/min	20-50	20-50	20-50
Working pressure, bar	190	190	190
Weight of loader, kg • excl. Grapple, rotator, link	420	450	465
Weight, kg incl. FG 0.12, rotator,link	490	520	535
Weight, kg incl. FG 0.16, rotator,link	515	545	560
Weight, kg incl. FG 0.20, rotator,link	555	585	600
Lifting force kg/max reach • excl. Grapple, rotator, link	515	515	490

3.3 LIFTING DIAGRAMS
C4,6

C5,1
