



**FARMA**®

**Grapple Skidder**

**1000 TM**

**1000 TMT**

**1000 THT**

EN\_S1.1-2018W50

Original instruction

**SPARE PARTS**

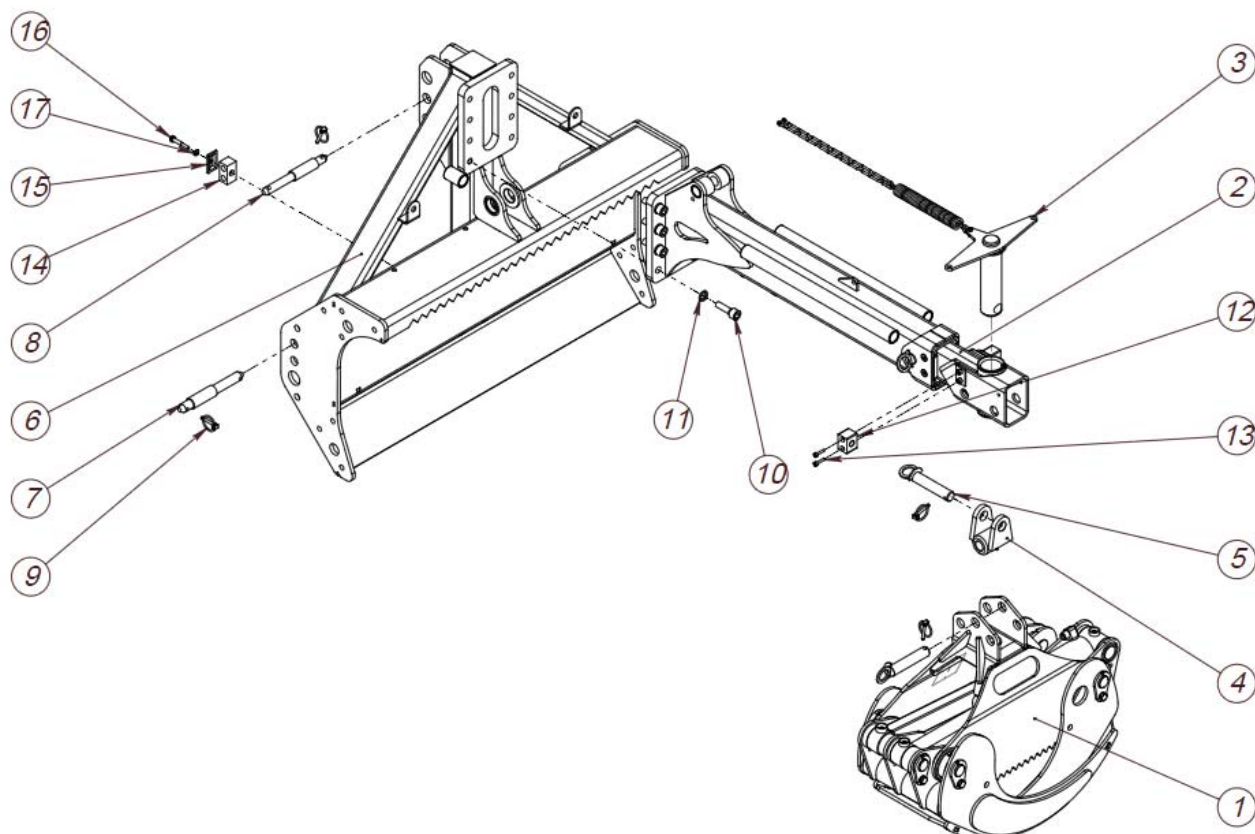
# SPARE PARTS

## Grapple skidder 1000

1	SPARE PARTS .....	2
1.1	GRAPPLE SKIDDER 1000 ASM .....	2
1.2	GRAPPLE 010 FOR SKIDDER ASM.....	3
1.3	BOOM ASM .....	5
1.4	TELESCOPE ASM .....	6
2	TECHNICAL SPECIFICATIONS .....	8
2.1	DIMENSIONS .....	8
2.2	TECHNICAL DATA.....	9
2.3	LUBRICATION SCHEDULE.....	9
3	HYDRAULIC SCHEME .....	10
3.1	HYDRAULIC SCHEME .....	10
3.2	HYDRAULIC SCHEME WINCH GRAPPLE SKIDDER.....	11
4	EC-DECLARATION OF CONFORMITY (SAMPLE).....	12

## 1 SPARE PARTS

### 1.1 GRAPPLE SKIDDER 1000 ASM



REF: 170607

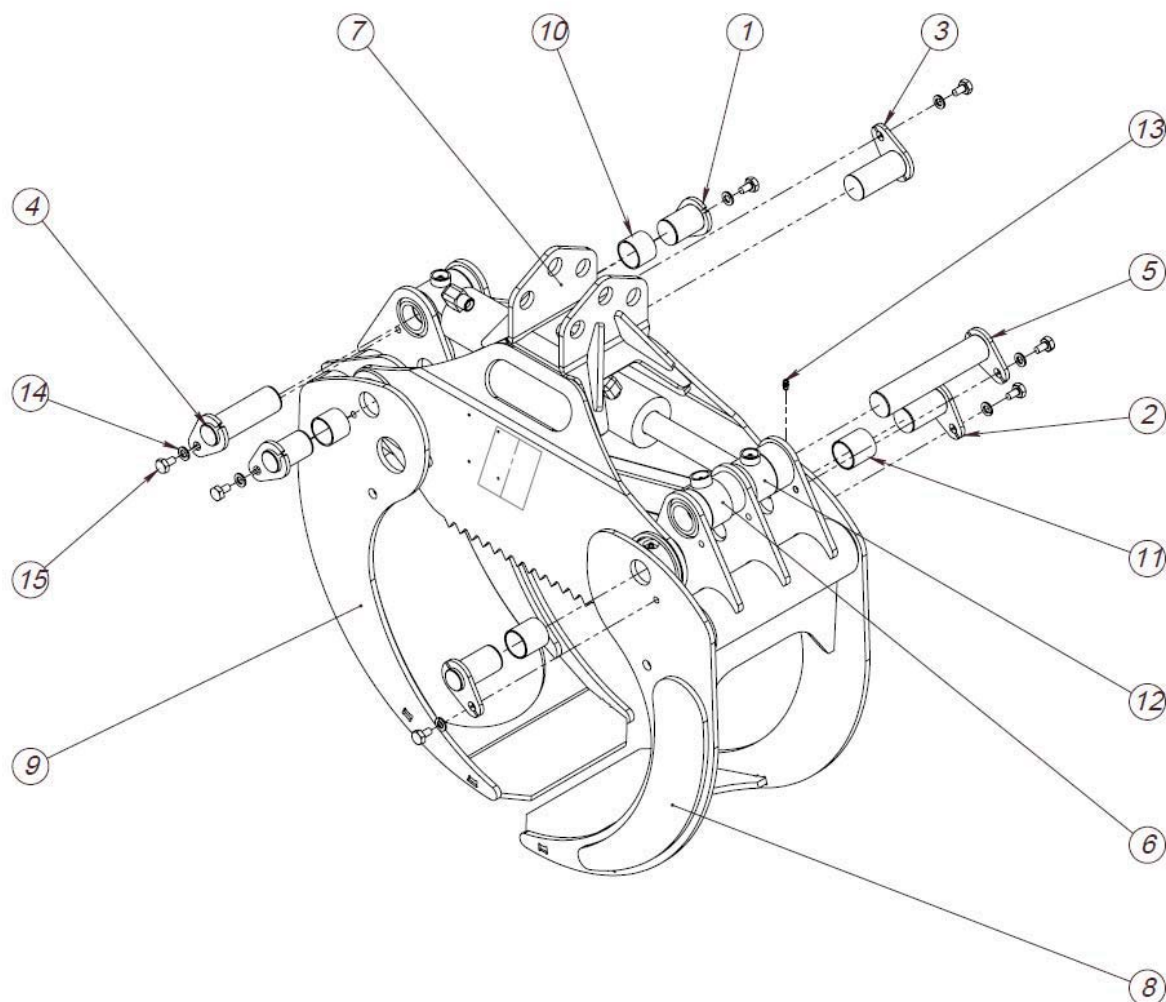
#### Grapple skidder 1000 ASM, (FMWA00466)

ITEM NO.	PART NUMBER	DESCRIPTION	TYPE	QTY.
1	FMWA00429	Grapple 0,16 sg	-	1
2	FMWA00467	Boom ASM, Grapple skidder	Manually extendable	1
3	FMWA00470	Shaft ASM, Grapple skidder	-	1
4	FMWA00478	Link ASM, Grapple side	-	1
5	FMWS00745	Parking leg shaft	d25-120 (117)	2
6	FMWS01048	Base, Grapple Skidder	-	1
7	FMWP04028-01	Pin	GrndØ30-208	2
8	FMWP04030-01	Pin	RNDØ28-208	1
9	920230	Pin Linch	6x32x45 DIN 11023	5



Original instruction

10	906227	Bolt Hex. Socket	-	8
11	906539	Nord-lock washer	M16 DIN 25201	8
12	914506	Clip single	14.03.5390	2
13	906513	Bolt Hex. Socket	M6x25 DIN 912	4
14	914562	Clip double	5390-42-14	1
15	914566	Plate	1.12.5394	1
16	906166	Bolt Hex. Cap	M8x50 DIN 931	1
17	908615	Washer Spring	M8 fzb DIN 127	1

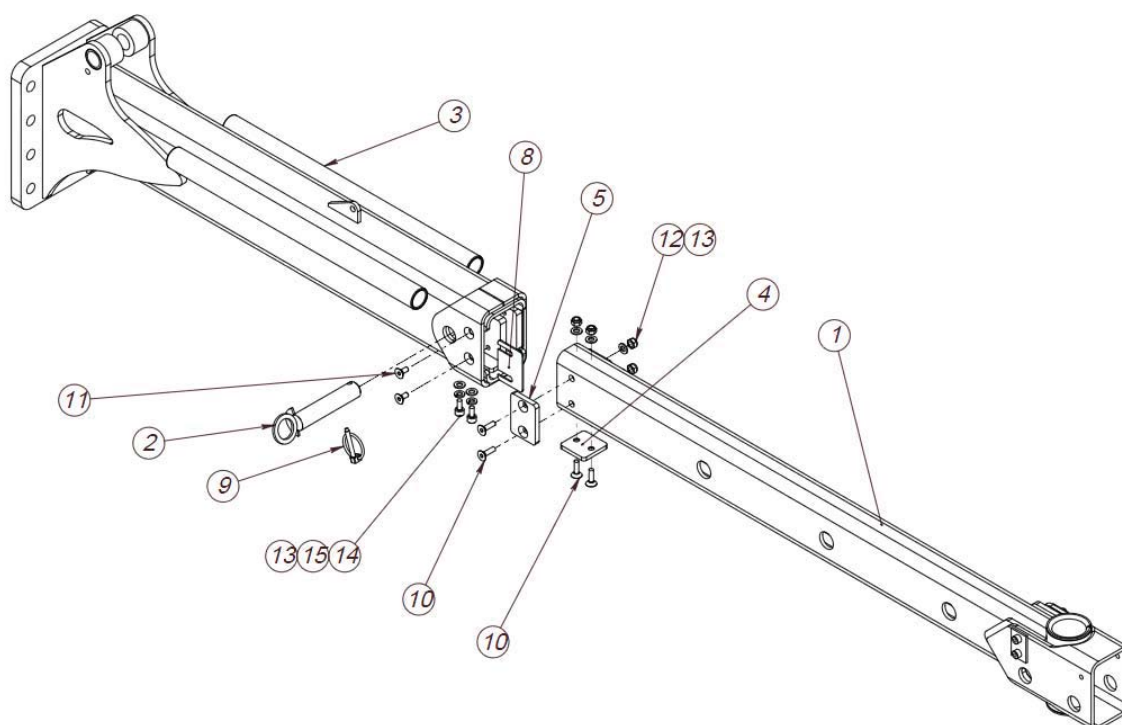
**REF: 170607**
**1.2 GRAPPLE 010 FOR SKIDDER ASM**

**REF: 170607**

**Grapple 010 for skidder ASM, (FMWA00429)**

ITEM NO.	PART NUMBER	DESCRIPTION	TYPE	QTY.
1	FMWS00104	Shaft	GrndØ35h9 - 60(49)	2
2	FMWS00104-01	Shaft	GrndØ35h9 - 71(60)	2
3	FMWS00105	Shaft	GrndØ35h9 - 82(76)	1
4	FMWS00106-01	Shaft	GrndØ35h9-109(103)	1
5	FMWS00773	Shaft compl.	Grnd35-188(178)	1
6	FMWS00774	Parallel-link 0,16 G2.1	L=502	1
7	FMWS00957	Yoke 0,16sg	-	1
8	FMWS00958	Jaw outer grapple 0,16 sg	-	1
9	FMWS00959	Jaw inner grapple 0,16 sg	-	1
10	909145	Slide bearing	35 39 30 DIN 1494	4
11	909146	Slide bearing	35 39 40 DIN 1494	2
12	313109	Hydraulic cylinder	60/30 - 230	1
-	37313630	Sealing kit Hydr cyl 60/30	-	-
13	930107	Grease nipple	M6 DIN 71412	6
14	908620	Washer Spring	M10 fzb DIN 127	7
15	906287	Bolt Hex. Cap	M10x16 DIN 933	7

**REF: 170607**

### 1.3 BOOM ASM

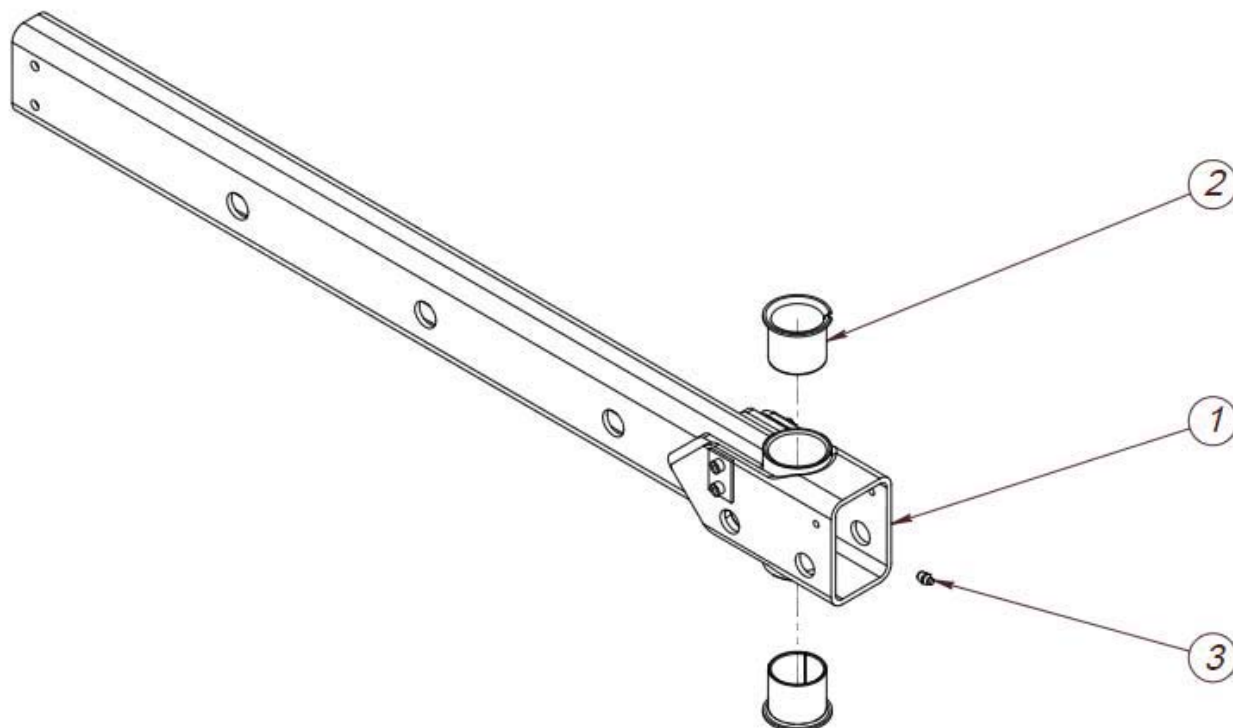


REF: 170607

#### Manually extendable boom ASM (FMWA00467)

ITEM NO.	PART NUMBER	DESCRIPTION	TYPE	QTY.
1	FMWA00477	Telescope ASM, Grapple skidder	Manually extendable	1
2	FMWS00745	Parking leg shaft	d25-120 (117)	1
3	FMWS01050	Boom, Grapple Skidder		1
4	FMWP06002	Plate	PLT5 - 50x50	1
5	FMWP06003	Plate	PLT8 - 70x50	2
6	FMWP06004	Plate	PLT5- 100x50	1
7	FMWP06005	Plate	PLT12 - 70x50	2
8	FMWP06006	Plate	PLT2 - 70x50	2
9	920230	Pin Linch	6x32x45 DIN11023	1
10	906179	Hex. socket screw	M8x25 DIN7991	6
11	906178	Bolt Hex. Socket	M8x16 DIN7991	4
12	907213	Nut Hex. Nylock	M8 fzb DIN985	6
13	908221	Washer flat	M8 fzb DIN125	8
14	916507	Hex. Socket Screw	M8x16 DIN912	2
15	908615	Washer Spring	M8 fzb DIN127	2

1.4 TELESCOPE ASM



REF: 170607

Telescope ASM (FMWA00477)

ITEM NO.	PART NUMBER	DESCRIPTION	TYPE	QTY.
1	FMWA00477	Telescope ASM, Grapple skidder	Manually extendable	1
2	909153	Slide bearing	50 55 50 M	2
3	930105	Grease nipple	1/8" DIN 71412	1

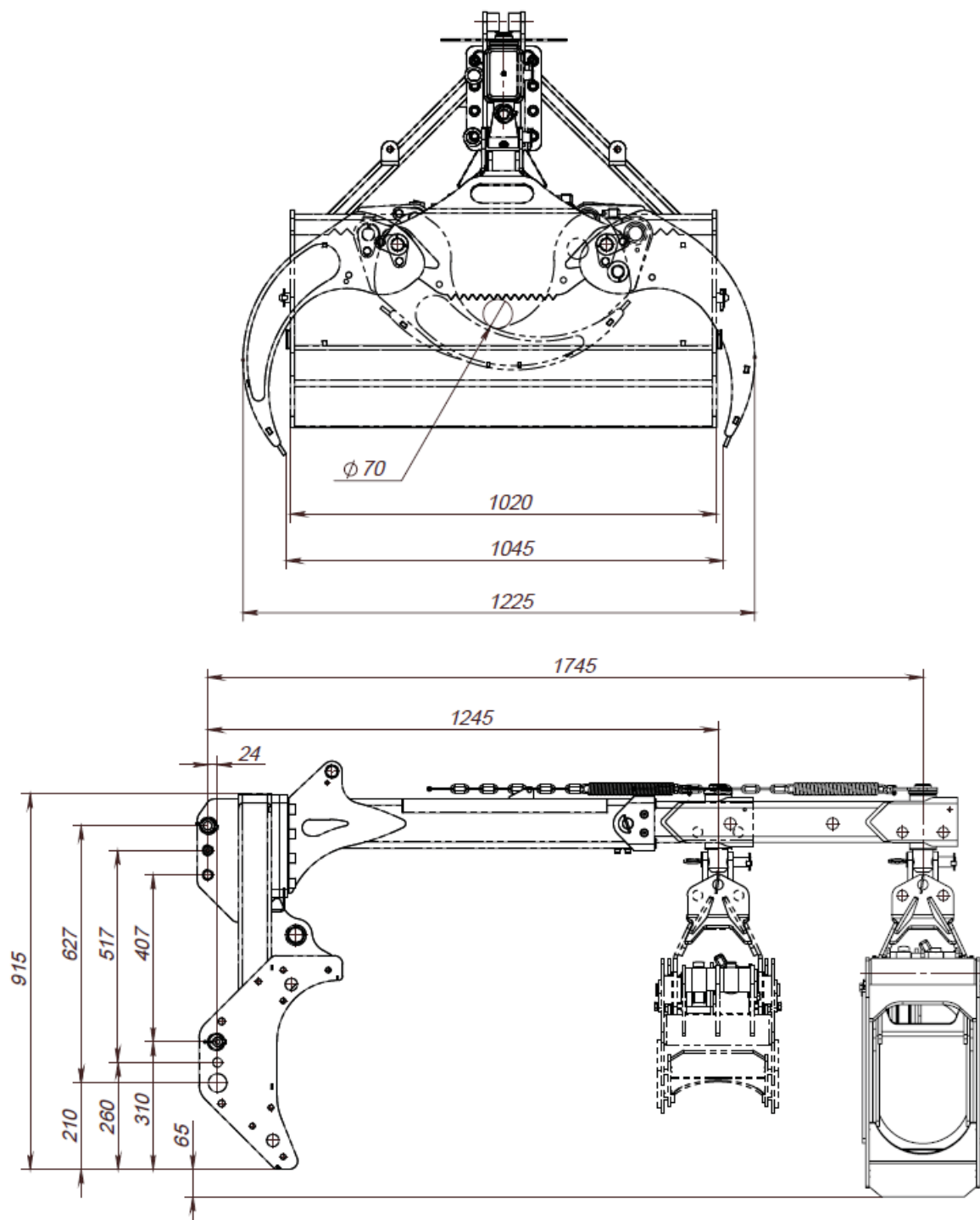
REF: 170607





## 2 TECHNICAL SPECIFICATIONS

### 2.1 DIMENSIONS



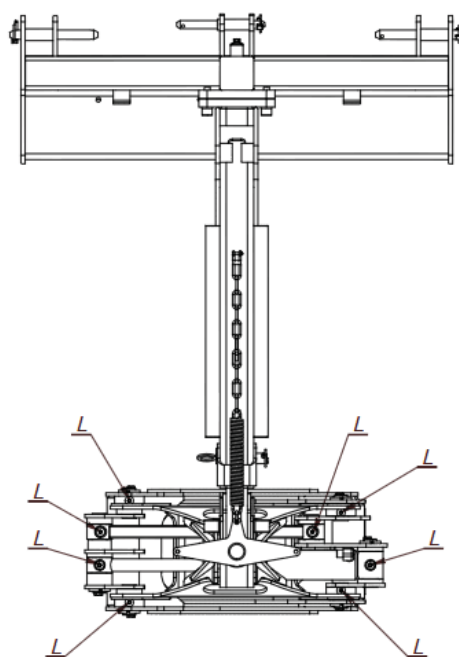
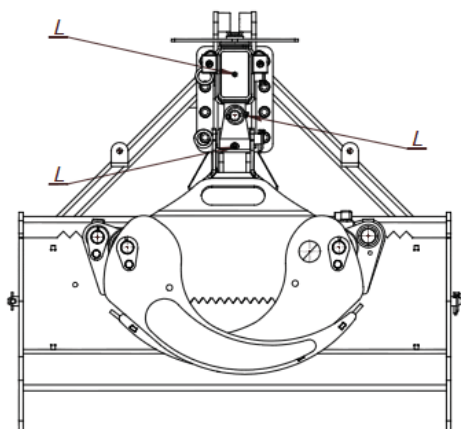
REF: 170919

## 2.2 TECHNICAL DATA

Skidder 1000	
Gripping force arms tip-tip (kN)	7,0
Max working pressure (MPa)	17,5
Weight (Kg)	224
Turning angle (°)	90
Telescopic extension (mm)	500
Plate width (mm)	1020
Linkage category (Hp)	<60

REF: from WEB 170628

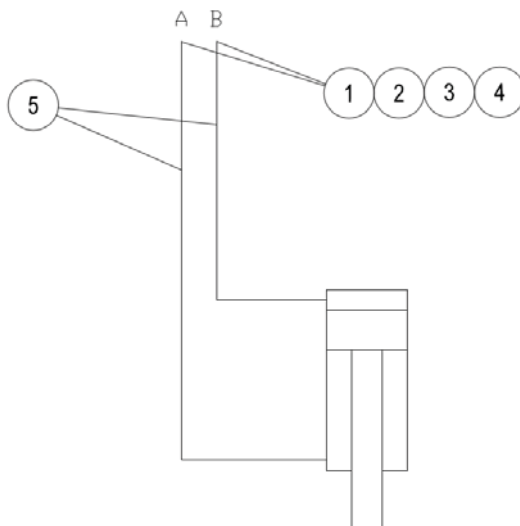
## 2.3 LUBRICATION SCHEDULE



REF:170919

### 3 HYDRAULIC SCHEME

#### 3.1 HYDRAULIC SCHEME



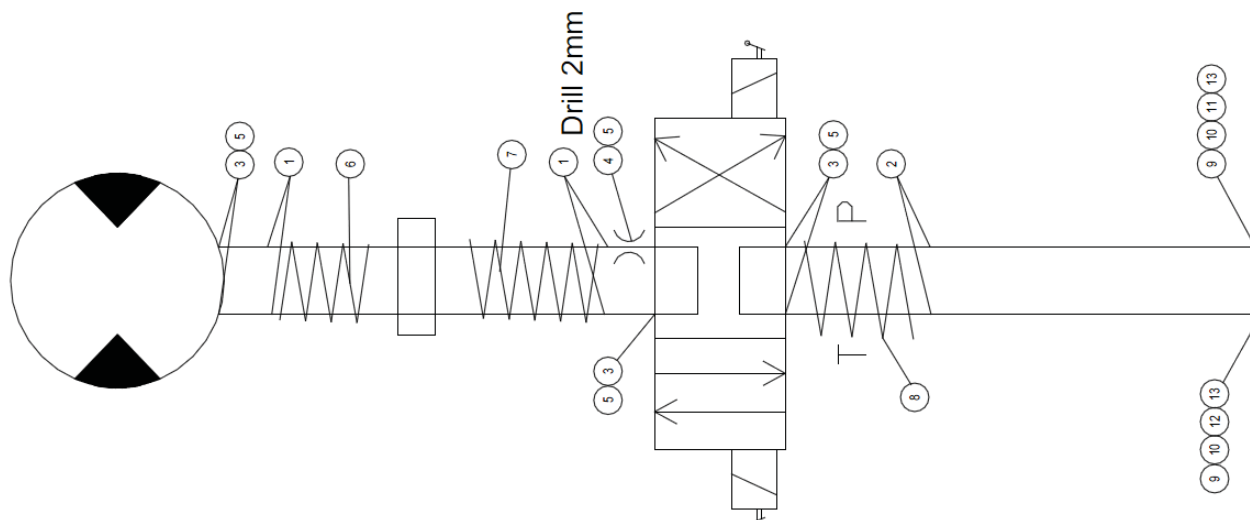
REF:170607

#### Hydraulic scheme (FMWH00040)

ITEM NO.	PART NUMBER	DESCRIPTION	TYPE	QTY.
1	914718	Straight nipple	7002-06-08 R3/8"UF x R1/2"UF	2
2	914584	Rubber bonded seal	1/2" 5601-01-08	2
3	914570	Bayonet coupling	5550-02-08 M 1/2" MALE ISO-A	2
4	914579	Dust cover	5550-04-08 Black	2
5	FMWH00734	H-hose	42010606-3/8(4500)-42010606	2
6	930340	SPIRO PIPE	ø 16/13,4 mm black	8,1m

REF: 170909

### 3.2 HYDRAULIC SCHEME WINCH GRAPPLE SKIDDER



REF:170919

#### Winch hydraulic scheme (FMWH00040-03)

ITEM NO.	PART NUMBER	DESCRIPTION	TYPE	QTY.
1	FMWH00747	Hose	42030606-3/8(1000)-42030606	2
2	FMWH00748	Hose	42010606-3/8(2000)-42020806	2
3	914718	Straight nipple	7002-06-08	5
4	914721	Straight nipple (choke)	2mm 7092-06-08	1
5	914584	Rubber seal	5601-01-08 R1/2"	8
6	930320	Spiro pipe	32x3	0,5m
7	930320	Spiro pipe	32x3	0,4m
8	930320	Spiro pipe	32x3	0,8m
9	914570	Bayonett male	5550-02-08 M 1/2"	2
10	914579	Dust cover	5550-04-08; 1/2" F Black	2
11	925032	Label No2 Pump Red		1
12	925034	Label No3 Tank Blue		1
13	922227	Heat-shrink tubing	SRIF 25,4-12,7	0,18m

REF:170919

**4 EC-DECLARATION OF CONFORMITY (SAMPLE)*****EC Declaration of Conformity of the Machinery***

Manufacturer:

**Fors MW AS**

Tule 30

76505 Saue

Estonia

The technical file is compiled by **Ahti Talts**;

I hereby confirm that this equipment, **FARMA Grapple Skidder 1000 TM/THT/TMT**:

Trade mark: **FARMA**

Function: **Forestry Grapple Skidder**

Model: **1000 TM/THT/TMT**

Type: **FS** variant: **1000 TM/THT/TMT**

Serial no.: **FSTM01x01xxxxx/FSTM01x01xxxxx/FSTM01x01xxxxx**

Trade name: **FARMA Grapple Skidder 1000 TM/THT/TMT**

Manufacture year: **xxxx**

is manufactured accordingly to demands in **directive 2006/42/EC** and therefore can be used mounted together with other equipment to provide a complete machine.

The equipment can't be used before the machine or the formation that it will take place in, is accordingly to the demands of the EC Machinery Directive.

For the guarantee and safety, it is of uttermost significance that the instruction book is read before the machine is put into service.

Saue, Estonia

2018-12-10



Ahti Talts

CEO